

## INSTALLATION INSTRUCTIONS AND PARTS LIST

APPLICATION: MODEL 481334 DUALY BOX EXTENSION SIDE ENTRY STEPS:  
2013 AND NEWER DODGE RAM 3500 SERIES DUAL REAR WHEEL PICKUPS

1. READ INSTRUCTIONS COMPLETELY AND CHECK TO MAKE SURE THAT ALL REQUIRED PARTS (LISTED ON SERVICE PARTS LIST) ARE ON HAND BEFORE STARTING THE INSTALLATION.
2. PEEL AWAY THE PROTECTIVE VINYL COVERING AND CLEAN THE MUD GUARD TO REMOVE ANY VINYL COVERING RESIDUE. (A GOOD GLASS CLEANER IS SUGGESTED).

### PASSENGER SIDE INSTALLATION

3. PREPARE THE VEHICLE FOR SIDE ENTRY STEP INSTALLATION AS FOLLOWS:
  - 3.1. REMOVE THE BOX HOLD DOWN BOLTS (18mm WRENCH) FROM THE FRONT AND SECOND BOX STIFFENER AND ATTACH THE UPPER BOX MOUNT BRACKETS (ITEM #14) AS SHOWN. **FIG 1 .**
  - 3.2. REMOVE THE PLASTIC ROCK GUARD ON THE LOWER FRONT OF EACH SIDE OF THE BOX. YOU CAN DO THIS BY REMOVING THE (5) PLASTIC RETAINER PINS. THIS PART WILL NOT BE REUSED.
4. MOUNT THE SES / BRACE WLDMT ASSY (ITEM #1 THRU #13) AS FOLLOWS.
  - 4.1. ROTATE THE FRONT & REAR OUTBOARD BRACES (ITEM #16 & #32) TO THE UPRIGHT POSITION AND INSTALL 5/16" X 1.00" CARRIAGE BOLTS (ITEM #26), 5/16" FLAT WASHER (ITEM #28) AND 5/16" SERRATED FLANGE NUT (ITEM #27).
  - 4.2. APPLY TRIM (ITEM #19) TO THE OUTBOARD AND TOP EDGE OF THE MUD GUARD AND FORM THE MUD GUARD (ITEM #17&18) TO MATCH THE CONTOUR OF THE WHEEL WELL FLANGE. ATTACH THE MUD GUARD TO THE REAR SUPPORT BRACE (ITEM #11) ON THE STEP PLATE USING #10-24 X 3/4" CARRIAGE BOLTS (ITEM #8) AND #10-24 SERRATED FLANGE NUTS (ITEM #9).
  - 4.3. ASSEMBLE THE 3/8" THREADED STUDS AND FASTENERS TO THE BRACE PLATES.
    - 4.3.1. INSTALL 3/8" SERRATED FLANGE NUTS (ITEM #24) **BACKWARDS** ON EACH END OF THE STUDS (ITEM #20 & #21) SO THAT 5/8" OF THREAD IS EXPOSED.
    - 4.3.2. ON ONE END OF THE FULL THREADED STUD AND ON THE SHORT THREADED END OF THE DOUBLE ENDED STUD, INSTALL A 3/8" FLAT WASHER (ITEM #25). THEN, PUSH THE 3/4" THICK RUBBER WASHER (ITEM #22) AND FLAT WASHER TIGHT UP AGAINST THE SERRATED FLANGE NUT. **(THE END OF THE STUD MUST BE RECESSED BACK IN THE HOLE OF THE RUBBER WASHER APPROXIMATELY 3/16")**.
    - 4.3.3. INSTALL THE OTHER END OF THE THREADED STUD THRU A HOLE IN THE BRACE PLATE. **(ON 3500 SERIES TRUCKS: USE THE FRONT BOTTOM HOLE ON BOTH VERTICAL SUPPORT PLATES. ON 4 X 2 APPLICATIONS, THE 8.50" LONG STUDS ARE USED ON BOTH FRONT AND REAR )**. INSTALL A 3/8" SERRATED FLANGE NUT (ITEM #24) AS SHOWN.
  - 4.4. POSITION THE ASSEMBLY UP UNDER THE ROCKER PANEL AND ATTACH THE TOP OF THE BRACES TO THE BOX MOUNT BRACKETS USING A 3/8" X 1.00" CARRIAGE BOLT (ITEM #23), 3/8" FLAT WASHER (ITEM #25) AND 3/8" SERRATED FLANGE NUT (ITEM #24).



## INSTALLATION INSTRUCTIONS AND PARTS LIST

APPLICATION: MODEL 481334 DUALY BOX EXTENSION SIDE ENTRY STEPS:  
2013 AND NEWER DODGE RAM 3500 SERIES DUAL REAR WHEEL PICKUPS

4.5. ATTACH THE FRONT, AND REAR OUTBOARD BRACES TO THE BOX STIFFENERS.

4.5.1. ON THE REAR: DRILL A 17/64" DIA. HOLE THRU THE BOTTOM OF THE STIFFENER AT ABOUT THE BEGINNING OF THE OUTBOARD RADIUS. INSTALL A 5/16" X 3/4" HEX WASHER HEAD SCREW (ITEM # 29) AND 5/16 FLAT WASHER (ITEM #28) UP THRU THE HOLE IN TOP FLAT SWAGE OF THE REAR BRACE AND INTO THE PRE-DRILLED HOLE.

4.5.2. POSITION THE FRONT BRACE SO THAT IT IS ON THE FLAT PORTION OF THE INNER BOX BRACE WALL, USE THE BRACE AS A DRILL TEMPLATE AND DRILL 2-11/32" HOLES, INSTALL A 5/16" X 1" CARRIAGE BOLTS (ITEM #26), 5/16" FLAT WASHER (ITEM #28), AND 5/16" SERRATED FLANGE NUT (ITEM #27), LEAVE FINGER TIGHT AT THIS POINT. (SEE FIGURE 1.)

5. FIT THE MUD SHIELD (ITEM # 30) ABOVE THE STEP PLATE. USING (4) 10-24 X 3/4" TRUSS HEAD SCREW AND 10-24 FLANGE NUT (ITEMS # 9 & 31) ATTACH THE MUD SHIELD TO THE TOP SIDE OF THE OUTER BOX SKIN AS SHOWN. TIGHTEN THESE SCREWS DOWN.

6. ALIGN THE STEP IN & OUT AND UP & DOWN SO THAT IT MATCHES THE CAB SIDE ENTRY STEP AND TIGHTEN ALL FASTENERS.

7. ADJUST THE FASTENERS ON THE DOUBLE ENDED FRONT STUD SO THAT THE RUBBER WASHER IS SNUG AGAINST THE SIDE OF THE FRAME. ADJUST THE FASTENERS ON THE REAR STUD SO THAT THE RUBBER WASHER IS SNUG AGAINST THE SIDE OF THE FRAME OR THE FRAME SPRING SHACKLE. LOCK THE STUDS BY TIGHTENING THE SERRATED FLANGE NUTS ON EITHER SIDE OF THE BRACE PLATE.

### DRIVERS SIDE INSTALLATION

8. THE DRIVERS SIDE INSTALLATION USES BRACKETS (ITEM #15).

8.1 REMOVE THE BOX HOLD DOWN BOLTS (18mm WRENCH) FROM THE FRONT AND SECOND BOX STIFFENER AND ATTACH THE UPPER BOX MOUNT BRACKET (ITEM #15) USING THE FACTORY 18mm BOLT.

8.2 REMOVE THE PLASTIC ROCK GUARD ON THE FRONT LOWER PART OF THE BOX. THIS PART WILL NOT BE REUSED.

9. REPEAT STEPS 4 THRU 8 FOR DRIVERS SIDE AS SHOWN. FIG 2.



## INSTALLATION INSTRUCTIONS AND PARTS LIST

APPLICATION: MODEL 481334 DUALY BOX EXTENSION SIDE ENTRY STEPS:  
2013 AND NEWER DODGE RAM 3500 SERIES DUAL REAR WHEEL PICKUPS

### SERVICE PARTS LIST

ITEM	PART NO.	QTY	DESCRIPTION
1	550040	1	STEP PLATE-SES,RH,DODGE RAM,LG BOX DUALY
2	550041	1	STEP PLATE-SES,LH,DODGE RAM,LG BOX DUALY
3	104250	1	END CAP-RH FRONT/LH REAR
4	104251	1	END CAP-LH FRONT/RH REAR
5	105500	2	PAD,SES,SPCL,5.50 X 20.00
6	104256	.5	TRIM-SEAL,SES,EXTRUDED
7	104257	6	NUT-HEX,SGL SELF THD,CAP WASHER,1/4"
8	104258	24	BOLT-CARRIAGE,SST,#10-24 X 3/4"LG
9	104261	32	NUT-SERRATED FLANGE,HEX,SST,#10-24
10	104530	16	WASHER-FLAT,NEOPRENE,.200SQ X .406 DIA
11	550051	2	BRACE-SPRT,RH/LH,1.13X1.38X11.75 LG
12	550279	1	BRACE WLDMT-TUBE,STEP MTG,RH,481034
13	550277	1	BRACE WLDMT-TUBE,STEP MTG,LH,481034
14	550284	2	BRACKET-MTG,RH,UPPER BOX MOUNT,481034
15	550283	2	BRACKET-MTG,LH,UPPER BOX MOUNT,481034
16	550259	2	BRACE-TUBE.STL,1.25 DIA,SWG @90, ONE END @90
17	550285	1	MUD GUARD-SST,LH,RAM,481034
18	550286	1	MUD GUARD-SST,RH,RAM,481034
19	544070	2	TRIM-MUD GUARD,33.00" LG
20	104697	2	STUD-FULL THD,3/8-16 UNC,RLD THD,3.00" LG,ZP
21	104698	4	STUD-DBL END,3/8-16 UNC,RLD THD,8.50" LG,ZP
22	102592	4	WSHR-RUBBER, BLK,.354 X 1.00 X .748
23	100053	4	BLT-CRG,3/8-16 UNC X 1.00,STL,ZP
24	100181	16	NUT-SERR FLG,HEX,STL,3/8-16 UNC,ZP
25	100062	8	WSHR-PL,A,STL,3/8,.438 X 1.00 X .083,ZP
26	100021	12	BLT-CRG,5/16-18 UNC X 1.00,STL,ZP
27	100178	12	NUT-SERR FLG,HEX,STL,5/16-18 UNC,ZP
28	100034	14	WSHR-PL,A,STL,5/16,.38 X .88 X .083,ZP
29	104267	2	SCREW-HEX WSHR HD,THD FMG,AB,5/16 X 3/4
30	550287	2	MUD SHIELD, LH/RH, BLACK, 481034
31	103775	8	SCREW-TRUSS HEAD,PHILLIPS, 10-24X3/4",SST
32	552292	2	1.25" PLATE BRACE, GALV.



SERVICE PARTS LIST

MODEL NO. - 481334

FRONT BOX STIFFENER

DRILL 2-11/32" HOLES IN THE INNER BOX BRACE

FRONT BOX STIFFENER

SECOND BOX STIFFENER

FACTORY BOX MOUNT BOLT

FACTORY SCREW

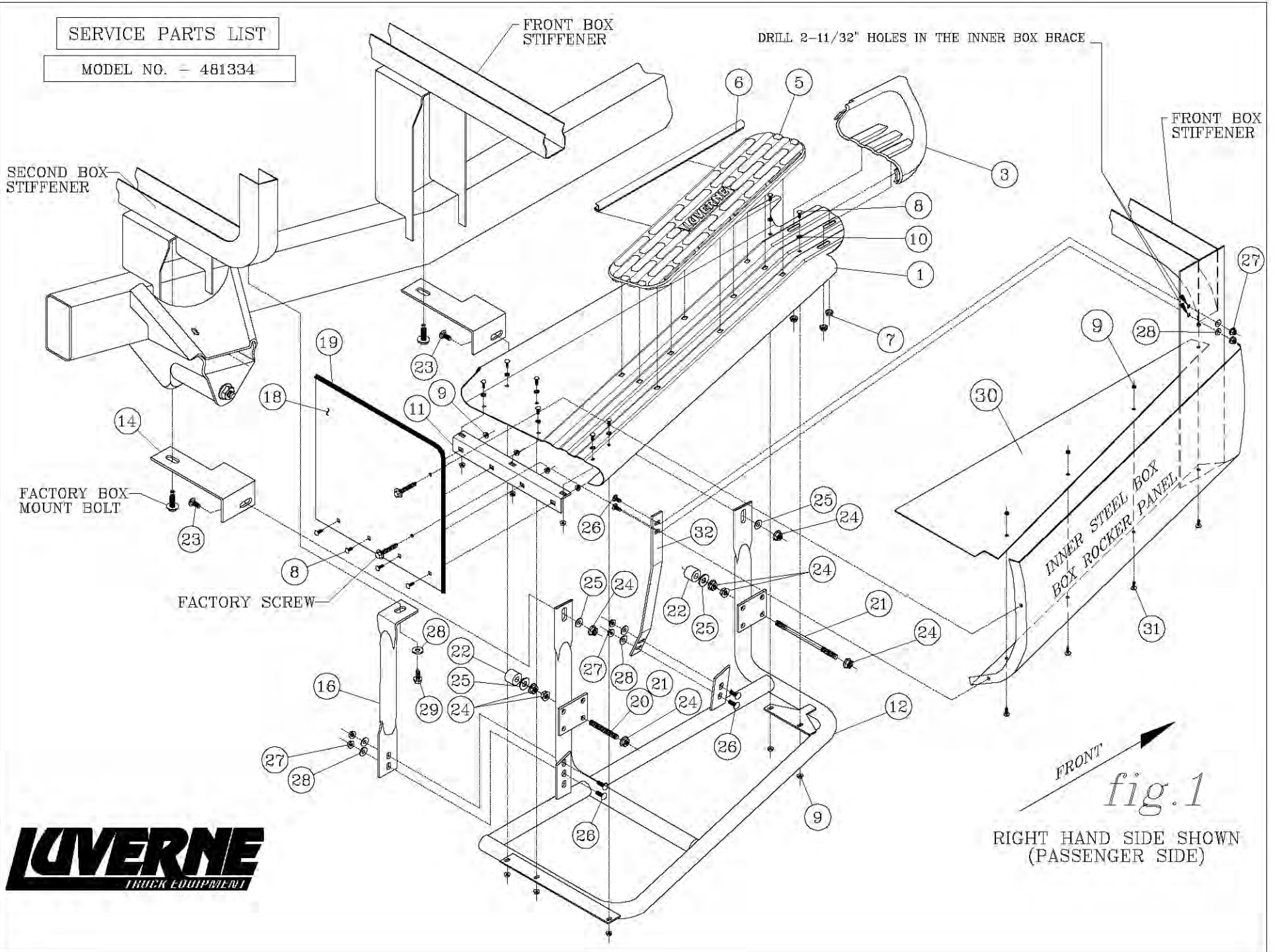
INNER STEEL BOX  
BOX ROCKER/PANEL

FRONT

fig. 1

RIGHT HAND SIDE SHOWN  
(PASSENGER SIDE)

**LIVERNE**  
TRUCK EQUIPMENT



SERVICE PARTS LIST

MODEL NO. - 481334

FRONT BOX STIFFENER

DRILL 2-11/32" HOLES IN THE INNER BOX BRACE

FRONT BOX STIFFENER

SECOND BOX STIFFENER

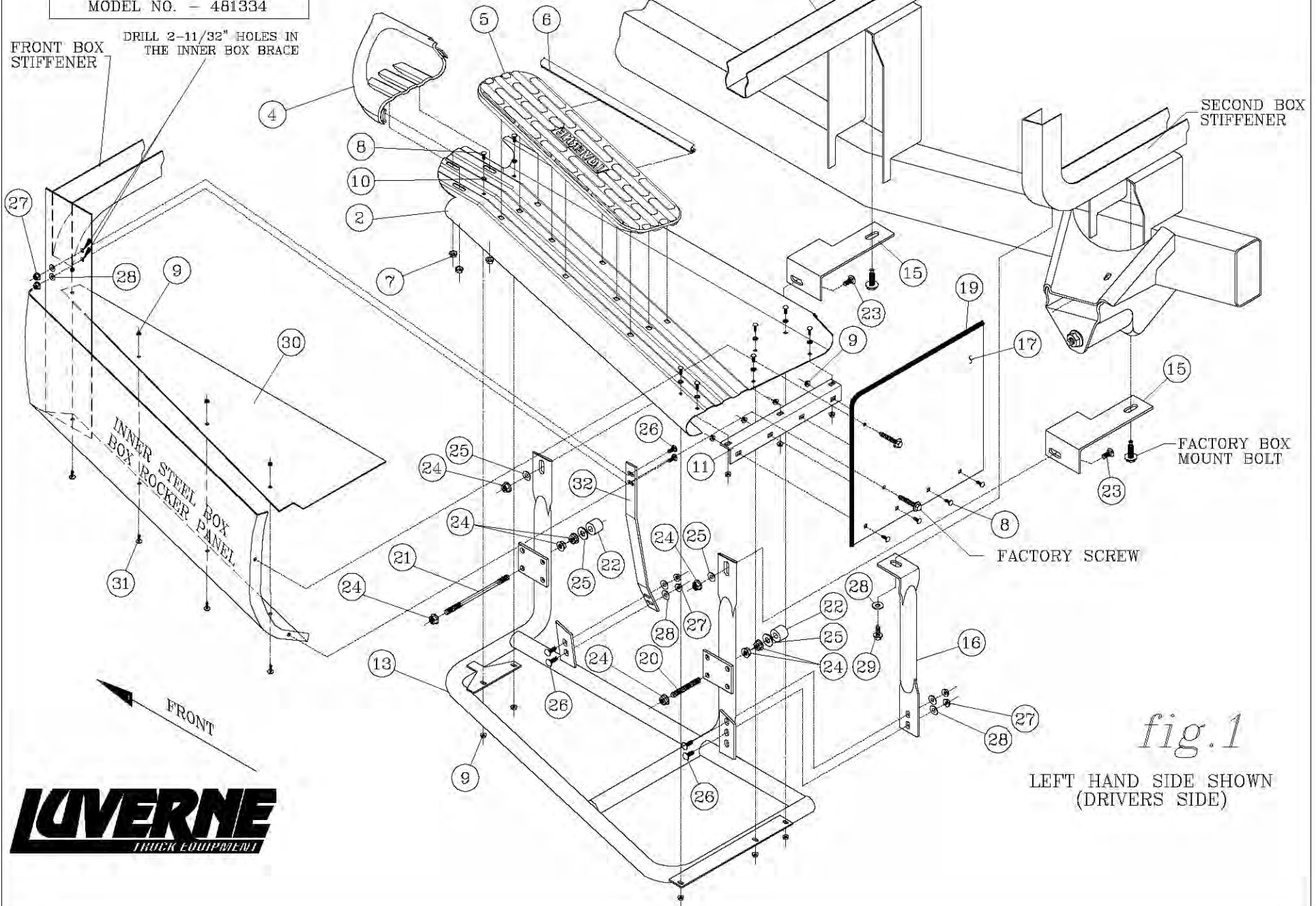


fig.1

LEFT HAND SIDE SHOWN (DRIVERS SIDE)

