

INSTALLATION INSTRUCTIONS AND PARTS LIST

APPLICATION: 480752 STAINLESS STEEL SIDE ENTRY STEPS:
2007 AND NEWER TOYOTA TUNDRA DOUBLE CAB



1. Read Instructions completely and check to make sure that all required parts (listed on service parts list) are on hand before starting the installation.
2. The mounting brackets are attached to the step plate for your convenience. The *LUVERNE* decal is located on the front driver's side.
3. The step assemblies must be mounted to the inboard surface of the rocker panel per the following instructions.
 - 3.1. Position the step assembly (item #1 thru #14) up under the rocker panel so that the holes in the brackets line up with the holes on the inside of the rocker panel.
 - 3.2. Attach the brackets to the vehicle using M8-1.25 X 25MM screw, lock washer, and flat washer (items #15 #16 #17). Repeat for all brackets.
 - 3.3. Torque all screws to 19 lb. ft.

SERVICE PARTS LIST

ITEM	PART NO.	QTY	DESCRIPTION
1	551366	1	STEP PLATE-SES,RH,TOY TUNDRA DBL CAB
2	551367	1	STEP PLATE-SES,LH,TOY TUNDRA DBL CAB
3	551362	2	BRKT-MTG, #1, TOY TUNDRA
4	551363	2	BRKT-MTG, #2, TOY TUNDRA
5	551364	2	BRKT-MTG, #3, TOY TUNDRA
6	551365	2	BRKT-MTG, #4, TOY TUNDRA
7	104250	2	END CAP-RH FRONT/LH REAR
8	104251	2	END CAP-LH FRONT/RH REAR
9	102600	4	PAD,STEP PLATE,20.00"
10	104255	2	TRIM-SEAL,SES,EXTRUDED, 80.5"
11	104257	12	NUT-HEX,SGL SELF THD,CAP WASHER,1/4"
12	104258	12	BOLT-CARRIAGE,SST,#10-24 X 3/4"LG
13	104259	4	BOLT-CARRIAGE,CLP HD,SST,#10-24 X 3/4"LG
14	104261	16	NUT-SERRATED FLANGE,HEX,SST,#10-24
15	102549	16	SCREW-HEX HD,M8-1.25 X 25MM
16	100030	16	WASHER-LOCK, 5/16"
17	100034	16	WASHER-FLAT, 5/16"
18	104530	16	WASHER-NEOPRENE, .200 X .468 X .03

SERVICE PARTS LIST

MODEL NO. - 480752

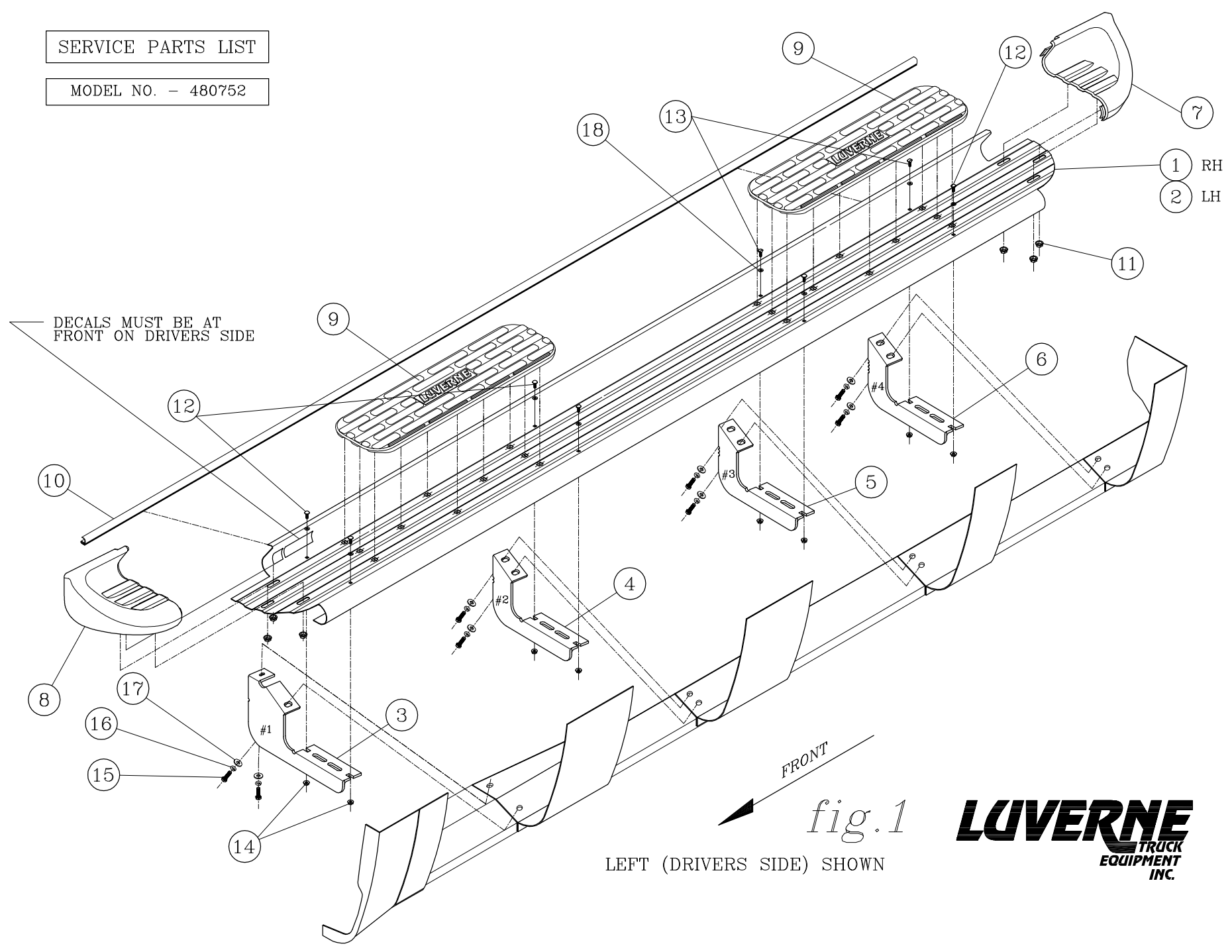


fig.1
LEFT (DRIVERS SIDE) SHOWN

