



## INSTALLATION INSTRUCTIONS AND PARTS LIST

APPL: 431522,23 BLACK BAJA-STEPS:

2015 AND NEWER FORD F-150 SUPER CAB, & SUPER CREW PICKUPS



1. READ INSTRUCTIONS COMPLETELY AND CHECK TO MAKE SURE THAT ALL REQUIRED PARTS (LISTED ON SERVICE PARTS LIST) ARE ON HAND BEFORE STARTING THE INSTALLATION.
2. ASSEMBLE BAJA STEPS, AND BRACKETS AS SHOWN IN EXPLODED VIEW ON PAGE 3.  
NOTE: THE 1" X 3" SERIAL NUMBER DECAL IS LOCATED ON THE FRONT LEG OF THE LEFT (DRIVERS SIDE) NERF BAR ASSEMBLY. THE 1/2" BOLTS MUST BE TORQUED TO 65 LB. FT.

**NOTE: LEAVE THE 1/2" BOLTS FINGER TIGHT UNTIL YOU HAVE THE NERF BAR MOUNTED TO THE VEHICLE, TORQUING THEM BEFORE HAND WILL MAKE INSTALLATION DIFFICULT.**

3. REMOVE THE FOUR (4) APPLICABLE FACTORY BODY MOUNT BOLTS FROM THE VEHICLE. THESE FOUR (4) BOLTS ARE REUSED IN THIS INSTALLATION.
4. ASSEMBLE THE DOUBLE ENDED STUD & FASTENERS TO THE BRACKETS AS FOLLOWS:
  - 4.1 INSTALL 3/8" SERRATED FLANGE NUTS (ITEM #6) BACKWARDS, TO THE END OF THE THREAD, ON EACH END OF THE DOUBLE ENDED STUD (ITEM #7).
  - 4.2 ON THE SHORT THREADED END OF THE STUD, INSTALL A 3/8" FLAT WASHER (ITEM #8) AND THEN PUSH THE 3/4" THICK RUBBER WASHER (ITEM #9) AND FLAT WASHER TIGHT UP AGAINST THE SERRATED FLANGE NUT. **(THE END OF THE DOUBLE ENDED STUD SHOULD BE RECESSED BACK IN THE HOLE OF THE RUBBER WASHER APPROXIMATELY 3/16")**.
  - 4.3 INSTALL THE LONG THREADED END OF THE STUD ASSEMBLY THRU THE HOLE IN THE MOUNTING BRACKET AND INSTALL A 3/8" SERRATED FLANGE NUT. (LEAVE LOOSE AT THIS TIME).
5. POSITION THE NERF BAR ASSEMBLY UP UNDER THE VEHICLE AND ATTACH THE FRONT AND REAR BRACKETS TO THE BODY MOUNTS WITH FACTORY BODY MOUNT BOLTS AS SHOWN.
  - 5.1. TORQUE ALL BODY MOUNT BOLTS TO 65 LB. FT.
  - 5.2. POSITION THE STUD ASSEMBLIES SO THAT THE RUBBER WASHER IS SNUG UP AGAINST THE SIDE OF THE FRAME. **INSURE THAT THE THREADED STUD WILL NOT MAKE CONTACT WITH THE SIDE OF THE FRAME.** TIGHTEN THE 3/8" SERRATED FLANGE NUTS ON EITHER SIDE OF THE REAR BRACKET FLANGE TO LOCK THE STUD ASSEMBLY IN POSITION.

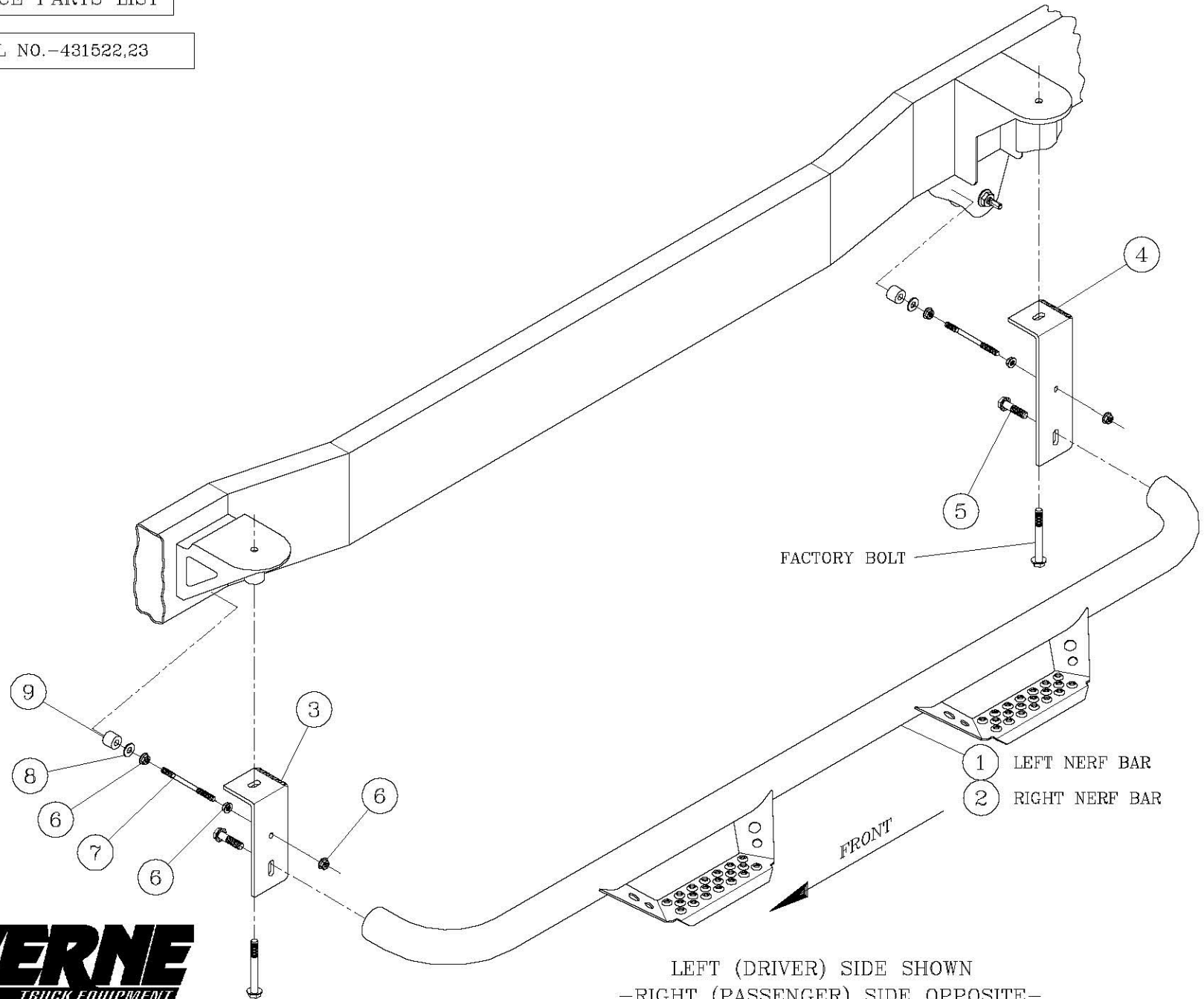
## SERVICE PARTS LIST

ITEM	PART NO.	QTY	DESCRIPTION
1	552494	1	BAJA-STEP WLDMT-RH,SST,431522
2	552495	1	BAJA-STEP WLDMT-LH,SST,431522
1	552496	1	BAJA-STEP WLDMT-RH,BLK,431523
2	552497	1	BAJA-STEP WLDMT-RH,BLK,431523
3	552786	2	BRKT MTG NERF BAR- RH/LH FRONT
4	552787	2	BRKT MTG NERF BAR- RH/LH REAR
5			
6	100181	12	NUT-SERRATED FLANGE,HEX,3/8-16 UNC,ZP
7	104673	4	STUD-DOUBLE ENDED,STL,3/8-16 UNC X 5.00",ZP
8	100062	4	WASHER-FLAT,3/8",ZP
9	102592	4	WASHER-RUBBER,.354 ID X 1.00 OD X .75 THK



SERVICE PARTS LIST

MODEL NO.-431522,23



LEFT (DRIVER) SIDE SHOWN  
-RIGHT (PASSENGER) SIDE OPPOSITE-