

INSTALLATION INSTRUCTIONS AND PARTS LIST

APPLICATION: 430752/430753 BAJA STEPS BLACK:
2007 AND NEWER TOYOTA TUNDRA DOUBLE CAB/CREWMAX



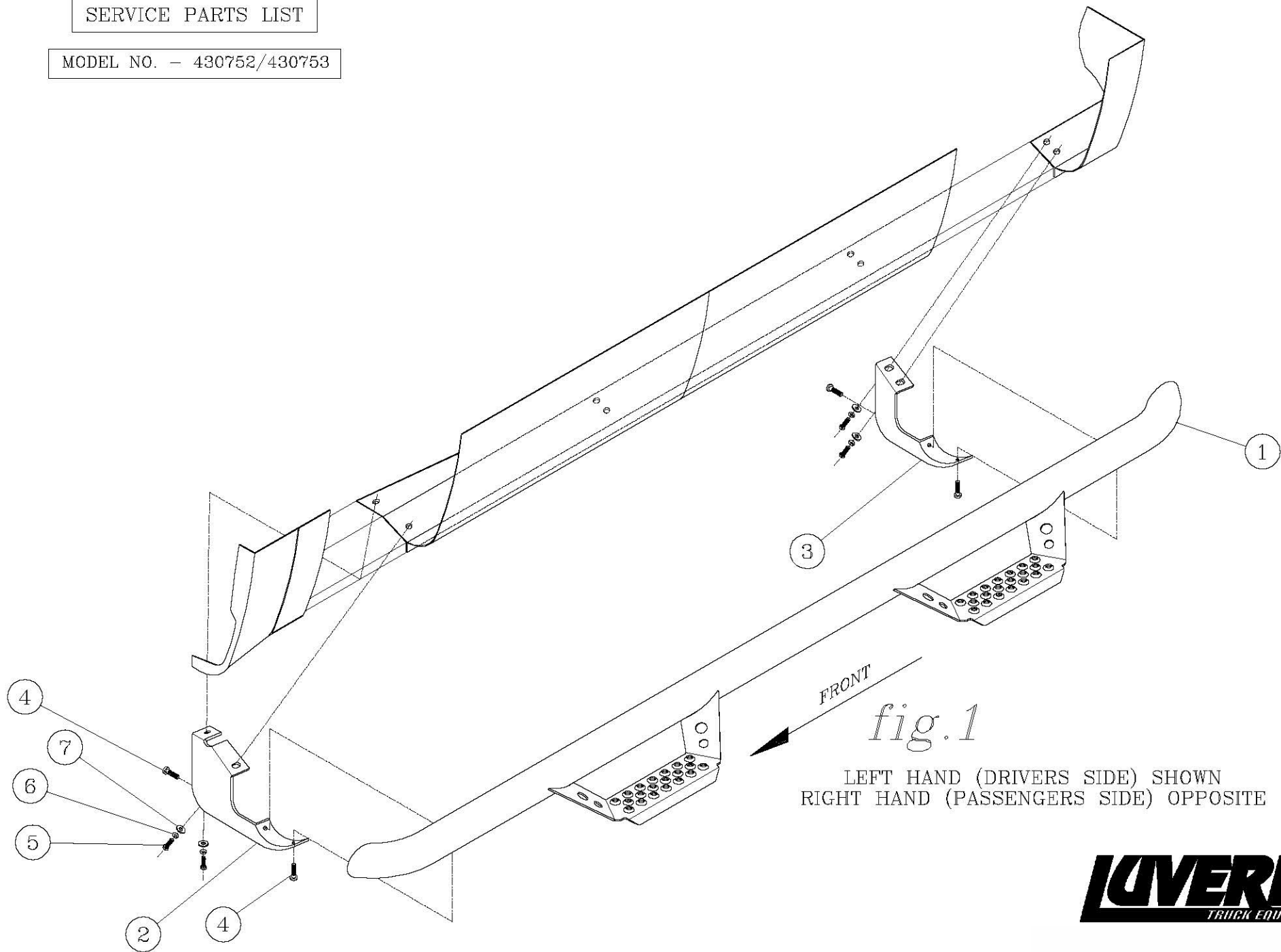
1. READ THE INSTRUCTIONS COMPLETELY, AND CHECK TO MAKE SURE THAT ALL THE REQUIRED PARTS (LISTED ON THE SERVICE PARTS LIST) ARE ON HAND BEFORE STARTING THE INSTALLATION.
2. INSTALL MOUNTING BRACKETS AS SHOWN IN FIG. 1, USING THE SUPPLIED 3/8-16 X 3/4" SST BUTTON HEAD SCREW (ITEM #4), LEAVE FASTENERS FINGER TIGHT AT THIS TIME.
3. THE BAJA STEPS MUST BE MOUNTED TO THE INBOARD SURFACE OF THE ROCKER PANEL PER THE FOLLOWING INSTRUCTIONS.
 - 3.1. POSITION THE BAJA STEP ASSEMBLY (ITEM #1 THRU #4) UP UNDER THE ROCKER PANEL SO THAT THE HOLES IN THE BRACKETS LINE UP WITH THE HOLES ON THE INSIDE OF THE ROCKER PANEL.
 - 3.2. ATTACH THE BRACKETS TO THE VEHICLE USING THE SUPPLIED M8-1.25 X 25MM SCREW, LOCK WASHER, AND FLAT WASHER (ITEMS #5, #6, #7). REPEAT FOR ALL BRACKETS.
 - 3.3. TORQUE ALL SCREWS TO 19 LB. FT.

SERVICE PARTS LIST

ITEM	PART NO.	QTY	DESCRIPTION
1	552163	2	BAJA STEP WLDMT-LH/RH,BLACK,430752
1	552164	2	BAJA STEP WLDMT-LH/RH,BLACK,430753
2	552161	2	BRKT-MTG, FRONT, LH/RH, TOY TUNDRA
3	552162	2	BRKT-MTG, REAR, LH/RH, TOY TUNDRA
4	105105	8	SCR-BTN HD, 3/8-16X3/4, SST
5	102549	8	SCREW-HEX HD,M8-1.25 X 25MM
6	100030	8	WASHER-LOCK, 5/16"
7	100034	8	WASHER-FLAT, 5/16"

SERVICE PARTS LIST

MODEL NO. - 430752/430753



LEFT HAND (DRIVERS SIDE) SHOWN
RIGHT HAND (PASSENGERS SIDE) OPPOSITE

