

INSTALLATION INSTRUCTIONS AND PARTS LIST

VEHICLE APPLICATION:

MODEL 251124 (20.25" X 23.00") DUAL WHEEL MUDGUARDS
2011 AND NEWER FORD SUPER DUTY DUAL WHEEL TRUCKS

1. READ INSTRUCTIONS COMPLETELY AND CHECK TO MAKE SURE THAT ALL REQUIRED PARTS (LISTED ON SERVICE PARTS LIST) ARE ON HAND BEFORE STARTING THE INSTALLATION.
2. PREPARE THE VEHICLE FOR MUDGUARD INSTALLATION AS FOLLOWS:
 - 2.1. FROM UNDERNEATH THE TRUCK, DRILL TWO HOLES THRU THE FENDER LINER USING THE FACTORY METALLIC WHEEL WELL FLANGE HOLES AS GUIDES (SEE FIG. 1).
 - 2.2. REMOVE THE FACTORY SCREW (BOTTOM CENTER) AND 5 PLASTIC RETAINERS THAT HOLD THE FENDER LINER TO THE FENDER BEHIND THE DUAL WHEELS.
 - 2.3. INSTALL TWO U-NUTS (ITEM #8) (THREADS TOWARD THE REAR OF THE VEHICLE) INTO THE BOTTOM AND CENTER OUTBOARD FENDER FLARE HOLES (SEE FIG. 1).
 - 2.4. RE-INSTALL THE TOP OUTBOARD FENDER LINER PLASTIC RETAINER THRU THE FENDER LINER AND FENDER FLARE TO HOLD THE FENDER LINER IN PLACE.

MOUNTING 251124 MUDGUARDS:

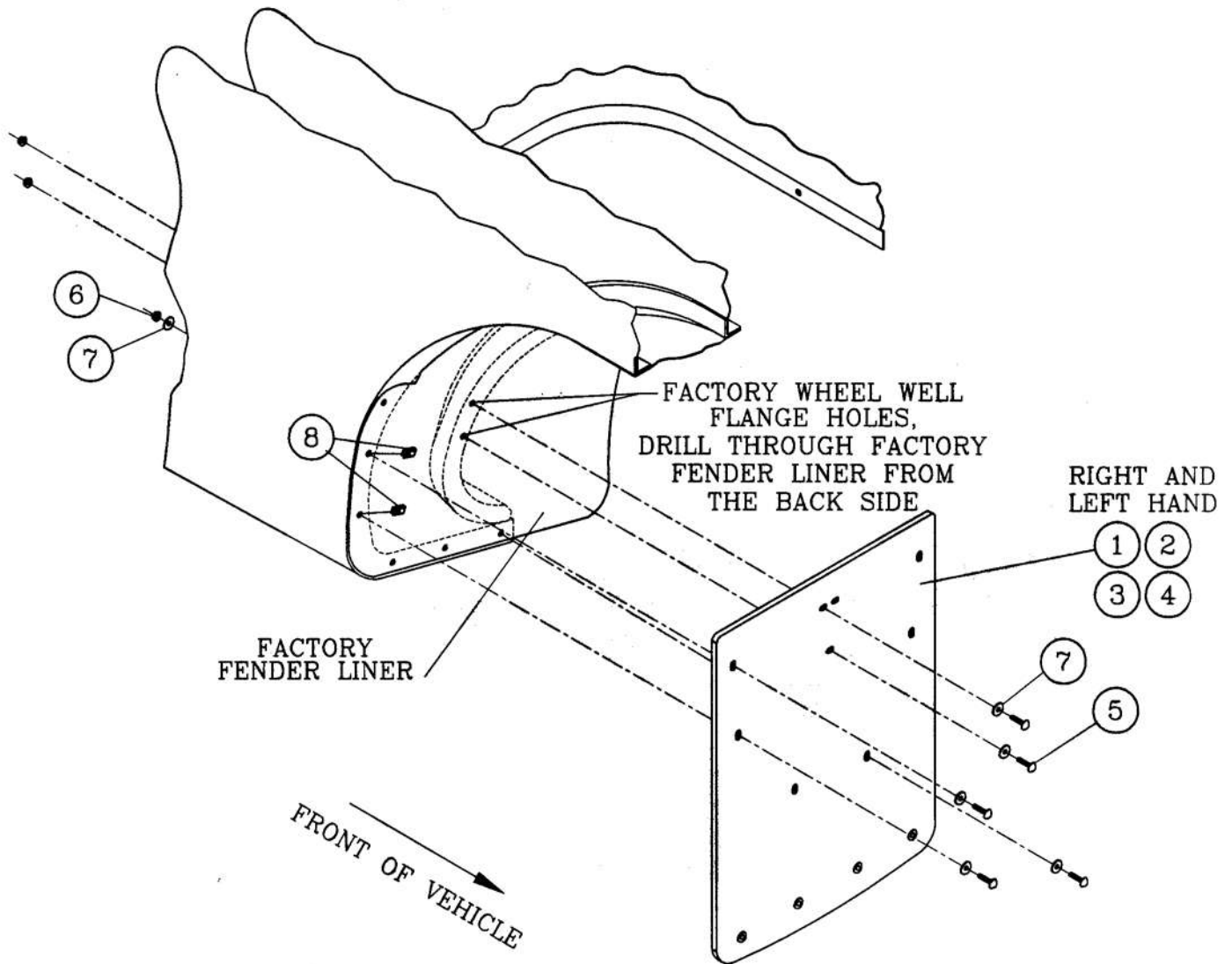
3. INSTALL THE MUDGUARDS AS FOLLOWS:
 - 3.1. POSITION THE MUDGUARD AGAINST THE WHEEL WELL FLANGE AND PLASTIC LINER SO THAT THE HOLES IN THE MUDGUARD LINE UP WITH THE HOLES THAT WERE DRILLED THRU THE WHEEL WELL LINER PER INSTRUCTION #2.1.
 - 3.2. INSTALL 1/4-20 X 1-1/4" BUTTON HEAD SCREWS (ITEM #5) AND 1/4" FENDER WASHERS (ITEM #7) THRU THE MUDGUARD, FENDER LINER, AND METALLIC WHEEL WELL FLANGE, THEN ATTACH THE 1/4-20 SERRATED FLANGE NUTS (ITEM #6)
 - 3.3. INSTALL A 1/4-20 X 1-1/4" BUTTON HEAD SCREW (ITEM #5) AND 1/4" FENDER WASHER (ITEM #7) THRU THE MUDGUARD, FENDER LINER, AND BOTTOM PLASTIC WHEEL WELL FLANGE, THEN ATTACH A 1/4-20 SERRATED FLANGE NUT.
 - 3.4. INSTALL 1/4-20 X 1-1/4" BUTTON HEAD SCREWS (ITEM #5) AND 1/4" FENDER WASHERS (ITEM #7) THRU THE MUDGUARD, FENDER LINER AND OUTBOARD PLASTIC FENDER FLARE HOLES INTO THE TWO (2) U-NUTS.
 - 3.5. MOVE THE MUDGUARD IN OR OUT AS DESIRED, LEVEL THE MUDGUARD AND TIGHTEN THE FASTENERS.



SERVICE PARTS LIST

fig.1

2011 FORD SUPER DUTY DUALY
MODEL NO. - 251124



RIGHT (PASSENGER) SIDE SHOWN

| ITEM | PART NO. | QTY | DESCRIPTION |
|------|----------|-----|---|
| 1 | 551047 | 2 | MUDGUARD-RUBBER,20.25 X 23.00,FORD S.D. DUALY |
| 2 | 550193 | 2 | INSERT-MUDGUARD, SST, LH/RH |
| 3 | 108052 | 8 | RIVET-3/16, SST |
| 4 | 105511 | 8 | WASHER-FLAT |
| 5 | 108053 | 10 | SCR-BTN HD SOC, SST, 1/4-20 X 1-1/4", BZP |
| 6 | 102366 | 6 | NUT- HEX, SERRATED FLANGE,SST, 1/4-20 |
| 7 | 108521 | 12 | WASHER- FENDER, 1/4 X 1, SST, 18-8, BZP |
| 8 | 106604 | 4 | NUT-U, MULTI-THREAD, 1/4-20, BLK |