

INSTALLATION INSTRUCTIONS AND PARTS LIST

VEHICLE APPLICATION:

MODEL 251034 (20.00" X 23.00") MUDGUARD

2010 AND NEWER DODGE RAM 2500/3500 DUAL WHEEL TRUCKS

1. READ INSTRUCTIONS COMPLETELY AND CHECK TO MAKE SURE THAT ALL REQUIRED PARTS (LISTED ON SERVICE PARTS LIST) ARE ON HAND BEFORE STARTING THE INSTALLATION.
2. PEEL AWAY THE VINYL COVERING AND CLEAN THE STAINLESS STEEL MUDGUARD INSERTS TO REMOVE ANY VINYL COVERING RESIDUE. (A GOOD GLASS CLEANER IS SUGGESTED).
3. PREPARE THE RUBBER MUDGUARDS AND VEHICLE FOR MUDGUARD INSTALLATION AS FOLLOWS:
 - 3.1. FORM THE TOP OF THE RUBBER MUDGUARD ASSEMBLY (ITEM #1 THRU #4) TO MATCH THE CONTOUR OF THE WHEEL WELL.
4. INSTALL THE MUDGUARDS AS FOLLOWS: (SEE SHEET #2)
 - 4.1 REMOVE THE FACTORY WHEEL WELL RETAINING SCREWS FROM THE WHEEL WELL FLANGE, POSITION THE MUDGUARD AGAINST THE WHEEL WELL FLANGE AND REPLACE THE FACTORY RETAINING SCREWS WITH (ITEM #3) SEMS SCREW M4.8 X 25MM. MOVE MUDGUARD IN OR OUT AS DESIRED, LEVEL THE MUDGUARD AND TIGHTEN SEM SCREWS.
 - 4.2 USING THE TOP INSIDE HOLE OF THE MUDGUARD AND THE SECOND FROM THE TOP INSIDE HOLE AS A PILOT DRILL TWO 1/4" DIA. HOLE THRU PLASTIC WHEEL WELL LINER AND FASTEN THE TOP HOLE WITH (ITEMS # 2,4 AND 5) #10-24 BUTTON HEAD SCREW, WASHER AND NUT.
 - 4.3 HOLD SUPPORT BRACKET (ITEM #7) UP AGAINST MUDGUARD USING THE SECOND INSIDE HOLE AND FASTEN TOGETHER WITH (ITEMS # 2, 4 AND 5) #10-24 BUTTON HEAD SCREW, WASHER AND NUT.
 - 4.4 HOLD THE TOP OF BRACKET TO THE BOX STIFFENER AND DRILL A 3/16" PILOT HOLE. THEN FASTEN WITH SELF TAPPING SCREW (ITEM # 6). TIGHTEN ALL FASTENERS.



SERVICE PARTS LIST

DODGE RAM
 2010 2500/3500 HD DUAL WHEEL PICKUPS
 MODEL: 251034 MUDGUARD

ITEM	PART NO.	QTY	DESCRIPTION
1	550230	2	SPLASH GUARD- MOLDED, 20.25" X 23.00", DDG, RH/LH
2	105611	12	WASHER- FLAT, SST, .203 X .625 X .062
3	106638	4	SCREW-SEMS, HEX HD,TYPE B,M4.8 X 25mm,BZP
4	106639	4	SCR-BTN HD SOC,#10-24UNC X 1.00"
5	104261	4	NUT- HEX, SERRATED FLANGE,SST,#10-24
6	102694	2	SCR-HEX WSHR HD,TF,AB,SST,1/4 X 3/4
7	550227	2	BRKT-MTG, 14.00 X 1.50,STEEL,(GALV)

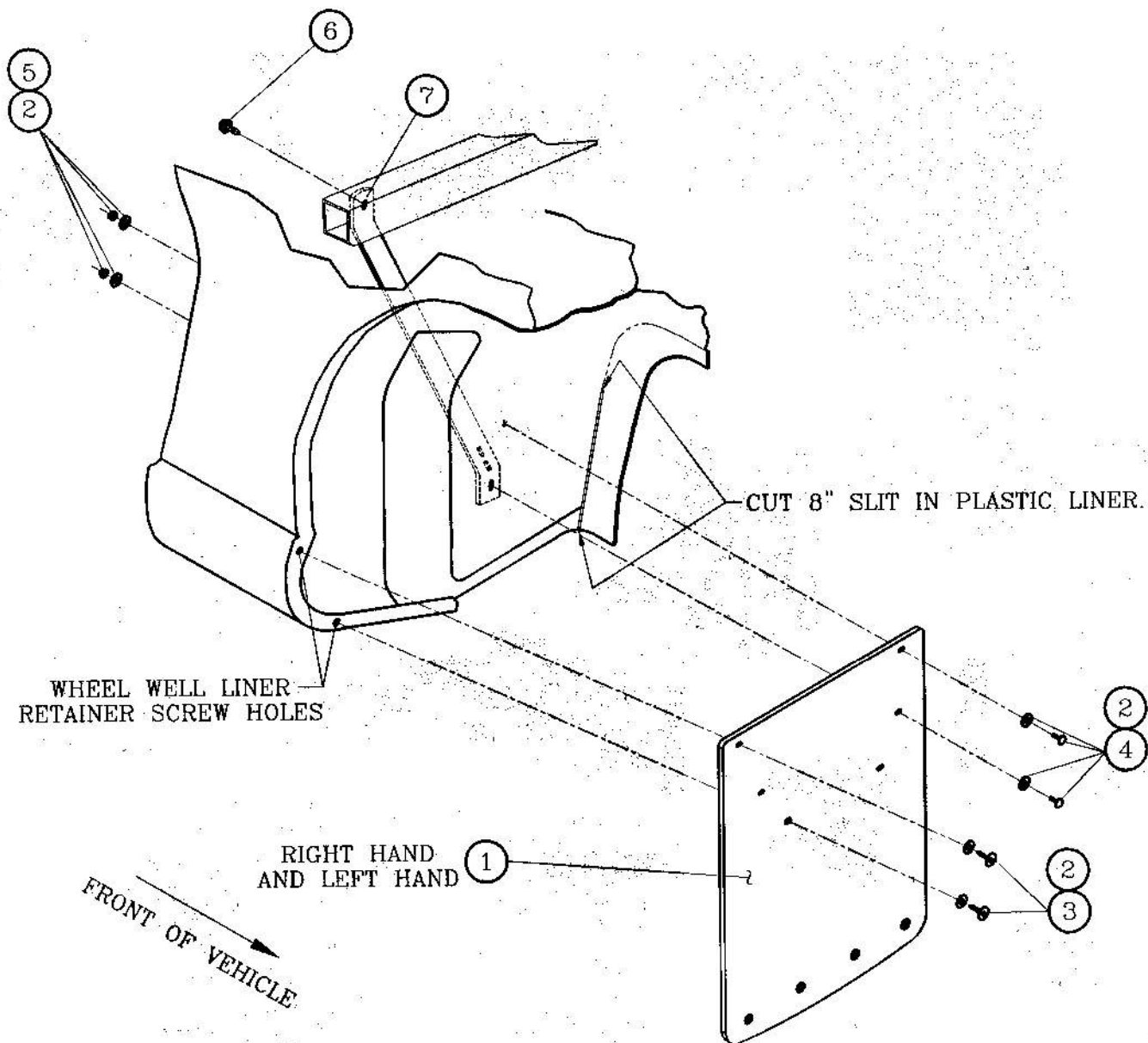


fig.1

RIGHT SIDE SHOWN