

INSTALLATION INSTRUCTIONS AND PARTS LIST

VEHICLE APPLICATION:

MODEL 250931 (12" X 20") REAR MUDGUARDS
MODEL 250933 (12" X 23") REAR MUDGUARDS
2009 AND NEWER DODGE RAM 1500 SERIES TRUCKS
2010 AND NEWER DODGE RAM HD SERIES TRUCKS

1. READ INSTRUCTIONS COMPLETELY AND CHECK TO MAKE SURE THAT ALL REQUIRED PARTS (LISTED ON SERVICE PARTS LIST) ARE ON HAND BEFORE STARTING THE INSTALLATION.

MOUNTING 250931 OR 250933 MUDGUARDS: (SEE SHEET #2)

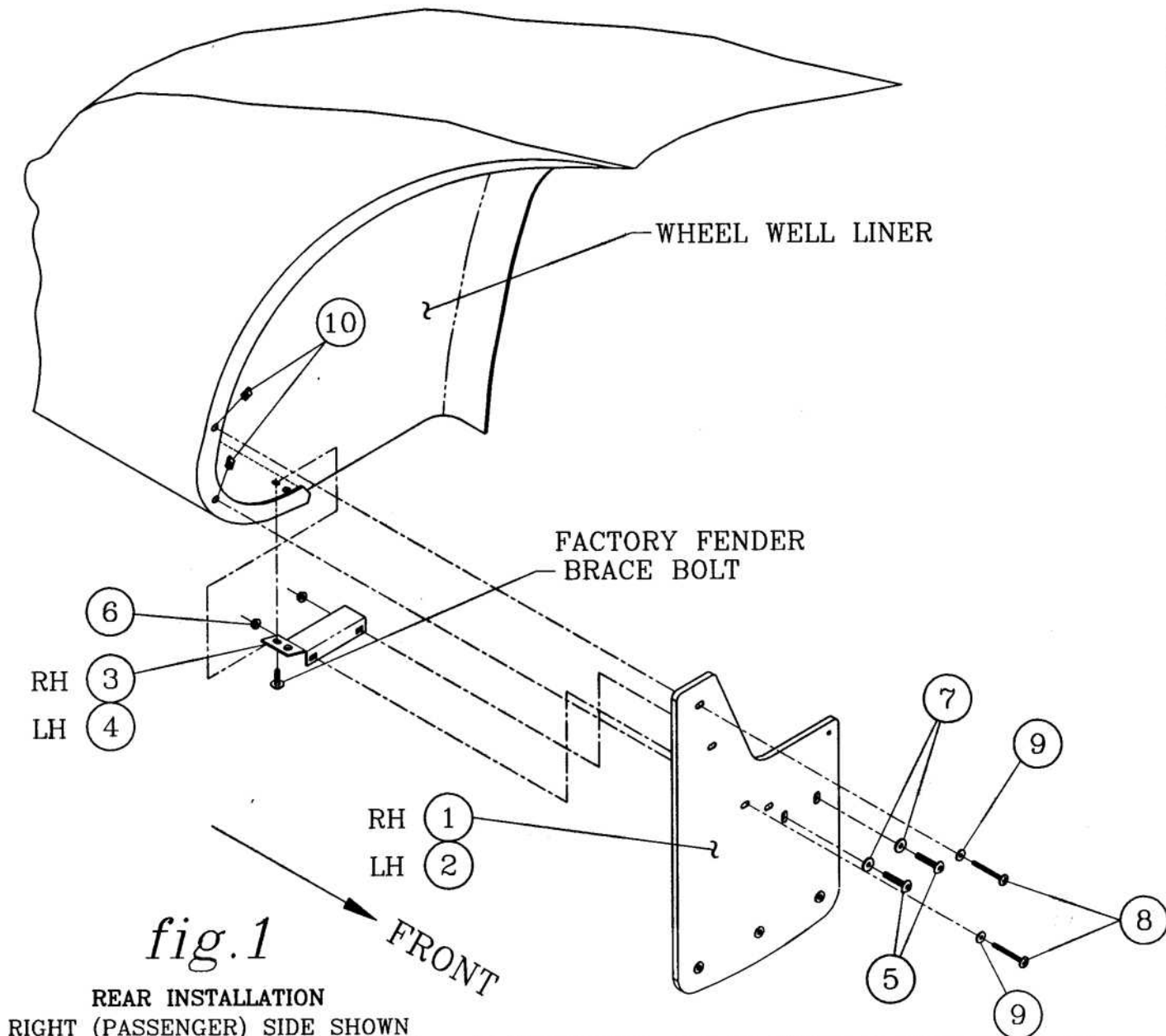
2. INSTALL THE MUDGUARDS AS FOLLOWS:
 - 2.1. REMOVE TWO FACTORY WHEEL WELL LINER RETAINER SCREWS FROM THE METTALIC FLANGE OF THE WHEEL WELL. (THESE FASTENERS ARE NOT REUSED).
 - 2.2. IF THERE ARE NO FENDER FLARES, REMOVE THE PLASTIC ROCK GUARD ON THE BOTTOM BY REMOVING THE (2) PLASTIC PLUGS. (THIS ROCK GUARD WILL **NOT** BE REUSED).
 - 2.3. INSERT (2) #8 METAL U-CLIPS (ITEM #10) INTO THE METTALIC WHEEL WHELL FLANGE OVER THE EXISTING HOLES.
 - 2.4. REMOVE THE HEX HEAD FACTORY FENDER BRACE BOLT FROM THE BOTTOM OF THE BOX ROCKER PANEL AS SHOWN IN FIG 1. (THIS FASTENER IS REUSED).
 - 2.5. POSITION THE MUDGUARD AGAINST THE WHEEL WELL FLANGE AND INSTALL (2) 8-15 X 1-3/4" SCREW (ITEM #8) AND #8 FLAT WASHER (ITEM #9) THRU THE **FIRST** AND **THIRD** HOLES DOWN FROM THE TOP IN THE MUDGUARD AND INTO THE METAL U CLIPS. (LEAVE THESE FASTENERS FINGER TIGHT).
 - 2.6. INSTALLTHE MOUNTING BRACKET (ITEM #3 & #4) AS SHOWN BY PLACING IT ABOVE THE METAL FENDER, AND BELOW THE PLASTIC WHEEL WELL LINER. ATTACH THE MOUNTING BRACKET TO THE MUDGUARD BY USING 1/4" X 1" BUTTON HEAD SCREWS (ITEM #5) 1/4" FLAT WASHERS (ITEM #7), AND 1/4-20 SERRATED FLANGE NUTS (ITEM #6). FINGER TIGHTEN ONLY. **NOTE: IF THE VEHICLE HAS FENDER FLARES THEY MAY NEED TO BE NOTCHED TO ALLOW THE MOUNTING BRACKET TO SIT FLUSH WITH THE BACK OF THE MUDGUARD.**
 - 2.7. REINSTALL THE FACTORY FENDER BRACE BOLT UP THRU THE HOLE IN THE MOUNTING BRACKET AS SHOWN. (LEAVE THIS FASTENER FINGER TIGHT).
 - 2.8. THIS APPLICATION MAY REQUIRE A SMALL SLIT IN THE INSIDE OF THE WHEEL WELL LINER TO ALLOW THE MUDGUARD TO LAY FLAT.
 - 2.9. MOVE THE MUDGUARD IN OR OUT AS DESIRED, LEVEL THE MUDGUARD (IT SHOULD BE ABOUT STRAIGHT WITH THE REAR TIRE AND/OR MATCH THE FRONT MUDGUARD) AND THEN TIGHTEN ALL FASTENERS.
 - 2.10. REPEAT FOR THE OPPOSITE SIDE.

NOTE: THE 8-15 X 1-3/4" SCREWS (ITEM #8) ARE EXTRA LONG TO ACCOMMODATE THE VEHICLES WITH FENDER FLARES.



SERVICE PARTS LIST

2009 DODGE RAM
MODEL: 250931 & 250933



REAR INSTALLATION
RIGHT (PASSENGER) SIDE SHOWN

ITEM	PART NO.	QTY	DESCRIPTION
1	550204	1	MUDGUARD-RUBBER, 20" DODGE RAM,RH
2	550205	1	MUDGUARD-RUBBER, 20" DODGE RAM,LH
1	550206	1	MUDGUARD-RUBBER, 23" DODGE RAM,RH
2	550207	1	MUDGUARD-RUBBER, 23" DODGE RAM,LH
3	550212	1	BRACKET -MTG,SPL GD,RH
4	550213	1	BRACKET -MTG,SPL GD,LH
5	105543	4	SCREW- BTN HD SOC, SST, 1/4-20 X 1.0"
6	102366	4	NUT-HEX,SERRATED FLG,SST,1/4-20
7	101370	4	WASHER-FLAT, SST, .281 X .625 X .062
8	107642	4	SCREW-PHILLIPS HD,TYPE B,8-15X1-3/4, SST
9	105511	4	WASHER-FLAT, SST, .203 X .625 X .062
10	105518	4	U-CLIP-THREADED, 8-15,BLK

LIVERNE
TRUCK EQUIPMENT