

# INSTALLATION INSTRUCTIONS AND PARTS LIST

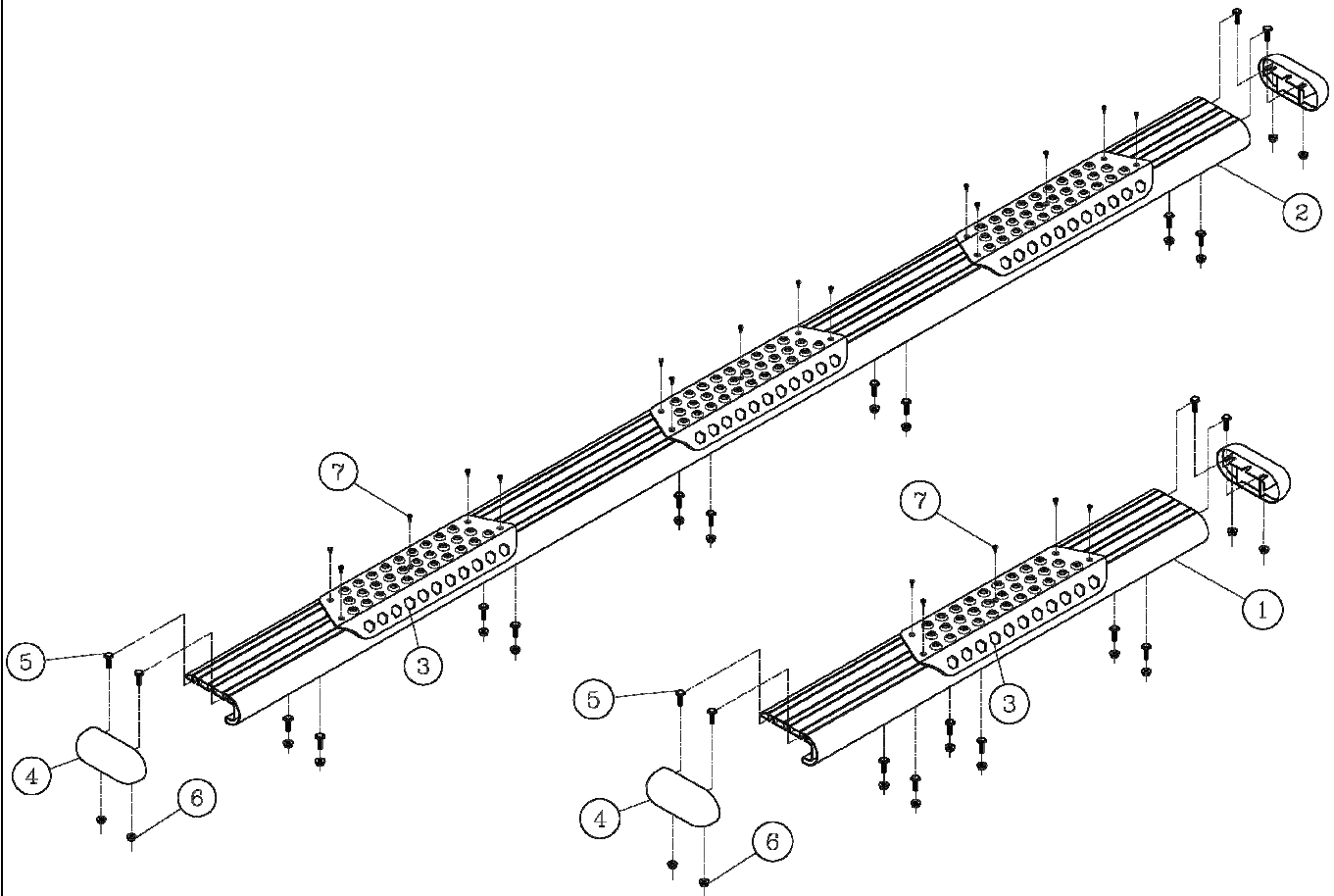
MODEL 583100, 584100 O-MEGA II 6" OVAL STEPS  
UNIVERSLA APPLICATION

1. READ INSTRUCTIONS COMPLETELY AND CHECK TO MAKE SURE THAT ALL REQUIRED PARTS (LISTED ON THE SERVICE PARTS LIST) ARE ON HAND BEFORE STARTING THE INSTALLATION.
2. FOLLOW THE INSTRUCTIONS INCLUDED WITH THE SPECIFIC BRACKET PACKAGE THAT YOU ARE USING, TO MOUNT THE BRACKETS TO YOUR VEHICLE.
3. BEFORE ATTACHING THE O-MEGA STEPS TO THE BRACKETS, PLACE THE STEP PADS (ITEM #3) ON TOP OF THE STEP PLATES ACCORDINGLY FOR YOUR VEHICLE. USING THE HOLES IN THE STEP PAD AS A GUIDE DRILL (5) 1/8" PILOT HOLES. ATTACH WITH (5) 8-18X1/2" TEK SCREWS (ITEM #7) PROVIDED. REPEAT FOR ALL STEP PADS.
4. INSTALL THE REQUIRED NUMBER OF SQUARE HEAD BOLTS INTO THE DESIGNATED SLOTS IN THE BOTTOM OF THE STEP PLATES.
5. INSTALL THE END CAPS (ITEM #4) AS SHOWN IN *fig. 1*, TIGHTENING THE NUTS TO 5 LB FT.
6. POSITION THE O-MEGA STEP ON THE MOUNTING BRACKETS SO THAT THE SQUARE HEAD SCREWS (ITEM #5) ARE LOCATED IN THE SLOTS OF THE MOUNTING BRACKETS AND THE STEP IS CENTERED, FRONT TO REAR, ON THE VEHICLE. INSTALL 5/16" SERRATED FLANGE NUTS (ITEM #6) ON THE SQUARE HEAD SCREWS (ITEM #5) AND TIGHTEN TO 19 LB FT.

## SERVICE PARTS LIST

ITEM	PART NO.	QTY	DESCRIPTION
1	553068	1	EXTRUSION-AL,33.00"OMEGA STP, SILVER
2	553074	1	EXTRUSION-AL,95.00"OMEGA STP, SILVER
1	553056	1	EXTRUSION-AL,33.00"OMEGA STP, BLACK
2	553062	1	EXTRUSION-AL,95.00"OMEGA STP, BLACK
3	552970	4	ALUM,STP-PAD,BLK,OMEGA-STEP
4	107956	4	CAP-END,PLSTC,2.95 X 6.70
5	106880	18	SCREW-SQ HD,5/16-18 X 1,MAGNIGUARD
6	102680	18	NUT-SERR FLG,HX,SST,WX,5/16-18
7	107958	24	SCREW-PPH,TEK,#8-18 X 1/2",SST,BZP





**LIVERNE**  
TRUCK EQUIPMENT

# INSTALLATION INSTRUCTIONS AND PARTS LIST

## MODEL

**571164 MEGA STEP BRACKETS SHORT/LONG**

**401164 GRIP STEP BRACKETS SHORT/LONG**

2011 NISSAN NV VANS

READ INSTRUCTIONS COMPLETELY AND CHECK TO MAKE SURE THAT ALL REQUIRED PARTS (LISTED ON SERVICE PARTS LIST) ARE ON HAND BEFORE STARTING THE INSTALLATION.

### DRIVER SIDE INSTALLATION

1. DRILL (2) 3/8" DIAMETER HOLE THROUGH THE MIDDLE OF THE PINCH WELD FOR THE BOTTOM MOUNTING HOLE. SEE **FIG. 1** TO MARK THESE LOCATIONS WHICH ARE MEASURED FROM THE FRONT WHEEL WELL OPENING.
2. HOLD TWO OF THE BRACKETS (ITEM #1) UP TO THE VEHICLE AS SHOWN SECURING THEM WITH A 5/16-18X1.0 BOLT, FLANGE NUT, AND 2 WASHERS (ITEMS #2,3,4). TIGHTEN THESE FASTENERS DOWN ENSURING THAT THEY ARE LEVEL WITH THE VEHICLE.
3. WITH THE (2) BRACKETS IN PLACE AND THAT THE UPPER SURFACE IS IN CONTACT WITH THE VEHICLE, USE THE TOP (2) HOLES IN THE BRACKET AS A GUIDE AND DRILL (2) 5/32" HOLES THROUGH THE INNER ROCKER PANEL FOR EACH BRACKET. INSTALL THE 1/4" X 3/4" SELF TAPPING SCREWS (ITEM #5) **USE CARE NOT TO OVER TIGHTEN.**

### PASSENGER SIDE INSTALLATION

4. DRILL (4) 3/8" DIAMETER HOLE THROUGH THE MIDDLE OF THE PINCH WELD FOR THE BOTTOM MOUNTING HOLE. SEE **FIG. 3** TO MARK THESE LOCATIONS WHICH ARE MEASURED FROM THE FRONT WHEEL WELL OPENING.
5. HOLD THESE BRACKETS (ITEM #1) UP TO THE VEHICLE AS SHOWN SECURING THEM WITH A 5/16-18X1.0 BOLT, FLANGE NUT, AND (2) WASHERS (ITEMS #2,3,4). SNUG THESE FASTENERS DOWN.
6. WITH THE (4) BRACKETS IN PLACE USE THE UPPER (2) HOLES IN THE BRACKET AS A GUIDE AND DRILL (2) 5/32" HOLES THROUGH THE INNER ROCKER PANEL FOR EACH BRACKET. INSTALL THE 1/4" X 3/4" SELF TAPPING SCREWS (ITEM #5) **USE CARE NOT TO OVER TIGHTEN.**

**TORQUE ALL 5/16" NUTS AND BOLTS TO 20 LB FT.**

7. ATTACHING THE STEP ASSEMBLY:  
PLEASE REVIEW THE INSTALLATION INSTRUCTIONS THAT ARE INCLUDED IN YOUR STEP ASSEMBLY FOR SPECIFIC DETAILS.

### **SERVICE PARTS LIST**

ITEM	PART NO.	QTY	DESCRIPTION
<b>PARTS INCLUDED IN THE BRACKET PACKAGE</b>			
1	552021	6	BRKT- MTG, NISSAN NV, <b>MEGA STEPS</b>
1	552131	6	BRKT- MTG, NISSAN NV, <b>GRIP STEPS</b>
2	106997	6	SCREW- HEX HEAD CAP, 5/16 18 UNC X 1.00".SST,BZP
3	106998	12	WSHR-FL, 5/16, SST,BZP
4	106996	6	NUT-SERRATED FLANGE, 5/16-18,SST,BZP
5	100004	12	SCREW- HEX HEAD SELF TAPPING,1/4" X 3/4", ZP





SERVICE PARTS LIST

BRACKET NO. - 401164  
- 571164

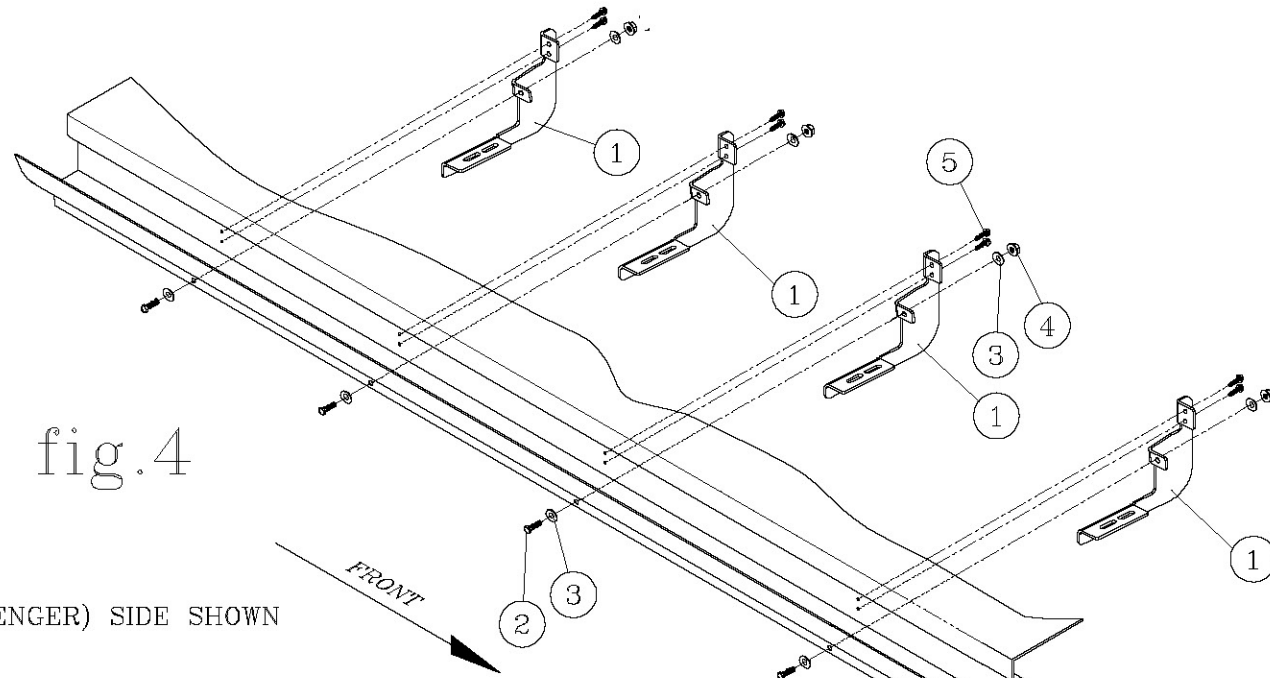


fig.4

RIGHT (PASSENGER) SIDE SHOWN

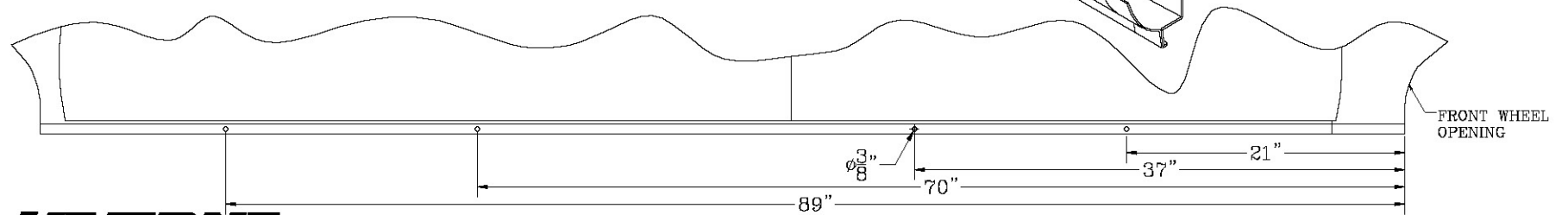


fig.3



Choose reliable running boards offered on our website.