

## INSTALLATION INSTRUCTIONS AND PARTS LIST

MODEL: 583098, 583102, 583108, 583114, 583125, 584098, 584102, 584114, 584125 O-MEGA II 6" OVAL  
STEPS  
UNIVERSAL APPLICATION

1. READ INSTRUCTIONS COMPLETELY AND CHECK TO MAKE SURE THAT ALL REQUIRED PARTS (LISTED ON THE SERVICE PARTS LIST) ARE ON HAND BEFORE STARTING THE INSTALLATION.
2. FOLLOW THE INSTRUCTIONS INCLUDED WITH THE SPECIFIC BRACKET PACKAGE THAT YOU ARE USING, TO MOUNT THE BRACKETS TO YOUR VEHICLE.
3. BEFORE ATTACHING THE O-MEGA STEPS TO THE BRACKETS, PLACE THE STEP PADS (ITEM #2) ON TOP OF THE STEP PLATES. USE THE TABLE ON SHEET #2, AS A GUIDE TO POSITION THE STEP PAD FOR YOUR PARTICULAR VEHICLE. WHEN INSTALLING THE PADS ON THE STEPS, DRILL (5) 1/8" HOLE USING THE STEP PAD AS A GUIDE. ATTACH WITH (5) 8-18X1/2" TEK SCREWS (ITEM #6) PROVIDED. REPEAT FOR ALL STEP PADS. (NOTE: DUE TO THE SHORTNESS OF SOME BOXES, MOUNT THE BOX STEP PAD FIRST, APPROXIMATELY 1/2" FROM THE END CAP AND THEN MOUNT THE MIDDLE STEP PAD ACCORDINGLY.)
4. INSTALL THE REQUIRED NUMBER OF SQUARE HEAD BOLTS INTO THE DESIGNATED SLOTS IN THE BOTTOM OF THE STEP PLATES.
5. INSTALL THE END CAPS (ITEM #3) AS SHOWN IN *fig. 1*, TIGHTENING THE NUTS TO 5 LB FT.
6. POSITION THE O-MEGA STEP ON THE MOUNTING BRACKETS SO THAT THE SQUARE HEAD SCREWS (ITEM #4) ARE LOCATED IN THE SLOTS OF THE MOUNTING BRACKETS AND THE STEP IS CENTERED, FRONT TO REAR, ON THE VEHICLE. INSTALL 5/16" SERRATED FLANGE NUTS (ITEM #5) ON THE SQUARE HEAD SCREWS (ITEM #4) AND TIGHTEN TO 19 LB FT.

### SERVICE PARTS LIST

ITEM	PART NO.	QTY	DESCRIPTION
1	553074	2	EXTRUSION-AL,95.0,OMEGA STP,SILVEER
1	553075	2	EXTRUSION-AL,99.0,OMEGA STP,SILVER
1	553076	2	EXTRUSION-AL,105.0,OMEGA STP,SILVER
1	553077	2	EXTRUSION-AL,111.0,OMEGA STP,SILVER
1	553078	2	EXTRUSION-AL,122.0,OMEGA STP,SILVER
1	553062	2	EXTRUSION-AL,95.0,OMEGA STP,BLACK
1	553063	2	EXTRUSION-AL,99.0,OMEGA STP,BLACK
1	553065	2	EXTRUSION-AL,111.0,OMEGA STP,BLACK
1	553066	2	EXTRUSION-AL,122.0,OMEGA STP,BLACK
2	107957	6	ALUM,STP-PAD,BLK,OMEGA-STEP
3	107956	4	CAP-END,PLSTC,2.95 X 6.70
4	106880	28	SCREW-SQ HD,5/16-18 X 1,MAGNIGUARD
5	102680	28	NUT-SERR FLG,HX,SST,WX,5/16-18
6	107958	30	SCREW-PPH,TEK,#8-18 X 1/2",SST,BZP



## STEP PAD LOCATION GUIDE



VEHICLE MODEL	PAD A	PAD B
SILVERADO/SIERRA DOUBLE CAB	14-3/4	46-3/4
SILVERADO/SIERRA EXTENDED CAB	14-3/4	41-3/4
SILVERADO/SIERRA CREW CAB	14-3/4	54-1/4
CHEVROLET EXPRESS VAN & GMC SAVANA VAN	7-1/2	N/A
RAM QUAD CAB	10-1/2	46
RAM CREW CAB	10-1/2	48
RAM MEGA CAB	10-1/2	52-1/16
FORD F150 SUPER CAB	18-1/4	46-1/4
FORD F150 SUPER CREW CAB	18-1/4	56-1/2
FORD F150 SUPER CREW CAB	18-1/4	56-1/2
FORD SUPER DUTY SUPER CAB	6-7/8	39-1/16
FORD SUPER DUTY CREW CAB	6-7/8	52-7/8
FORD	7-1/2	N/A

**NOTE: THE ABOVE PAD LOCATIONS ARE ONLY SUGGESTIONS AND MAY BE PLACED AT THE PURCHASERS DISCRETION.**

# INSTALLATION INSTRUCTIONS AND PARTS LIST

## MODEL 571345 MEGA STEPS

VEHICLE APPLICATION:

2003 AND NEWER 135" WB CHEVROLET EXPRESS AND GMC SAVANA VANS

**READ INSTRUCTIONS COMPLETELY AND CHECK TO MAKE SURE THAT ALL REQUIRED PARTS (LISTED ON SERVICE PARTS LIST) ARE ON HAND BEFORE STARTING THE INSTALLATION**

1. ON THE LEFT SIDE OF THE VEHICLE, REMOVE THE FRONT BODY MOUNTING BOLT. THE BOLT, STEEL WASHER AND RUBBER CUSHION WILL BE REUSED.
2. INSTALL THE MULTI-THREAD U-NUT (ITEM #11) ON THE FRONT MOUNTING BRACKET (ITEM #2). (NOTE: INSTALL IN THE TOP HOLE FOR 1500 VANS. INSTALL IN THE BOTTOM HOLE FOR 2500 & 3500 VANS.)
3. INSTALL THE FRONT MOUNTING BRACKET (ITEM #2) TO THE FRONT BODY MOUNT WITH THE WASHER AND THE RUBBER CUSHION BETWEEN THE MOUNTING BRACKET AND THE BODY MOUNT. THE STEP END OF THE BRACKET SHOULD BE PERPENDICULAR TO THE OUTSIDE BODY. TIGHTEN THE BOLT TO 65 LB. FT
4. INSTALL A 3/8"-16 SERRATED FLANGE NUT (ITEM #10) ON THE 3/8"-16 X 5" HEX BOLT (ITEM #9) WITH THE FLANGE FACING TOWARD THE END OF THE BOLT AND TURN ON JUST SHORT OF THE HEAD. SCREW THE BOLT INTO THE U-NUT AND WHEN IT COMES THROUGH THE OTHER SIDE START ANOTHER FLANGE NUT FACING THE AS THE FIRST NUT. TURN THE NUT ON UNTIL THERE IS 3/4" PROTRUDING FROM THE FACE OF THE NUT, INSTALL A 3/8" FLAT WASHER (ITEM #18) AND THE .354 X 1.00 X .748 RUBBER WASHER (ITEM #14) INTO THE END OF THE BOLT. ADJUST THE LOAD REACTION BOLT ASSEMBLY SO THAT THE RUBBER CUSHION IS SNUG AGAINST THE FRAME AND TIGHTEN DOWN THE OUTSIDE FLANGE NUT. (LOAD REACTION BOLT ASSEMBLY) AS SHOWN IN *fig. 1*.
5. REMOVE THE SECOND BODY MOUNTING BOLT. THE BOLT, STEEL WASHER AND RUBBER CUSHION WILL BE REUSED.
6. INSTALL THE MULTI-THREAD U-NUT (ITEM #11) ON THE SECOND MOUNTING BRACKET (ITEM #4). INSTALL A .364 X .625 CAP PLUG (ITEM #13) ONTO THE END OF THE "U" NUT. (NOTE: INSTALL IN THE TOP HOLE FOR 1500 VANS. INSTALL IN THE BOTTOM HOLE FOR 2500 & 3500 VANS.)
7. INSTALL THE SECOND MOUNTING BRACKET (ITEM #4) TO THE SECOND BODY MOUNT WITH THE WASHER AND THE RUBBER CUSHION BETWEEN THE MOUNTING BRACKET AND THE BODY MOUNT. THE STEP END OF THE BRACKET SHOULD BE PERPENDICULAR TO THE OUTSIDE BODY. TIGHTEN THE BOLT TO 65 LB. FT.
8. INSTALL A 3/8"-16 SERRATED FLANGE NUT (ITEM #10) ON THE 3/8"-16 X 1-3/4" HEX BOLT (ITEM #8) WITH THE FLANGE FACING TOWARD THE END OF THE BOLT AND TURN ON JUST SHORT OF THE HEAD. SCREW THE BOLT INTO THE U-NUT AND WHEN IT COMES THROUGH THE OTHER SIDE ADJUST THE LOAD REACTION BOLT ASSEMBLY SO THAT THE RUBBER PLUG IS SNUG AGAINST THE FRAME AND TIGHTEN DOWN THE OUTSIDE FLANGE NUT. (LOAD REACTION BOLT ASSEMBLY) AS SHOWN IN *fig. 1*.



(A LIVERNE Company)

9. AFTER MOUNTING THE 1<sup>st</sup> AND 2<sup>nd</sup> BRACKET, MEASURE FROM THE BOTTOM OF THE BODY FLANGE DOWN TO THE BOTTOM OF THE MOUNTING BRACKETS TO MAKE SURE THEY ARE THE SAME, AND WHEN INSTALLING THE 3<sup>rd</sup> BRACKET ADJUST IT TO THIS DIMENSION BEFORE TIGHTENING THE BOLTS.
10. REMOVE THE NUT AND WASHER FROM THE FRONT SPRING SHACKLE BOLT. SAVE THE NUT TO BE REUSED. INSTALL THE BLACK SPACER WASHER (ITEM #15), MOUNTING BRACKET (ITEM #6), 5/8" FLAT WASHER (ITEM #12) AND THE FACTORY NUT ONTO THE SPRING SHACKLE BOLT. ADJUST THE HEIGHT AND TIGHTEN TO 65 LB. FT.
11. REPEAT STEPS 1 THRU 10 ON THE RIGHT SIDE OF THE VEHICLE.
12. INSTALL FOUR SQUARE HEAD SCREWS, 5/16"-18 X 1" (ITEM #16) IN THE FRONT TRACK OF THE STEP PLATES.
13. POSITION THE MEGA STEP ON THE MOUNTING BRACKETS SO THAT THE SQUARE HEAD SCREWS ARE LOCATED IN THE SLOTS OF THE MOUNTING BRACKETS AND THE STEP IS CENTERED, FRONT TO REAR, ON THE VEHICLE. INSTALL 5/16" SERRATED FLANGE NUTS (ITEM #17) ON THE SQUARE HEAD SCREWS. FINGER TIGHTEN ONLY AT THIS TIME.
14. ALIGN THE STEP PLATE WITH THE BOTTOM OF THE BODY SHEET METAL. THE TOP OF THE STEP SHOULD BE APPROXAMATELY 2-1/2" FROM THE BOTTOM OF THE BODY PANEL.
15. TIGHTEN THE STEP PLATE BOLTS TO 19 FOOT POUNDS OF TORQUE.

### SERVICE PARTS LIST

ITEM	PART NO.	QTY	DESCRIPTION
1	575098	1	STEP ASSY- 98.00" (MOD. 575098)
2	552100	1	MOUNTING BRACKET – LH, FRONT
3	552101	1	MOUNTING BRACKET – RH, FRONT
4	552264	1	MOUNTING BRACKET – CENTER, RH
5	552267	1	MOUNTING BRACKET – CENTER, LH
6	552106	1	MOUNTING BRACKET – REAR, LH
7	552107	1	MOUNTING BRACKET – REAR, RH
8	107211	2	SCREW – HEX WASHER HEAD, 3/8"-16 X 1-3/4", ZP
9	109474	2	SCREW – HEX HEAD CAP, 3/8"-16 X 5", FT, ZP
10	100181	6	NUT – SERRATED FLANGE, 3/8"-16, ZP
11	109258	4	U-NUT – MULTI THREAD, 3/8"-16 X 1.09"
12	100147	2	FLAT WASHER - 5/8", ZP
13	103325	2	CAP PLUG - .364 X .625, VINYL, BLACK
14	102592	2	RUBBER WASHER - .354 X 1.00 X .748
15	552109	2	SPACER WASHER – 1/8" x 1-3/4"
16	106880	12	BOLT - SQUARE HEAD, 5/16"-18 X 1", ZP <b>(INCLUDED IN STEP)</b>
17	102680	12	NUT – HEX FLANGE, 5/16"-18 <b>(INCLUDED IN STEP)</b>
18	106962	2	FLAT WASHER – 3/8", SST, BZP



SERVICE PARTS LIST

MODEL NO. - 571345

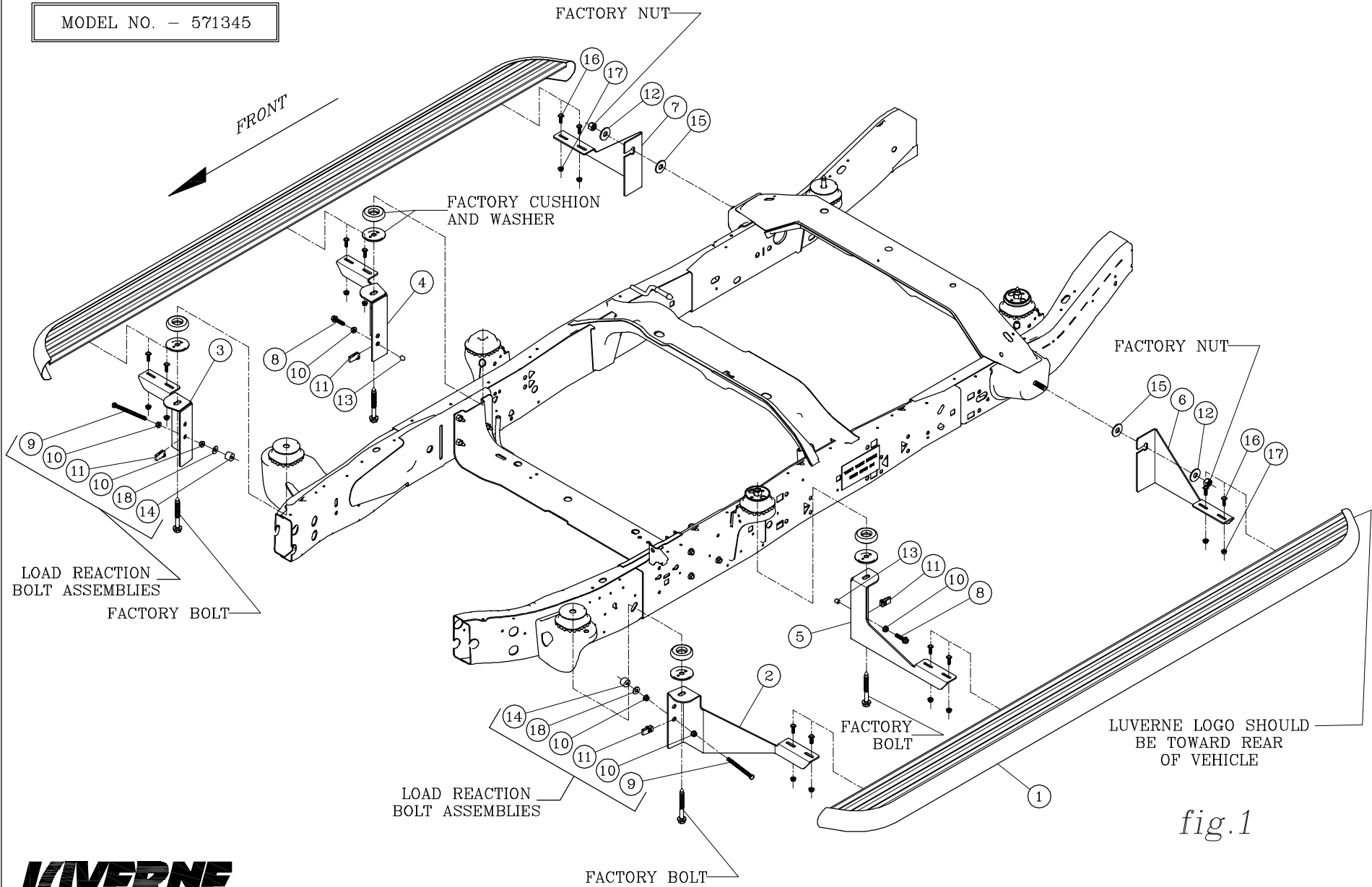


fig.1



Choose reliable running boards offered on our website.