

INSTALLATION INSTRUCTIONS AND PARTS LIST

MODEL 583072, 583078, 583088, 584072, 584078, 584088 O-MEGA II 6" OVAL STEPS
UNIVERSAL APPLICATION

1. READ INSTRUCTIONS COMPLETELY AND CHECK TO MAKE SURE THAT ALL REQUIRED PARTS (LISTED ON THE SERVICE PARTS LIST) ARE ON HAND BEFORE STARTING THE INSTALLATION.
2. FOLLOW THE INSTRUCTIONS INCLUDED WITH THE SPECIFIC BRACKET PACKAGE THAT YOU ARE USING, TO MOUNT THE BRACKETS TO YOUR VEHICLE.
3. BEFORE ATTACHING THE O-MEGA STEPS TO THE BRACKETS, PLACE THE STEP PADS (ITEM #2) ON TOP OF THE STEP PLATES. USE THE TABLE ON SHEET #2, AS A GUIDE TO POSITION THE STEP PAD FOR YOUR PARTICULAR VEHICLE. WHEN INSTALLING THE PADS ON THE STEPS, DRILL (5) 1/8" HOLE USING THE STEP PAD AS A GUIDE. ATTACH WITH (5) 8-18X1/2" TEK SCREWS (ITEM #6) PROVIDED. REPEAT FOR ALL STEP PADS.
4. INSTALL THE REQUIRED NUMBER OF SQUARE HEAD BOLTS INTO THE DESIGNATED SLOTS IN THE BOTTOM OF THE STEP PLATES.
5. INSTALL THE END CAPS (ITEM #3) AS SHOWN IN *fig. 1*, TIGHTENING THE NUTS TO 5 LB FT.
6. POSITION THE O-MEGA STEP ON THE MOUNTING BRACKETS SO THAT THE SQUARE HEAD SCREWS (ITEM #4) ARE LOCATED IN THE SLOTS OF THE MOUNTING BRACKETS AND THE STEP IS CENTERED, FRONT TO REAR, ON THE VEHICLE. INSTALL 5/16" SERRATED FLANGE NUTS (ITEM #5) ON THE SQUARE HEAD SCREWS (ITEM #4) AND TIGHTEN TO 19 LB FT.

SERVICE PARTS LIST

ITEM	PART NO.	QTY	DESCRIPTION
1	553071	2	EXTRUSION-AL,69.0,OMEGA STP,SILVER
1	553072	2	EXTRUSION-AL,75.0,OMEGA STP,SILVER
1	553073	2	EXTRUSION-AL,85.0,OMEGA STP,SILVER
1	553059	2	EXTRUSION-AL,69.0,OMEGA STP,BLACK
1	553060	2	EXTRUSION-AL,75.0,OMEGA STP,BLACK
1	553061	2	EXTRUSION-AL,85.0,OMEGA STP,BLACK
2	552970	4	ALUM,STP-PAD,BLK,OMEGA-STEP
3	107956	4	CAP-END,PLSTC,2.95 X 6.70
4	106880	24	SCREW-SQ HD,5/16-18 X 1,MAGNIGUARD
5	102680	24	NUT-SERR FLG,HX,SST,WX,5/16-18
6	107958	20	SCREW-PPH,TEK,#8-18 X 1/2",SST,BZP



STEP PAD LOCATION GUIDE



VEHICLE MODEL	PAD A	PAD B
SILVERADO/SIERRA DOUBLE CAB	14-3/4	46-3/4
SILVERADO/SIERRA EXTENDED CAB	14-3/4	41-3/4
SILVERADO/SIERRA CREW CAB	14-3/4	54-1/4
COLORADO/CANYON EXTENDED CAB	10-1/2	43
COLORADO/CANYON CREW CAB	10-1/2	51
AVALANCHE/SUBURBAN/YUKON XL	15-1/4	55-1/4
TAHOE/YUKON	15-1/4	48-1/4
RAM QUAD CAB	10-1/2	46
RAM CREW CAB	10-1/2	48
RAM MEGA CAB	10-1/2	52-1/16
DODGE DAKOTA QUAD CAB	10-1/2	39
DODGE DURANGO	15-1/4	50-1/4
FORD F150 SUPER CAB	18-1/4	46-1/4
FORD F150 SUPER CREW CAB	18-1/4	56-1/2
FORD SUPER DUTY SUPER CAB	14-1/4	42
FORD SUPER DUTY CREW CAB	12	58-1/4
TOYOTA TUNDRA DOUBLE CAB 07+	8-1/4	49-1/4
TOYOTA TUNDRA CREWMAX07+	8-1/4	54-1/4
TOYOTA TACOMA ACCESS CAB	8-1/4	30-1/5
TOYOTA TACOMA DOUBLE CAB	18-3/4	55-1/4

NOTE: THE ABOVE PAD LOCATIONS ARE ONLY SUGGESTIONS AND MAY BE PLACED AT THE PURCHASERS DISCRETION.

INSTALLATION INSTRUCTIONS AND PARTS LIST
MODEL 571054 MEGA STEP BRACKETS:
2010+ TOYOTA 4 RUNNER



PLEASE READ INSTRUCTIONS COMPLETELY BEFORE INSTALLATION.

1. LOCATE THE THREE MOUNTING BRACKETS ON THE UNDERSIDE OF THE ROCKER PANEL THAT ARE USED AS SUPPORTS FOR THE ROCKER PANEL MOLDING.
2. REMOVE THE TWO M8 BOLTS FROM EACH BRACKET.
3. MOUNT THE FRONT BRACKET (ITEM #2), THIS BRACKET WILL MOUNT OVER THE ROCKER PANEL BRACKET, FASTEN WITH THE SUPPLIED M8 BOLTS AND WASHERS (ITEM #4&5). TIGHTEN DOWN TO 19 FT LBS.
4. MOUNT THE SECOND AND THIRD BRACKETS (ITEM #3), BY GENTLY PULLING DOWN THE ON THE ROCKER PANEL BRACKET AND SLIDING THE STEP BRACKET (ITEM #3) IN PLACE AND FASTEN WITH THE M8 BOLTS AND WASHERS (ITEM #4&5). TIGHTEN DOWN TO 19 FT LBS.
5. PREPARE THE MEGA STEP PLATES FOR MOUNTING BY INSERTING THREE (3) 5/16" SQUARE HEAD SCREWS (ITEM #7) IN THE OUTER SLOT ON THE UNDER SIDE OF EACH STEP.
6. POSITION THE MEGA STEP ON THE MOUNTING BRACKETS SO THAT THE SQUARE HEAD SCREWS ARE LOCATED IN THE SLOTS OF THE MOUNTING BRACKETS AND THE STEP IS CENTERED, FRONT TO REAR, ON THE VEHICLE. INSTALL 5/16" SERRATED FLANGE NUTS (ITEM #6) ON THE SQUARE HEAD SCREWS AND TIGHTEN TO 19 FT LBS.

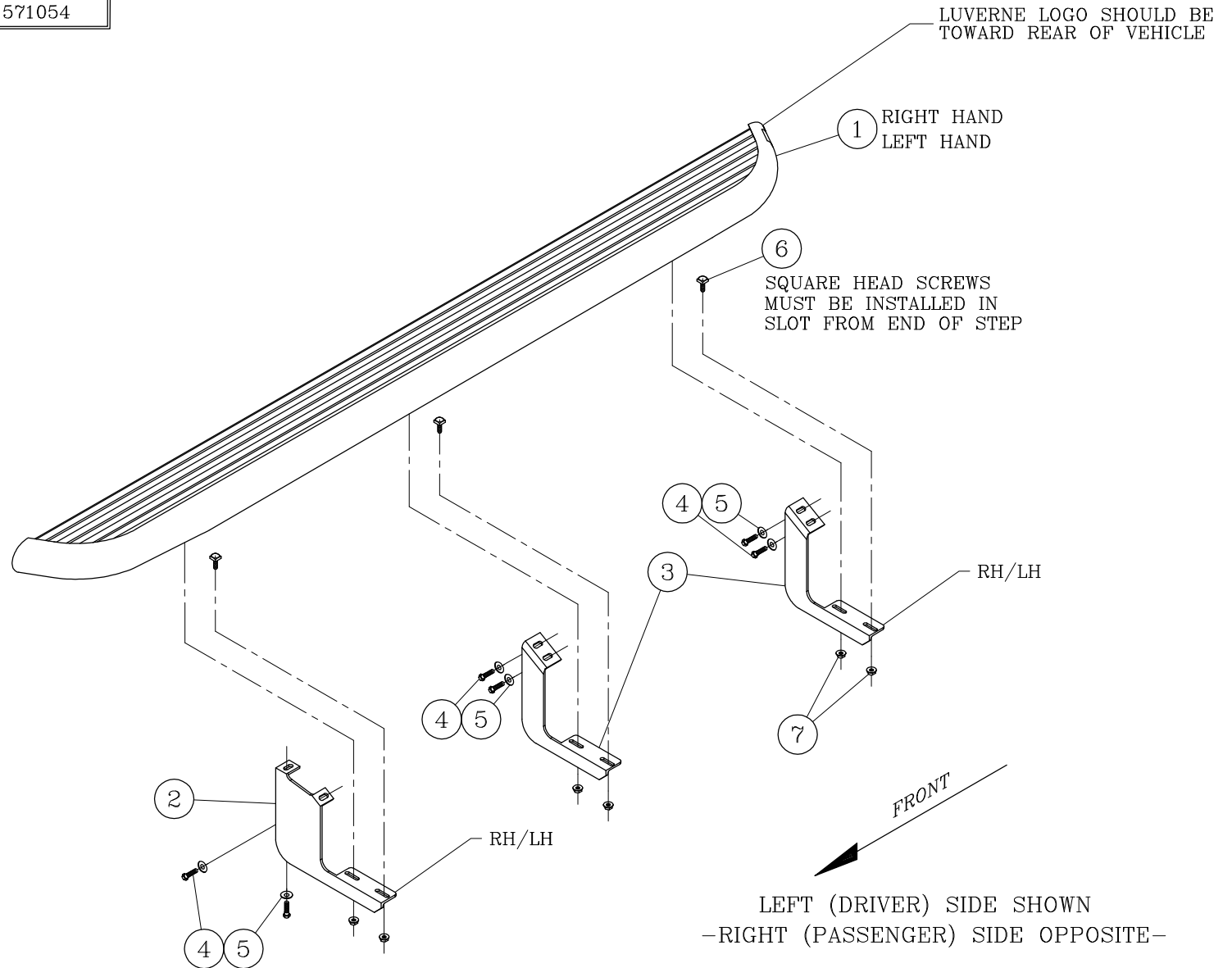
SERVICE PARTS LIST

ITEM	PART NO.	QTY	DESCRIPTION
1	575072	1	MEGA STEP BOARDS 72"
1	585072	1	O-MEGA STEP BOARDS 72"
2	552294	2	STEP BRACKET-FRONT, LH/RH
3	552295	4	STEP BRACKET-REAR, LH/RH
4	102549	12	SCR-HEX,M8X1.25X25MM, ZP
5	100034	12	WSHR-FL,SST, 5/16, ZP
6	102680	12	NUT-SERR FLG,SST,5/16
7	106880	12	SCR-SQ HD,5/16-18X1.00

**NOTE: ITEMS #1, 6, &7 ARE PACKAGED WITH THE
BOARDS, AND NOT THE BRACKETS.**

SERVICE PARTS LIST

BRACKET NO. - 571054



Choose reliable running boards offered on our website.