

INSTALLATION INSTRUCTIONS AND PARTS LIST

MODEL 583072, 583078, 583088, 584072, 584078, 584088 O-MEGA II 6" OVAL STEPS
UNIVERSAL APPLICATION

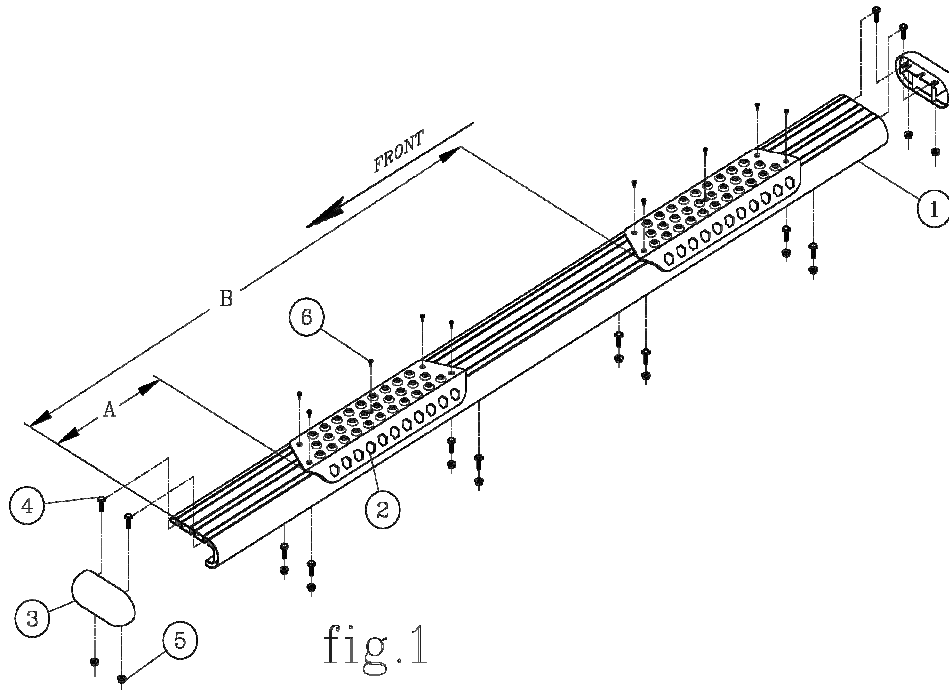
1. READ INSTRUCTIONS COMPLETELY AND CHECK TO MAKE SURE THAT ALL REQUIRED PARTS (LISTED ON THE SERVICE PARTS LIST) ARE ON HAND BEFORE STARTING THE INSTALLATION.
2. FOLLOW THE INSTRUCTIONS INCLUDED WITH THE SPECIFIC BRACKET PACKAGE THAT YOU ARE USING, TO MOUNT THE BRACKETS TO YOUR VEHICLE.
3. BEFORE ATTACHING THE O-MEGA STEPS TO THE BRACKETS, PLACE THE STEP PADS (ITEM #2) ON TOP OF THE STEP PLATES. USE THE TABLE ON SHEET #2, AS A GUIDE TO POSITION THE STEP PAD FOR YOUR PARTICULAR VEHICLE. WHEN INSTALLING THE PADS ON THE STEPS, DRILL (5) 1/8" HOLE USING THE STEP PAD AS A GUIDE. ATTACH WITH (5) 8-18X1/2" TEK SCREWS (ITEM #6) PROVIDED. REPEAT FOR ALL STEP PADS.
4. INSTALL THE REQUIRED NUMBER OF SQUARE HEAD BOLTS INTO THE DESIGNATED SLOTS IN THE BOTTOM OF THE STEP PLATES.
5. INSTALL THE END CAPS (ITEM #3) AS SHOWN IN *fig. 1*, TIGHTENING THE NUTS TO 5 LB FT.
6. POSITION THE O-MEGA STEP ON THE MOUNTING BRACKETS SO THAT THE SQUARE HEAD SCREWS (ITEM #4) ARE LOCATED IN THE SLOTS OF THE MOUNTING BRACKETS AND THE STEP IS CENTERED, FRONT TO REAR, ON THE VEHICLE. INSTALL 5/16" SERRATED FLANGE NUTS (ITEM #5) ON THE SQUARE HEAD SCREWS (ITEM #4) AND TIGHTEN TO 19 LB FT.

SERVICE PARTS LIST

ITEM	PART NO.	QTY	DESCRIPTION
1	553071	2	EXTRUSION-AL,69.0,OMEGA STP,SILVER
1	553072	2	EXTRUSION-AL,75.0,OMEGA STP,SILVER
1	553073	2	EXTRUSION-AL,85.0,OMEGA STP,SILVER
1	553059	2	EXTRUSION-AL,69.0,OMEGA STP,BLACK
1	553060	2	EXTRUSION-AL,75.0,OMEGA STP,BLACK
1	553061	2	EXTRUSION-AL,85.0,OMEGA STP,BLACK
2	552970	4	ALUM,STP-PAD,BLK,OMEGA-STEP
3	107956	4	CAP-END,PLSTC,2.95 X 6.70
4	106880	24	SCREW-SQ HD,5/16-18 X 1,MAGNIGUARD
5	102680	24	NUT-SERR FLG,HX,SST,WX,5/16-18
6	107958	20	SCREW-PPH,TEK,#8-18 X 1/2",SST,BZP



STEP PAD LOCATION GUIDE



VEHICLE MODEL	PAD A	PAD B
SILVERADO/SIERRA DOUBLE CAB	14-3/4	46-3/4
SILVERADO/SIERRA EXTENDED CAB	14-3/4	41-3/4
SILVERADO/SIERRA CREW CAB	14-3/4	54-1/4
COLORADO/CANYON EXTENDED CAB	10-1/2	43
COLORADO/CANYON CREW CAB	10-1/2	51
AVALANCHE/SUBURBAN/YUKON XL	15-1/4	55-1/4
TAHOE/YUKON	15-1/4	48-1/4
RAM QUAD CAB	10-1/2	46
RAM CREW CAB	10-1/2	48
RAM MEGA CAB	10-1/2	52-1/16
DODGE DAKOTA QUAD CAB	10-1/2	39
DODGE DURANGO	15-1/4	50-1/4
FORD F150 SUPER CAB	18-1/4	46-1/4
FORD F150 SUPER CREW CAB	18-1/4	56-1/2
FORD SUPER DUTY SUPER CAB	14-1/4	42
FORD SUPER DUTY CREW CAB	12	58-1/4
TOYOTA TUNDRA DOUBLE CAB 07+	8-1/4	49-1/4
TOYOTA TUNDRA CREWMAX07+	8-1/4	54-1/4
TOYOTA TACOMA ACCESS CAB	8-1/4	30-1/5
TOYOTA TACOMA DOUBLE CAB	18-3/4	55-1/4

NOTE: THE ABOVE PAD LOCATIONS ARE ONLY SUGGESTIONS AND MAY BE PLACED AT THE PURCHASERS DISCRETION.

INSTALLATION INSTRUCTIONS AND PARTS LIST

MODEL 570237 W2W MEGA STEP BRACKETS:
2002 AND NEWER 1500 DODGE RAM QUAD CAB PICKUPS
2003 AND NEWER 2500/3500 DODGE RAM QUAD CAB PICKUPS



1. READ INSTRUCTIONS COMPLETELY AND CHECK TO MAKE SURE THAT ALL REQUIRED PARTS (LISTED ON SERVICE PARTS LIST) ARE ON HAND BEFORE STARTING THE INSTALLATION.
2. ASSEMBLE THE LOAD REACTION STUDS AND HARDWARE (ITEM #13 THRU #16) AS FOLLOWS.
 - 2.1. ON THE SHORT THREADED END OF THE LOAD REACTION STUD (ITEM #13), INSTALL A 3/8" SERRATED FLANGE NUT (ITEM #15) BACKWARDS TO THE BOTTOM OF THE THREAD. THEN, INSTALL A 3/8" FLAT WASHER (ITEM #16) AND RUBBER "CUSHION" WASHER (ITEM #14) TIGHT UP AGAINST THE SERRATED FLANGE NUT. (THE END OF THE STUD MUST BE RECESSED IN THE RUBBER WASHER APPROX. 3/16").
 - 2.2. ON THE LONG THREADED END OF THE STUD, INSTALL A 3/8" SERRATED FLANGE NUT (ITEM #15) BACKWARDS TO NEAR TO THE BOTTOM OF THE THREADS.
3. ATTACH THE LOAD REACTION STUD ASSEMBLIES TO THE FRONT STEP MOUNTING BRACKETS AS SHOWN.
 - 3.1. INSERT THE STUD, FROM WHAT WILL BE THE INBOARD OR FRAME SIDE, THRU THE HOLE IN THE BENT FLANGE OF THE STEP BRACKET SO THAT THE RUBBER WASHER WILL SEAT FIRM AGAINST THE SIDE WALL OF THE FRAME. INSTALL A FLANGE NUT ON THE OUTBOARD END OF THE STUD. (FINGER TIGHT ONLY).
4. REMOVE THE FACTORY FRONT, CENTER AND REAR BODY MOUNT BOLTS (ONE SIDE OF THE VEHICLE AT A TIME) AND INSTALL THE STEP MOUNTING BRACKETS. ON MODEL YEAR 2002 THRU 2005 THE BODY MOUNT STEEL WASHER PLATES WITH RUBBER CUSHIONS ARE REUSED BETWEEN THE BODY MOUNTS AND THE STEP MOUNTING BRACKETS. ON MODEL YEAR 2006 TO CURRENT USE A 5/8" FLAT WASHER (ITEM #12) BETWEEN THE BOTTOM OF THE BODY MOUNT AND THE STEP MOUNTING BRACKET.
 - 4.1. ATTACH THE FRONT, CENTER AND REAR STEP MOUNTING BRACKETS. (ITEM #2 THRU #6) TO THE BODY MOUNTS AS SHOWN. USE M12-1.75 X 110mm (APPROX 4-3/8" LONG) HEX HEAD BOLTS (ITEM #9), 1/2" LOCK WASHERS (ITEM #10) AND 1/2" FLAT WASHERS (ITEM #11).
 - 4.2. LOCATE THE FRONT, CENTER AND REAR STEP MOUNTING BRACKETS TO THE INBOARD MOUNTING POSITION. THIS IS DONE BY PUSHING THE BRACKETS INWARD TO THE END OF THE SLOT.
 - 4.3. ROTATE THE STEP BRACKETS SO THAT THE SLOTS IN THE FLAT STEP PLATE MOUNTING SURFACE ARE STRAIGHT OUT (AT 90 DEGREE ANGLE) FROM THE FRAME. TORQUE ALL BODY MOUNT BOLTS TO 60 LB. FT
5. ATTACH THE STEP ASSEMBLIES (ITEM #1) TO THE STEP MOUNTING BRACKETS.
 - 5.1. INSERT FOUR (4) 5/16-18 SQUARE HEAD SCREWS (ITEM #7) IN THE OUTBOARD SLOT ON THE UNDER SIDE OF EACH STEP. (THE FRONT THREE (3) SETS OF FASTENERS WILL BE USED TO ATTACH THE STEP TO THE CAB BODY MOUNT BRACKETS).
 - 5.2. POSITION THE STEP ON THE STEP MOUNTING BRACKETS SO THAT THE STEP IS CENTERED, FRONT TO REAR, ON THE CAB AND BOX AND THE SQUARE HEAD SCREWS ARE LOCATED IN THE SLOTS OF THE CAB STEP MOUNTING BRACKETS.
 - 5.3. INSTALL 5/16-18 SERRATED FLANGE NUTS (ITEM #8) ON THE SQUARE HEAD SCREWS AND TIGHTEN TO 19 LB FT.

6. ATTACH THE LOAD REACTION STUD ASSEMBLIES AND 90 DEGREE MOUNTING BRACKETS (ITEM #17) TO THE CENTER AND REAR STEP MOUNTING BRACKETS AS SHOWN.
 - 6.1. USE A 5/16" X 1.00" HEX HD SCREW (ITEM #18), 5/16" SERRATED FLANGE NUT (ITEM #19) AND 5/16" FLAT WASHER (ITEM #20). INSERT THE STUD ASSY THRU THE HOLE IN THE 90 DEGREE BRACKET AND INSTALL A FLANGE NUT ON THE OUTBOARD END OF THE STUD.
 - 6.2. ADJUST THE FRONT & CENTER STUD ASSY SO THAT THE RUBBER WASHER IS FIRM AGAINST THE SIDE OF THE FRAME. ADJUST THE REAR STUD ASSY SO THAT THE RUBBER WASHER IS FIRM AGAINST THE INCLINED SURFACE OF THE BODY MOUNT HOUSING.
 - 6.3. TIGHTEN THE LOAD REACTION STUD ADJUSTING NUTS TO 19 LB FT.
7. ATTACH THE REAR MOUNTING BRACKETS AGAINST THE VEHICLE SPRING SHACKLE AND ON THE MEGA STEP AS SHOWN.
 - 7.1. REMOVE THE FACTORY FLANGE NUT FROM THE SPRING HANGER BOLT. (TO KEEP THE BOLT FROM TURNING, HOLD THE HEX PORTION OF THE HANGER BOLT WHILE REMOVING THE FLANGE NUT). USING THE OBOUNDED HOLE NEAR THE TOP OF THE REAR INBOARD MOUNTING BRACKET (ITEM #21), SLIDE THE BRACKET OVER THE SPRING HANGER BOLT AND REINSTALL THE FACTORY FLANGE NUT. (FINGER TIGHT ONLY).
 - 7.2. INSTALL THE REAR OUTBOARD MOUNTING BRACKET (ITEM #22) ON THE MEGA STEP AS SHOWN. USE 5/16-18 SERRATED FLANGE NUTS (ITEM #8). ADJUST THE INBOARD BRACKET UP & DOWN SO THAT THE SLOTS AND HOLES IN THE INBOARD AND OUTBOARD BRACKETS MATCH. FASTEN WITH 5/16" X 1.00" HEX HD CAP SCREWS (ITEM #18), 5/16" FLAT WASHERS (ITEM #20) AND 5/16" SERRATED FLANGE NUTS (ITEM #19) AS SHOWN.
 - 7.3. TIGHTEN THE SPRING HANGER FLG. NUT TO 60 LB FT & THE 5/16" FASTENERS TO 19 LB FT.

SERVICE PARTS LIST

ITEM	PART NO.	QTY	DESCRIPTION
1		2	MEGA STEP BOARD ASSEMBLY (SOLD SEPARATELY) LENGTH WILL VARY DEPENDING ON APPLICATION
2	551565	1	BRKT- MTG, STEP, FRONT, RH
3	551566	1	BRKT- MTG, STEP, FRONT, LH
4	551567	2	BRKT- MTG, STEP, CENTER, RH/LH
5	551569	1	BRKT- MTG, STEP, REAR, RH
6	551570	1	BRKT- MTG, STEP, REAR, LH
7	106880	8	SCREW-SQUARE HEAD, 5/16 18 UNC
8	102680	16	NUT- SERRATED FLANGE, HEX, SST, 5/16-18 UNC
9	103444	6	BOLT- HEX HD CAP, M12-1.75 X 110mm (4-3/8"), BZP
10	100121	6	WSHR- LOCK, 1/2", ZP
11	100118	6	WSHR- PL, A, STL, 1/2", ZP
12	100147	6	WASHER- PL, STL, (5/8") .688 X 1.75 X .134, ZP
13	106960	6	STUD- DBL ENDED, STL, 3/8-16RT, X 4.50", BZP
14	102592	6	WASHER- RUBBER, .354 ID X 1.00 OD X .75 THK
15	106995	18	NUT- SERR FLG, HEX, SST, 3/8-16UNC, BLK ZP
16	106962	6	WASHER- PL, A, SST, 3/8", .438 ID X 1.00 OD X .083 THK, BZP
17	551571	4	BRKT- 90 DEG, 3 HOLE, 1.25"X1.25"/2.25"LEGS
18	106997	8	SCR- HHC, 5/16-18 X 1.00", SST, BZP
19	106996	8	NUT- SERR FLG, HEX, SST, 5/16-18UNC, BLK ZP
20	106998	8	WASHER- PL, SST, 5/16", .75 ID X .875 OD X .083 THK, BZP
21	551720	2	BRKT- MTG, STEP, REAR INBOARD, RH/LH
22	551721	2	BRKT- MTG, STEP, REAR OUTBOARD, RH/LH

SERVICE PARTS LIST

BRACKET NO. - 570237

LUVERNE LOGO SHOULD BE TOWARD REAR OF VEHICLE

1 RIGHT HAND
LEFT HAND

FACTORY SPRING HANGER BOLT & NUT
WRENCH SIZES 1500 RAM: 21mm NUT & 10mm HEX
2500 RAM: 24mm NUT & 11mm HEX

7 SQUARE HEAD SCREWS
MUST BE INSTALLED IN
SLOT FROM END OF STEP

POSITION RUBBER WASHER
AGAINST INCLINED SURFACE
OF BODY MOUNT HOUSING

EXISTING BODY MOUNT

USED ON MODEL YEAR
2006 TO CURRENT

POSITION RUBBER
WASHER AGAINST
SIDE OF FRAME AT
FRONT & CENTER

21 RH/LH

22 RH/LH

5 RH REAR

6 LH REAR

4 RH/LH CENTER

2 RH FRONT

3 LH FRONT

9 TORQUE PER
INSTRUCTION

LEFT (DRIVER) SIDE SHOWN
-RIGHT (PASSENGER) SIDE OPPOSITE-

LUVERNE
TRUCK
EQUIPMENT
INC.