

INSTALLATION INSTRUCTIONS AND PARTS LIST

MODEL 583036, 584036 O-MEGA II 6" OVAL STEPS

1. READ INSTRUCTIONS COMPLETELY AND CHECK TO MAKE SURE THAT ALL REQUIRED PARTS (LISTED ON THE SERVICE PARTS LIST) ARE ON HAND BEFORE STARTING THE INSTALLATION.
2. FOLLOW THE INSTRUCTIONS INCLUDED WITH THE SPECIFIC BRACKET PACKAGE THAT YOU ARE USING, TO MOUNT THE BRACKETS TO YOUR VEHICLE.
3. BEFORE ATTACHING THE O-MEGA STEPS TO THE BRACKETS, PLACE THE STEP PADS (ITEM #2) ON TOP OF THE STEP PLATES ACCORDINGLY FOR YOUR VEHICLE. USING THE HOLES IN THE STEP PAD AS A GUIDE DRILL (5) 1/8" PILOT HOLES. ATTACH WITH (5) 8-18X1/2" TEK SCREWS (ITEM #6) PROVIDED. REPEAT FOR ALL STEP PADS.
4. INSTALL THE REQUIRED NUMBER OF SQUARE HEAD SCREWS (ITEM#4) INTO THE DESIGNATED SLOTS IN THE BOTTOM OF THE STEP PLATES.
5. INSTALL THE END CAPS (ITEM #3) AS SHOWN IN (FIG.1), TIGHTENING THE SERRATED NUTS (ITEM#5) TO 5 LB FT.
6. POSITION THE O-MEGA STEP ON THE MOUNTING BRACKETS SO THAT THE SQUARE HEAD SCREWS (ITEM #4) ARE LOCATED IN THE SLOTS OF THE MOUNTING BRACKETS AND THE STEP IS CENTERED, FRONT TO REAR, ON THE VEHICLE. INSTALL 5/16" SERRATED FLANGE NUTS (ITEM #5) ON THE SQUARE HEAD SCREWS (ITEM #4) AND TIGHTEN TO 19 LB FT.

SERVICE PARTS LIST

ITEM	PART NO.	QTY	DESCRIPTION
1	553068	2	EXTRUSION-AL,33.00"OMEGA, SILVER
1	553056	2	EXTRUSION-AL,33.00"OMEGA, BLACK
2	552970	2	ALUM, STP-PAD, BLK, OMEGA-STEP
3	107956	4	CAP-END,PLSTC,2.95 X 6.70
4	106880	16	SCREW-SQ HD,5/16-18 X 1,MAGNIGUARD
5	102680	16	NUT-SERR FLG,HX,SST,WX,5/16-18
6	107958	10	SCREW-PPH,TEK,#8-18 X 1/2",SST,BZP



SERVICE PARTS LIST

BRACKET NO. - 583036/584036

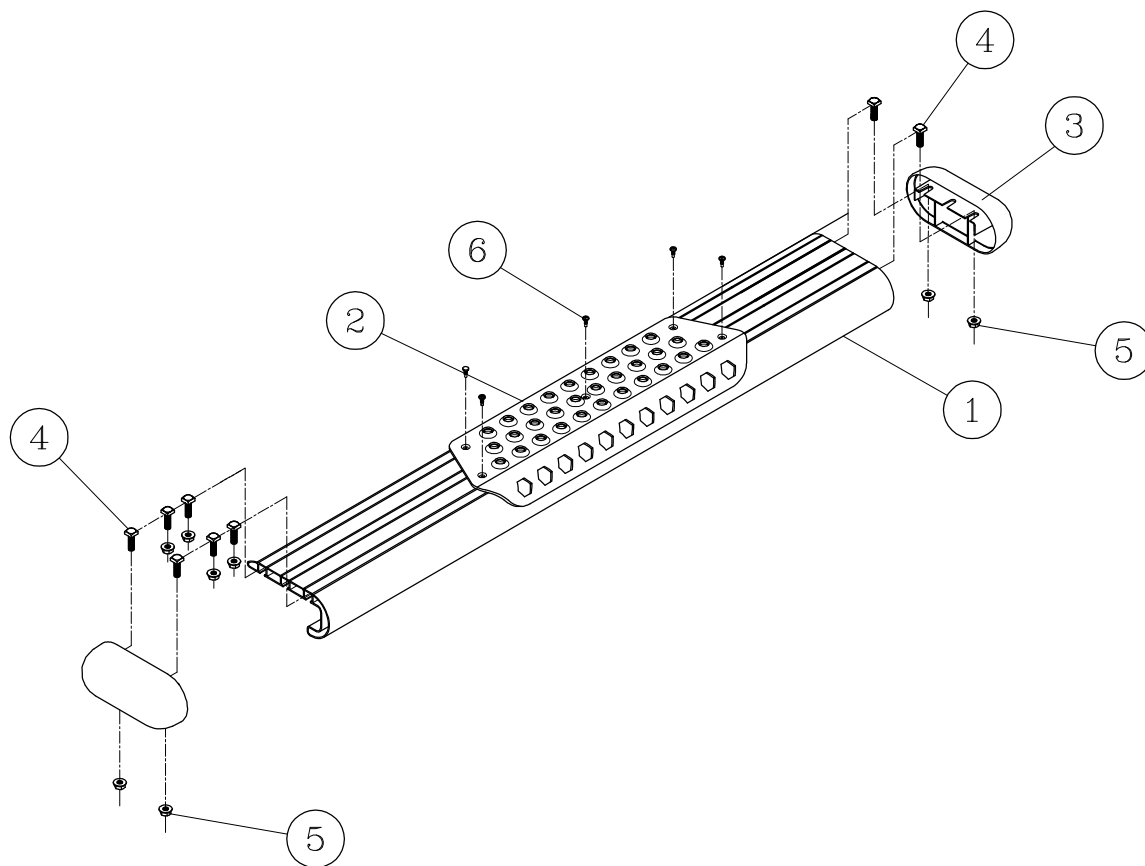


fig.1

INSTALLATION INSTRUCTIONS AND PARTS LIST

MODEL 570340 MEGA STEPS

VEHICLE APPLICATION:

2003 AND NEWER 135" & 155" WB CHEVROLET EXPRESS AND GMC SAVANA VANS CAB LENGTH

READ INSTRUCTIONS COMPLETELY AND CHECK TO MAKE SURE THAT ALL REQUIRED PARTS (LISTED ON SERVICE PARTS LIST) ARE ON HAND BEFORE STARTING THE INSTALLATION

1. ON THE LEFT SIDE OF THE VEHICLE, REMOVE THE FRONT BODY MOUNTING BOLT. THE BOLT, STEEL WASHER AND RUBBER CUSHION WILL BE REUSED.
2. INSTALL THE MULTI-THREAD U-NUT (ITEM #14) ON THE FRONT MOUNTING BRACKET (ITEM #3) AND ASSEMBLE THE 3/8"-16 X 5 STUD (ITEM #11), 3/8"-16 SERRATED FLANGE NUTS (ITEM #13) AND THE .354 X 1.00 X .748 RUBBER WASHER (ITEM #17) INTO THE U-NUT (ITEM #14) (**LOAD REACTION BOLT ASSEMBLY**) AS SHOWN IN *fig. 1*.
3. INSTALL THE FRONT MOUNTING BRACKET TO THE FRONT BODY MOUNT WITH THE WASHER AND THE RUBBER CUSHION BETWEEN THE MOUNTING BRACKET AND THE BODY MOUNT. THE STEP END OF THE BRACKET SHOULD BE PERPENDICULAR TO THE OUTSIDE BODY. TIGHTEN THE BOLT TO 65 LB. FT. ADJUST THE LOAD REACTION BOLT ASSEMBLY SO THAT THE RUBBER CUSHION IS SNUG AGAINST THE FRAME AND TIGHTEN DOWN THE OUTSIDE FLANGE NUT.
4. REMOVE THE SECOND BODY MOUNTING BOLT. THE BOLT, STEEL WASHER AND RUBBER CUSHION WILL BE REUSED.
5. INSTALL THE MULTI-THREAD U-NUT (ITEM #14) ON THE SECOND MOUNTING BRACKET (ITEM #5) (**USE THE TOP HOLE ON 1500 VANS AND THE BOTTOM HOLE ON 2500 & 3500 VANS**) AND ASSEMBLE THE 3/8"-16 X 1-1/4" SCREW (ITEM #10) AND 3/8"-16 SERRATED FLANGE NUT (ITEM #13) INTO THE U-NUT (ITEM #14) (**LOAD REACTION BOLT ASSEMBLY**) AS SHOWN IN *fig. 1*.
6. INSTALL THE SECOND MOUNTING BRACKET TO THE SECOND BODY MOUNT WITH THE WASHER AND THE RUBBER CUSHION BETWEEN THE MOUNTING BRACKET AND THE BODY MOUNT. THE STEP END OF THE BRACKET SHOULD BE PERPENDICULAR TO THE OUTSIDE BODY. TIGHTEN THE BOLT TO 65 LB. FT. ADJUST THE LOAD REACTION BOLT ASSEMBLY SO THAT THE END OF THE BOLT IS SNUG AGAINST THE FRAME AND TIGHTEN DOWN THE OUTSIDE FLANGE NUT.
7. ON THE RIGHT SIDE OF THE VEHICLE, REPEAT STEPS 1-6.
8. INSTALL FOUR SQUARE HEAD SCREWS, 5/16"-18 X 1" (ITEM #19) IN THE FRONT TRACK OF THE STEP PLATES.
9. POSITION THE MEGA STEPS ON THE MOUNTING BRACKETS SO THAT THE SQUARE HEAD SCREWS ARE LOCATED IN THE SLOTS OF THE MOUNTING BRACKETS AND THE STEP IS CENTERED, FRONT TO REAR, ON THE VEHICLE. INSTALL 5/16" SERRATED FLANGE NUTS (ITEM #20) ON THE SQUARE HEAD SCREWS. FINGER TIGHTEN ONLY AT THIS TIME.
10. ALIGN THE STEP PLATE WITH THE BOTTOM OF THE BODY SHEET METAL. THE TOP OF THE STEP SHOULD BE APPROXAMATELY 2-1/2" FROM THE BOTTOM OF THE BODY PANEL.
11. TIGHTEN THE STEP PLATE BOLTS TO 19 FOOT POUNDS OF TORQUE.



(A LUVERNE Company)

SERVICE PARTS LIST

ITEM	PART NO.	QTY	DESCRIPTION
1	575036	1	STEP ASSY- 36.00" (MOD. 575036)
2	552100	1	MOUNTING BRACKET – LH, FRONT
3	552101	1	MOUNTING BRACKET – RH, FRONT
4	552119	1	MOUNTING BRACKET – REAR, LH
5	552120	1	MOUNTING BRACKET – REAR, RH
6	100047	2	SCREW - HEX HEAD, 3/8"-16 X 1-1/4", ZP
7	104673	2	STUD – DOUBLE END, 3/8"-16 X 5", ZP
8	100181	6	NUT – SERRATED FLANGE, 3/8"-16, ZP
9	109258	4	U-NUT – MULTI THREAD, 3/8"-16 X 1.09"
10	102592	2	RUBBER WASHER - .354 X 1.00 X .748
11	106880	8	BOLT - SQUARE HEAD, 5/16"-18 X 1", ZP (INCLUDED IN STEP)
12	102680	8	NUT – HEX FLANGE, 5/16"-18 (INCLUDED IN STEP)



(A LIVERNE Company)

SERVICE PARTS LIST

MODEL NO. - 570340

LEFT SIDE SHOWN
RIGHT SIDE MIRROR IMAGE

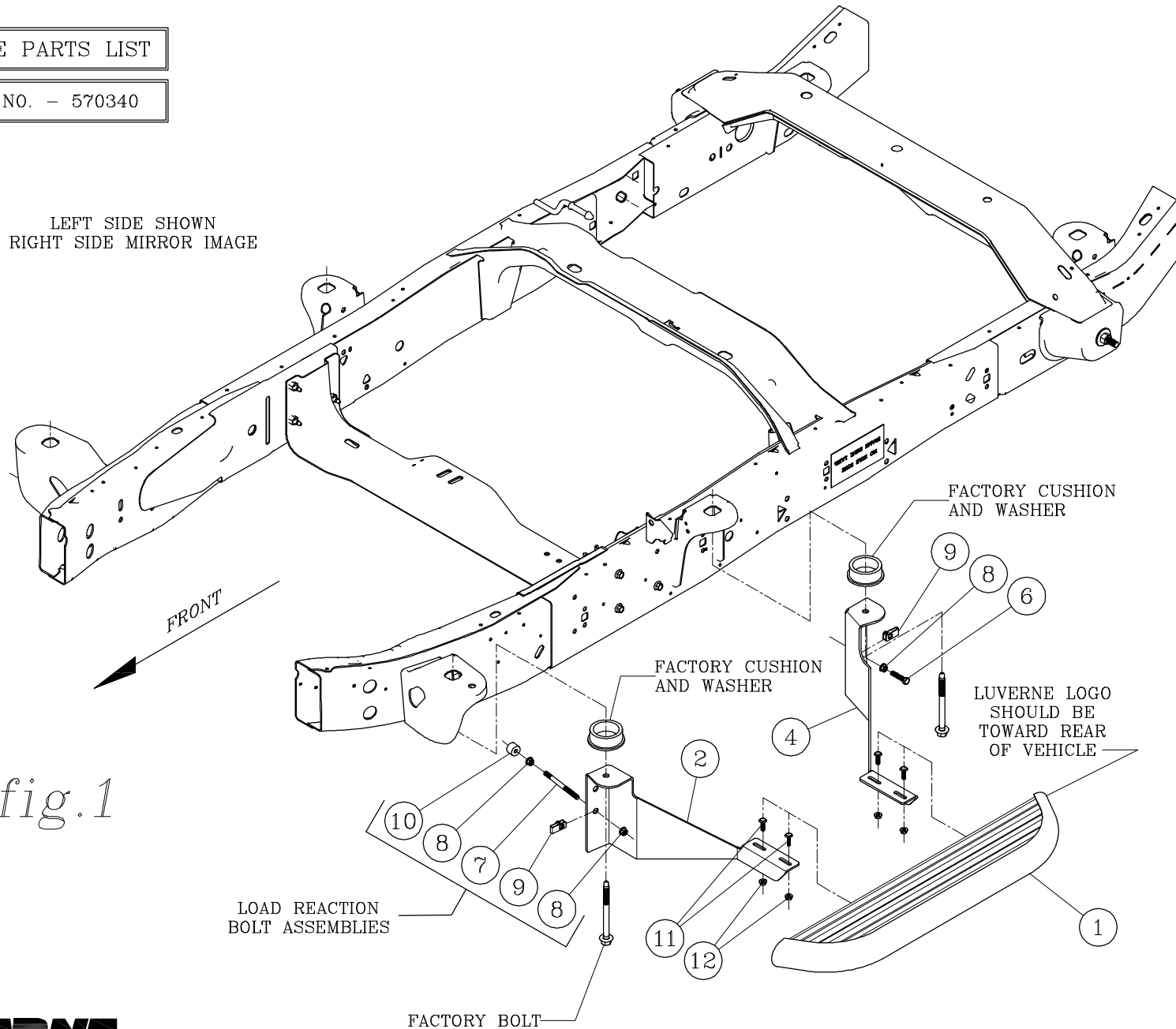


fig.1



Choose reliable running boards offered on our website.