

INSTALLATION INSTRUCTIONS AND PARTS LIST

APPLICATION: 571528 REAR STEPS:
2015 AND NEWER FORD TRANSIT VANS

1. READ INSTRUCTIONS COMPLETELY AND CHECK TO MAKE SURE THAT ALL REQUIRED PARTS (LISTED ON SERVICE PARTS LIST) ARE ON HAND BEFORE STARTING THE INSTALLATION.
2. ON THE LEFT SIDE OF THE VEHICLE REMOVE THE TWO FACTORY BOLTS ON THE OUTSIDE OF THE REAR FRAME RAILS AS SHOWN IN FIGURE 1, THESE WILL BE REUSED.
3. USING THE REMOVED FACTORY BOLTS, INSTALL THE UPPER BRACKET (ITEMS # 1, 2).

NOTE: WHEN INSTALLING GRIP STEPS SLIDE THE BRACKETS ALL THE WAY OUT TOWARDS THE REAR OF THE VEHICLE. WHEN INSTALLING MEGA/OMEGA STEPS SLIDE THE BRACKETS ALL THE WAY IN TOWARDS THE FRONT OF THE VEHICLE.

4. USING THE 1/2" – 1.5" BOLT (ITEM # 5), 1/2" FLANGE NUT, (ITEM # 6), AND THE 1/2" FLAT WASHERS (ITEM #7) INSTALL THE LOWER BRACKET (ITEMS #3, 4). DO NOT TIGHTEN BOLTS AT THIS TIME.
 - 4.1. WHEN INSTALLING GRIP STEPS INSTALL THE SUPPORT BRACE (ITEM #8) ON THE BOTTOM HOLE OF THE LOWER BRACKET.
 - 4.2. WHEN INSTALLING MEGA/OMEGA STEPS THE SUPPORT BRACE IS NOT USED.

NOTE: WHEN INSTALLING GRIP STEPS, IT IS RECOMMENDED TO USE THE BOTTOM HOLE LOCATIONS TO MOUNT THE LOWER BRACKET, AND WHEN INSTALLING MEGA/OMEGA STEPS TO USE THE UPPER HOLE LOCATIONS.

5. REPEAT FOR OPPOSITE SIDE.
6. ATTACH THE STEP BOARD AS DESCRIBED IN THE INSTRUCTIONS INCLUDED WITH THE BOARD SET.
 - 6.1. WHEN INSTALLING GRIP STEPS HOLD THE SUPPORT BRACE (ITEM #8) UP TO THE STEP BOARD, AND USING A 3/8" DRILL BIT, DRILL A HOLE THROUGH THE STEP BOARD WHERE THE SUPPORT BRACE MEETS THE BOARD.
 - 6.2. USING THE 5/16"-1" BOLT (ITEM #9), 5/16" FLAT WASHER (ITEM # 11) AND THE 5/16" FLANGE NUT (ITEM #10) ATTACH THE SUPPORT BRACE TO THE STEP BOARD.
7. ENSURE THAT EVERYTHING IS LEVEL AND POSITIONED CORRECTLY AND TIGHTEN ALL BOLTS.

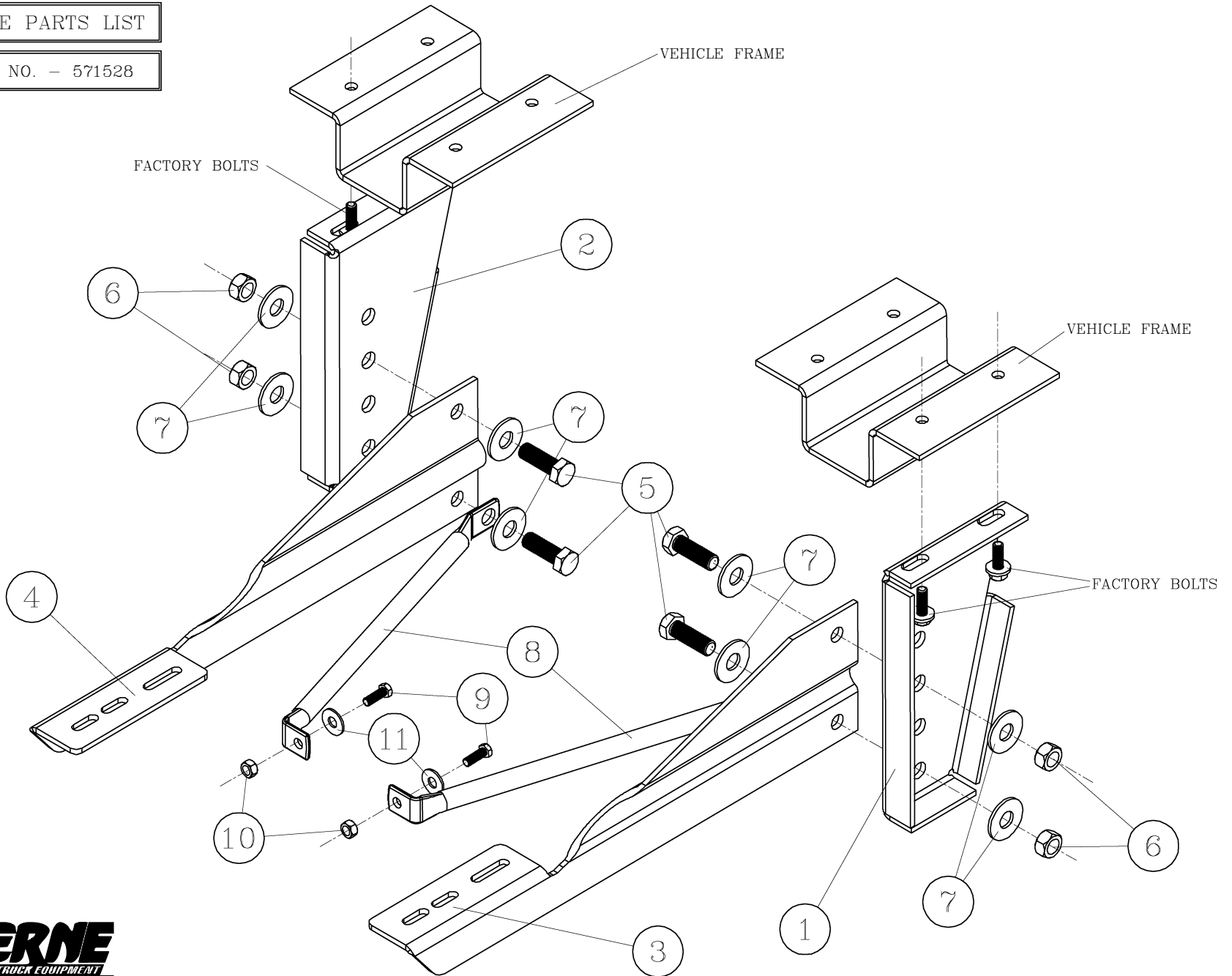
SERVICE PARTS LIST

ITEM	PART NO.	QTY	DESCRIPTION
1	552565	1	BRACKET-MOUNTING, UPPER, RH
2	552566	1	BRACKET-MOUNTING, UPPER, LH
3	552567	1	BRACKET-MOUNTING, LOWER, RH
4	552568	1	BRACKET-MOUNTING LOWER, LH
5	106605	4	SCREW-HEX HD, 1/2" – 13 X 1.50" , BZP
6	106607	4	NUT-FLANGE, 1/2" – 13, BZP
7	107180	8	WASHER – FLAT, .56 X 1.38 X .109, BPZ
8	552569	2	BRACE-SUPPORT, 571528
9	106997	2	SCREW-HEX HD, 5/16" – 18 X 1", BZP
10	106996	2	NUT-FLANGE, 5/16" – 18
11	106998	2	WASHER – FLAT, .375 X .875 X .083, BZP



SERVICE PARTS LIST

MODEL NO. - 571528



Check out the collection of running boards and step bars we offer.