

INSTALLATION INSTRUCTIONS AND PARTS LIST

APPLICATION:
MODEL 571478 STEP BRACKETS
2014+ RAM PROMASTER VAN



1. READ INSTRUCTIONS COMPLETELY AND CHECK TO MAKE SURE THAT ALL REQUIRED PARTS (LISTED ON SERVICE PARTS LIST) ARE ON HAND BEFORE STARTING THE INSTALLATION.
2. ATTACHING THE BRACKETS TO THE VEHICLE AS SHOWN IN FIG 1:
 - 2.1 LOCATE THE 10MM THREADED STUD FACING FORWARD UNDER THE FRAME RAIL AND REMOVE THE NUT (THIS WILL BE REUSED).
 - 2.2 REMOVE THE SQUARE BODY PLUGS THAT ARE AT THE BOTTOM OF THE FRAME RAILS. **SCRAPE ANY UNDER COATING FROM THE UNDERSIDE OF THE VEHICLE WHERE THE BRACKET IS GOING TO TOUCH**, INSTALL THE T-BOLT INTO THE HOLE (ITEM #5). BOTH SIDES, MAKE SURE THE LONG TAB IS POINTED TOWARDS THE FRONT OF THE VEHICLE.
 - 2.3 INSTALL THE UPPER BRACKETS (ITEMS #3, 4) ON THE T-BOLT, AND THE FACTORY STUD USING THE EXISTING 10MM NUT, AND THE 1/2-13 NUT (ITEM #6). TIGHTEN THESE FASTENERS. BOTH SIDES.
 - 2.4 ATTACH THE LOWER BRACKETS (ITEMS #1, 2) ALONG WITH THE LOAD REACTION STUD BRACKET (ITEM #10) TO THE UPPER BRACKET USING THE SUPPLIED 3/8-16X1.0 BOLTS, WASHER, AND NUTS (ITEMS #7, 8, 9). KEEP THESE LOOSE FOR FINAL ADJUSTMENT.
5. ATTACHING THE STEP TO THE BRACKETS.
PLEASE REVIEW THE INSTALLATION INSTRUCTIONS THAT ARE INCLUDED IN YOUR STEP ASSEMBLY FOR SPECIFIC DETAILS.

SERVICE PARTS LIST

ITEM	PART NO.	QTY	DESCRIPTION
PARTS INCLUDED IN THE BRACKET PACKAGE			
1	552446	1	BRKT-MTG, LOWER REAR, LH,BLK
2	552447	1	BRKT-MTG, LOWER REAR, RH,BLK
3	552448	1	BRKT-MTG, UPPER REAR, LH,BLK
4	552449	1	BRKT-MTG, UPPER REAR, RH,BLK
5	552452	2	T-BOLT WELDMENT, 1/2-13X1.25,ZP
6	104261	2	NUT-HEX FLANGE, 1/2-13,ZP
7	106963	4	SCREW-HEX HEAD, 3/8-16X1.00,SST,BLACK
8	106998	4	WASHER-FLAT, 3/8", SST, BLACK
9	106995	4	NUT-HEX, FLANGE, 3/8-16, SST,BLACK

SERVICE PARTS LIST

MODEL NO. - 571478

ROTATE THE T-BOLT WELDMENTS (ITEM #5) SO THE LONG TAB IS TOWARDS THE FRONT OF THE VEHICLE.

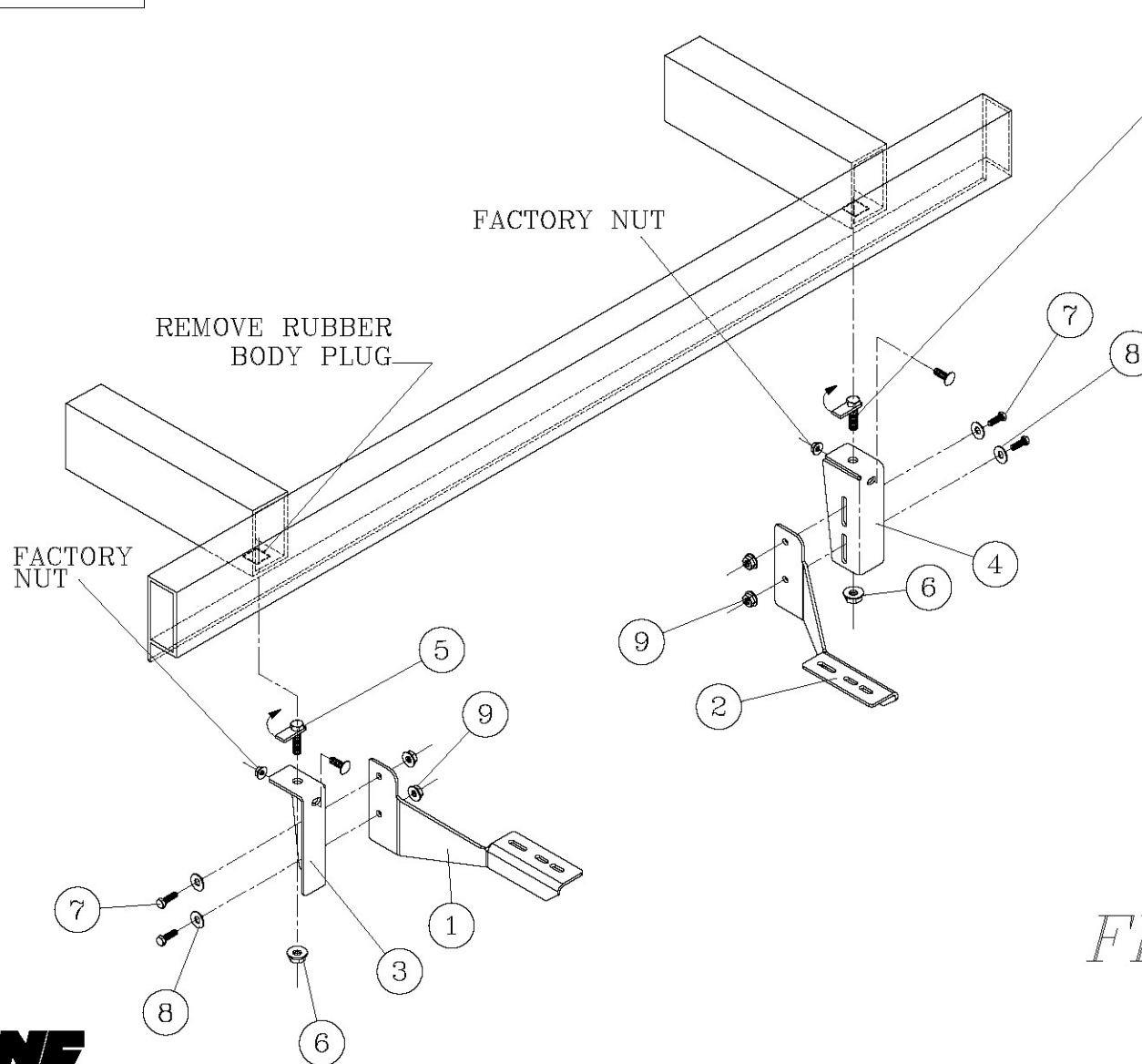


FIG. 1

