

## INSTALLATION INSTRUCTIONS AND PARTS LIST

FOR MOUNTING 401473 GRIP STEPS PASSENGER CARGO DOOR ONLY  
2014-NEWER RAM PROMASTER VANS

READ INSTRUCTIONS COMPLETELY AND CHECK TO MAKE SURE THAT ALL REQUIRED PARTS (LISTED ON SERVICE PARTS LIST) ARE ON HAND BEFORE STARTING THE INSTALLATION.

1. DETERMINE THE FRONT TO BACK PLACEMENT OF THE BRACKETS, AND PLACE THE FORWARD BRACKET (ITEM #1) UP TO THE INSIDE OF THE PINCH WELD AND SECURE IT USING A CLAMP. SOME UNDER COATING MAY NEED TO BE SCRAPPED OFF SO THE BRACKET WILL SIT FLAT WITH THE PINCH WELD.
2. USING THE HOLES IN THE BRACKET AS A REFERENCE, MARK THE CENTER OF (2) HOLES IN THE PINCH WELD, AND (2) HOLES INTO THE FLOOR OF THE VAN. REMOVE THE BRACKET FOR DRILLING. THE TWO HOLES MARKED ON THE PINCH WELD WILL BE DRILLED WITH A 11/32 DRILL BIT. THE HOLES IN THE FLOOR SHOULD BE DRILLED TO 1/4" DIAMETER IF USING THE SUPPLIED SELF TAPPING SCREWS.  
**IF YOU HAVE ACCESS TO 1/4-20 RIV-NUT TYPE FASTENERS, THEY COULD BE USED INSTEAD OF THE SELF TAPPING SCREWS.**
3. INSTALL THE BRACKET (ITEM # 1) AND FASTEN IT TO THE PINCH WELD USING THE BLACK 5/16-18 BOLTS, WASHERS, NUTS, AND RETAINER PLATE (ITEM #3, 4, 5 & 6). LEAVE THEM LOOSE AT THIS TIME. INSTALL THE 5/16 X 3/4" SELF TAPPING SCREW AND ZINC WASHER (ITEM #7 & 8). OR THE ZINC 1/4-20X1.00" SCREWS AND ZINC WASHERS AND LOCK WASERS (ITEM#7,9,10).
4. TIGHTEN ALL FASTENERS
5. REPEAT FOR THE REAR BRACKET (ITEM #2).

### SERVICE PARTS LIST

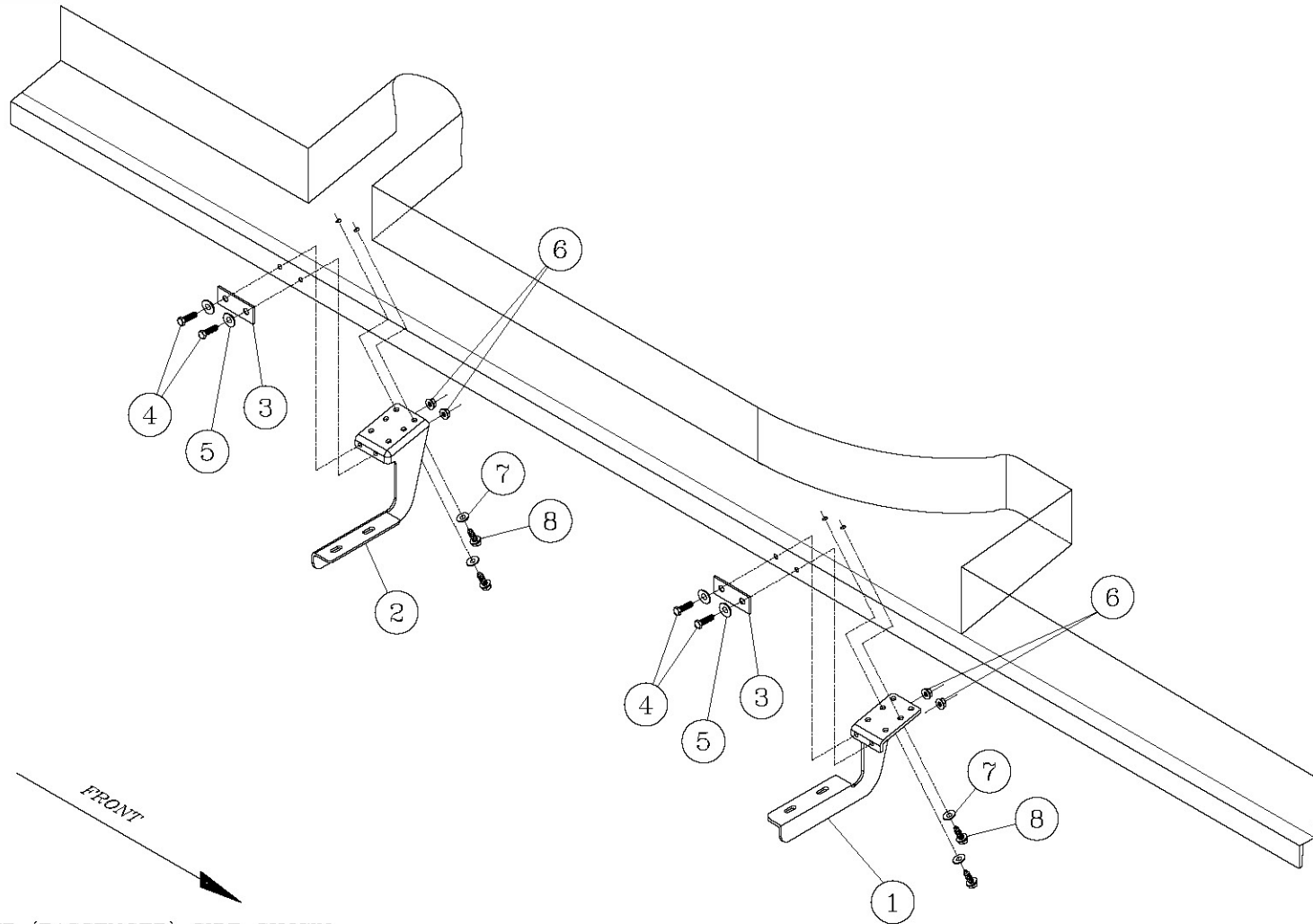
ITEM	PART NO.	QTY	DESCRIPTION
1	552407	1	MTG-BRKT, FRONT (GRIP STEPS)
2	552408	1	MTG-BRKT, REAR (GRIP STEPS)
1	552431	1	MTG-BRKT, FRONT (MEGA/O-MEGA STEPS)
2	552432	1	MTG-BRKT, REAR (MEGA/O-MEGA STEPS)
3	552410	2	RETAINER PLATE, GALV
4	100180	4	SCR-HHCAP, M8-1.25X30MM, SST, BZP
5	106998	4	WASHER-FL, 5/16, BZP
6	105859	4	NUT-HEX FLG, M8-1.25X25MM,ZP
7	100016	4	WASHER-FL, 5/16, ZP
8	104267	4	SCR-HWH, TF, AB, SST, 5/16 X .750
9	101381	4	SCR-HHCAP, 1/4-20X1.00, SST
10	101366	4	WASHER-LK,1/4",SST



(A LIVERNE Company)

SERVICE PARTS LIST

BRACKET NO. - 401473  
- 571473



RIGHT (PASSENGER) SIDE SHOWN



Get in and out of your truck or SUV easier with running boards available on our website.