

INSTALLATION INSTRUCTIONS AND PARTS LIST

APPLICATION: MODEL **571447** MEGA STEP BRACKETS ON:

2014+ GM 1500 PICKUPS, GAS

2015 GM 2500/3500HD PICKUPS, GAS

ROCKER PANEL MOUNT APPLICATION



NO DRILL APPLICATION

1. READ INSTRUCTIONS COMPLETELY AND CHECK TO MAKE SURE THAT ALL REQUIRED PARTS (LISTED ON SERVICE PARTS LIST) ARE ON HAND BEFORE STARTING THE INSTALLATION. THE SIDE ENTRY STEP ASSEMBLIES SHOULD BE MOUNTED TO THE PINCH WELD AND VERTICAL WALL OF THE ROCKER PANEL AS FOLLOWS. **NOTE: DEPENDING ON THE VEHICLE, THE HOLE CONFIGURATION MAY CHANGE. FASTENERS ARE PROVIDED FOR ALL APPLICATIONS.**
2. ON THE LEFT SIDE OF THE VEHICLE REMOVE THE PLASTIC BODY PLUGS THAT ARE LOCATED ON THE VERTICAL WALL OF THE ROCKER PANEL AND INSERT A 5/16"-18 U-NUT (ITEM #7) AS SHOWN. **NOTE: IF THERE ARE THREADED INSERTS IN THE UPPER LOCATION, USE THE BLACK M8-1.25 X 30 MM BOLTS (ITEM #9).**
3. POSITION THE MOUNTING BRACKETS (ITEM #2) SO THAT THE HOLES ON THE BRACKET LINE UP WITH THE HOLES ON THE INSIDE WALL OF THE ROCKER PANEL. INSTALL A 5/16"-18 X 1.0" HEX BOLT, AND A 5/16" FLAT WASHER (ITEMS #4, 5) FINGER TIGHT.
4. INSTALL A BLACK M8-1.25 X 30 MM HEX BOLT, 5/16" FLAT WASHER, AND THE PINCH WELD SUPPORT (ITEMS #4, 8, 9) THROUGH THE HOLE AND INSTALL A M8-1.25 NUT (ITEM #6) FINGER TIGHT ON THE BACK AS SHOWN.
5. REPEAT STEPS 3 – 4 FOR THE REMAINING BRACKETS
6. ATTACH THE SPRING HANGER MOUNTING BRACKETS (ITEM# 10, 11) AGAINST THE SIDE OF THE VEHICLE SPRING HANGER AS SHOWN.
 - 6.1 LOOSEN THE SPRING HANGER BOLT JUST ENOUGH SO THAT THE INBOARD SPRING HANGER MTG BRKT (ITEM #10) CAN BE SLID UP BEHIND THE FLANGE OF THE BOLT. POSITION THE INBOARD SPRING HANGER MOUNTING BRACKET BEHIND THE FLANGE OF THE SPRING HANGER BOLT, WITH THE CHANNEL OPEN TO THE OUTBOARD SIDE, AS SHOWN.
 - 6.2 USING A 3/8"-16 BOLT, 3/8" WASHER, 1/2" WASHER AND 3/8" LOCK NUT (ITEMS# 12-15) INSTALL THE OUTBOARD SPRING HANGER MOUNTING BRACKET (ITEM #11) SO THAT THE INBOARD VERTICAL PORTION OF THE BRACKET FITS INSIDE THE CHANNEL SHAPE OF THE INBOARD SPRING HANGER BRACKET. LEAVE THESE FASTENERS FINGER TIGHT AT THIS TIME.
7. INSTALL THE STEP BOARD AS DESCRIBED BY THE INSTRUCTIONS INCLUDED WITH YOUR STEP BOARDS.
8. PRESS STEP DOWN AND BACK, TIGHTEN THE MOUNTING BOLTS TO 19 LB-FT STARTING WITH THE BOTTOM BOLTS FOLLOWED BY THE TOP BOLTS.
9. REPEAT STEPS 2 – 8 FOR THE RIGHT SIDE OF THE VEHICLE.

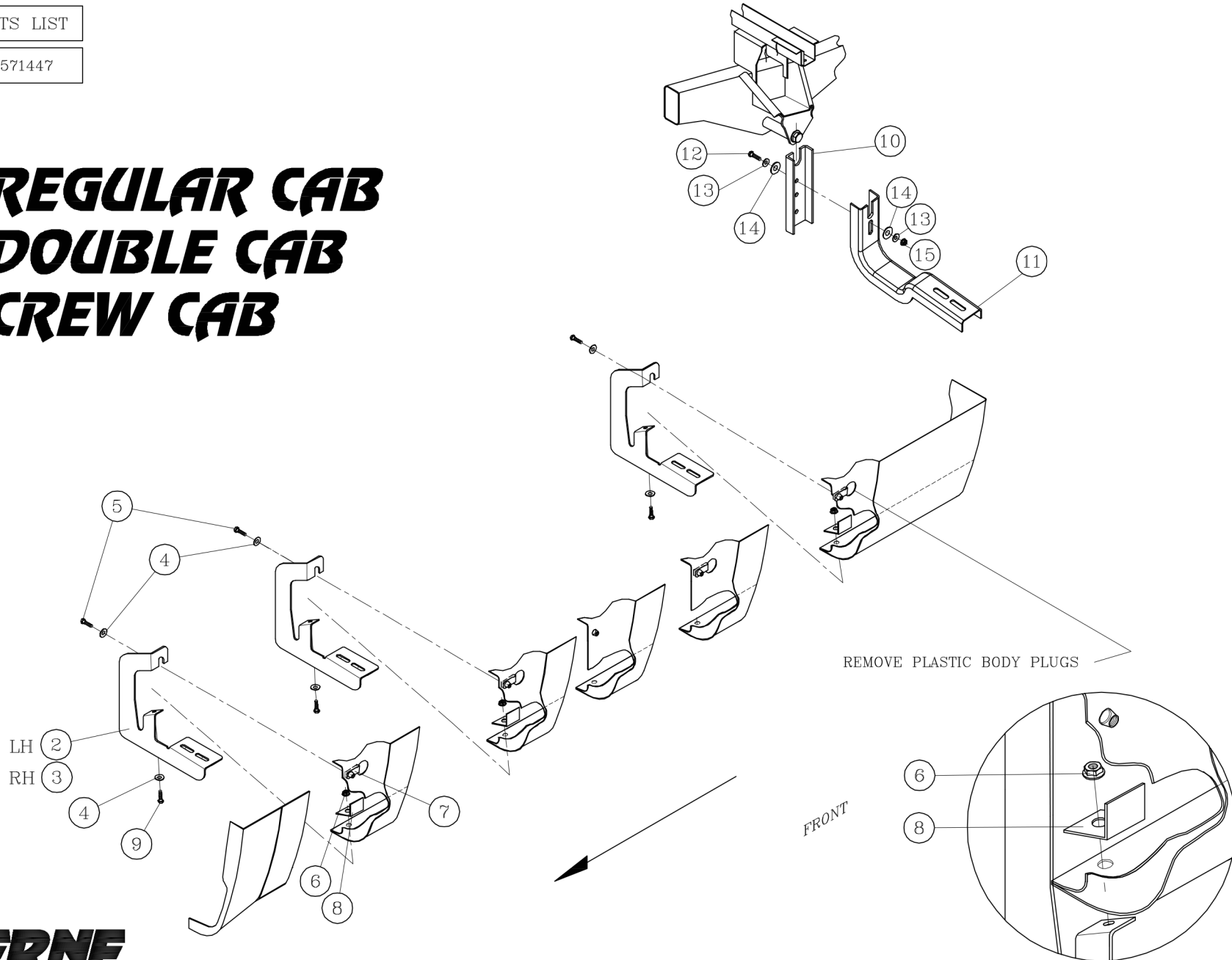


(A LUVERNE Company)

SERVICE PARTS LIST

ITEM	PART NO.	QTY	DESCRIPTION
1		1	STEP ASSY, MEGA STEP / O-MEGA STEP
2	552628	3	BRKT-MTG, LH, MS 07+ GM PICKUPS
3	552627	3	BRKT-MTG, RH, MS, 07+ GM PICKUPS
4	106998	12	5/16" – FLATWASHER SST, BZP
5	100647	6	5/16"-18 X 1.00" SCR ZP
6	105859	6	NUT SERR FLG, M8-1.25, ZP
7	105541	6	U-NUT,5/16"-18
8	551666	6	BRKT-MTG,PINCH WELD SUPPORT
9	100180	12	SCREW-HEX, M8-1.25 X 30MM, BZP
10	551806	2	BRKT-MTG,REAR,INBOARD
11	552717	2	BRKT-MTG,REAR,OUTBOARD
12	101326	2	SCREW-HEX HEAD, 3/8"-16 X 2", ZP
13	100062	4	WASHER – FLAT, 3/8", ZP
14	100118	4	WASHER – FLAT, 1/2", ZP
15	102381	2	NUT – SELF LOCKING, 3/8"-16, ZP

GM REGULAR CAB GM DOUBLE CAB GM CREW CAB



REMOVE PLASTIC BODY PLUGS

FRONT

PINCH WELD SUPPORT ASSEMBLY



LEFT (DRIVER) SIDE SHOWN
-RIGHT (PASSENGER) SIDE OPPOSITE-