

INSTALLATION INSTRUCTIONS AND PARTS LIST

VEHICLE APPLICATION:

**MODEL 501123 (12.00" X 23.00") FRONT OR REAR SPLASH GUARDS ON:
2008-2011 FORD SUPER DUTY SINGLE WHEEL TRUCKS**

1. READ INSTRUCTIONS COMPLETELY AND CHECK TO MAKE SURE THAT ALL REQUIRED PARTS (LISTED ON SERVICE PARTS LIST) ARE ON HAND BEFORE STARTING THE INSTALLATION.
2. PEEL AWAY THE VINYL COVERING AND CLEAN THE STAINLESS STEEL SPLASH GUARD INSERTS TO REMOVE ANY VINYL COVERING RESIDUE. (A GOOD GLASS CLEANER IS SUGGESTED).
3. PREPARE THE SPLASH GUARDS AND VEHICLE FOR SPLASH GUARD INSTALLATION AS FOLLOWS:
 - 3.1. FORM THE TOP OF THE SPLASH GUARD ASSEMBLY (ITEM #1 THRU #6) TO MATCH THE CONTOUR OF THE WHEEL WELL.
 - 3.2. REMOVE THE FACTORY WHEEL WELL LINER RETAINER SCREW. (SOME OF THESE SCREWS WILL BE REUSED IN APPLICATIONS).

MOUNTING 501123 SPLASH GUARDS ON THE FRONT: (SEE SHEET #3)

4. INSTALL THE SPLASH GUARDS AS FOLLOWS:
 - 4.1. POSITION THE SPLASH GUARD AGAINST THE WHEEL WELL FLANGE AS SHOWN FOR YOUR APPLICATION. REINSTALL THE FACTORY WHEEL WELL LINER RETAINER SCREWS. **NOTE: FENDER FLARES WILL REQUIRE A SPACER (ITEM #12) AND SEMS SCREW, HEX HD M4.2-1.41 X 30MM AND WASHER (ITEMS # 10 & 9) IN LOWER HOLE DOWN AS SHOWN. (NOTE: THAT THE HOLE LOCATIONS FOR THE 2008-10 ARE DIFFERENT FROM THE LOCATIONS FOR THE 2011.)**
 - 4.2. ON THE **PASSENGER** SIDE USING THE INBOARD UPPER HOLE AS A PILOT, DRILL A ¼" DIA. HOLE THRU THE WHEEL WELL LINER. INSTALL A #10-24 X 1.00" TRUSS HEAD SCREW, #10 FLAT WASHERS AND #10-24 SERRATED FLANGE NUT, AND NYLON SPACER AS SHOWN.
 - 4.3. MOVE THE SPLASH GUARDS IN OR OUT AS DESIRED, INSURE THE SPLASH GUARD IS LEVEL AND TIGHTEN ALL FASTENERS.
 - 4.4. ON THE **DRIVERS** SIDE INSTALL ZEE CLIP BRACKET ON BACKSIDE OF SPLASH GUARD USING A #10-24 X 1.00" TRUSS HEAD SCREW, #10 FLAT WASHERS AND #10-24 SERRATED FLANGE NUT . USING THE INBOARD UPPER HOLE, DRILL A ¼" DIA. HOLE THRU THE WHEEL WELL LINER. INSTALL A #10-24 X 1.00" TRUSS HEAD SCREW, #10 FLAT WASHERS AND #10-24 SERRATED FLANGE NUT. SEE **FIG 2A**

MOUNTING 501123 SPLASH GUARDS ON THE REAR WITH FENDER FLARES: (SEE SHEET #4)

5. INSTALL THE SPLASH GUARDS AS FOLLOWS:
 - 5.1. POSITION THE SPLASH GUARD AGAINST THE WHEEL WELL FLANGE AS SHOWN FOR YOUR APPLICATION. INSTALL (2) #10-24 X 1.00" TRUSS HEAD SCREW (ITEM #10), #10 FLAT WASHER (ITEM #9) AND #10-24 SERRATED FLANGE NUT (ITEM #7) AS SHOWN. (LEAVE THESE FASTENERS FINGER TIGHT) **NOTE: THAT THE HOLE LOCATIONS FOR THE 2008-10 ARE DIFFERENT FROM THE LOCATIONS FOR THE 2011.**
 - 5.2. MOVE THE SPLASH GUARDS IN OR OUT AS DESIRED, LEVEL THE SPLASH GUARDS, TIGHTEN THE TOP FASTENERS AND CLAMP THE TOP OF THE MOUNTING BRACKET TO THE INNER WHEEL WELL PINCH WELD.
 - 5.3. USING THE HOLE IN THE BRACKET AS A PILOT, DRILL A 3/16" DIA HOLE THRU THE WHEEL WELL PINCH WELD AND FASTEN WITH A ¼" X ¾" THREAD FORMING SCREW (ITEM #14).
 - 5.4. INSTALL A #10-24 X 1.00" TRUSS HEAD SCREW (ITEM #8), #10 FLAT WASHER (ITEM #9) AND #10-24 SERRATED FLANGE NUT (ITEM #7) IN INBOARD HOLE AND BRACKET (ITEM #13) AS SHOWN.
 - 5.5. TIGHTEN ALL FASTENERS.



MOUNTING 501123 SPLASH GUARDS ON THE REAR WITHOUT FENDER FLARES:

- 6. INSTALL THE SPLASH GUARD AS FOLLOWED
 - 6.1 USING THE SECOND HOLE IN THE SLASH GUARDS INSTALL (1) #10-24 X 1.00" TRUSS HEAD SCREW (ITEM #10), #10 FLAT WASHER (ITEM #9) AND #10-24 SERRATED FLANGE NUT FINGER TIGHT.
 - 6.2 MOVE THE SPLASH GUARDS IN OR OUT AS DESIRED, LEVEL THE SPLASH GUARDS, TIGHTEN THE TOP FASTENERS. IN THE FORTH HOLE DRILL A ¼" HOLE IN WHEEL WELL FLANGE.
 - 6.3 INSTALL (1) #10-24 X 1.00" TRUSS HEAD SCREW (ITEM #10), #10 FLAT WASHER (ITEM #9) AND #10-24 SERRATED FLANGE THEN REPEAT STEPS 5.2 THOUGH 5.5.

PARTS LIST 08-11 FORD SUPER DUTY

ITEM	PART NO.	QTY	DESCRIPTION
1	550240	1	SPLASH GUARD-MOLDED,12X23,FORD SD,RH
2	550242	1	SPLASH GUARD-MOLDED,12X23,FORD SD,LH
3	550241	1	INSERT-SLPASH GUARD,SST,FORD SD,RH
4	550243	1	INSERT-SPALSH GUARD,SST,FORD SD,LH
5	103146	4	RIVET-SST,3/16 X 3/8
6	105511	4	WASHER-FLAT,SST,.203 X .625 X .062
7	104261	6	NUT-HEX,SERR FLG,SST,#10-24
8	105516	6	SCR-TRUSS HD,XREC,SST #10-24 X 1.00
9	105511	8	WASHER-FLAT,SST,.203 X .625 X .062
10	105514	2	SCREW-SEMS,HEX HD,M4.2-1.41 X 30MM
11	105518	2	NUT-SPEED,U-TYPE,SGL THD,#8,BLK PHOS PLT
12	107182	4	WSHR-SPCR,NYLON,BLACK,.38 X .25
13	544060	2	BRACKET-MOUNTING
14	102694	2	SCREW-TF,AB,SST,1/4 X3/4
15	605330	1	SLOTTED ZEE CLIP,SST,158-ZS



08-10 SUPER DUTY (PASSENGER) SIDE

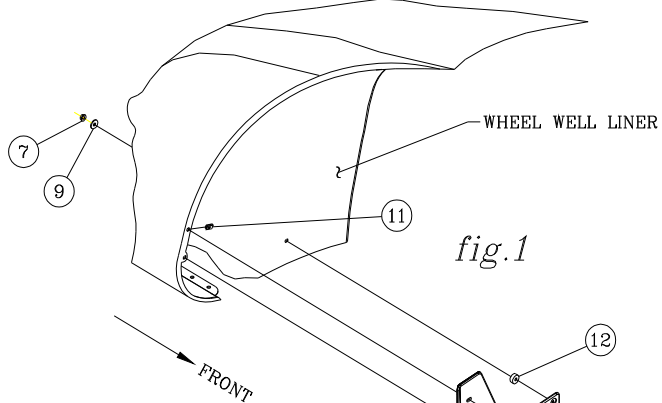


fig.1

2011 SUPER DUTY (PASSENGER) SIDE

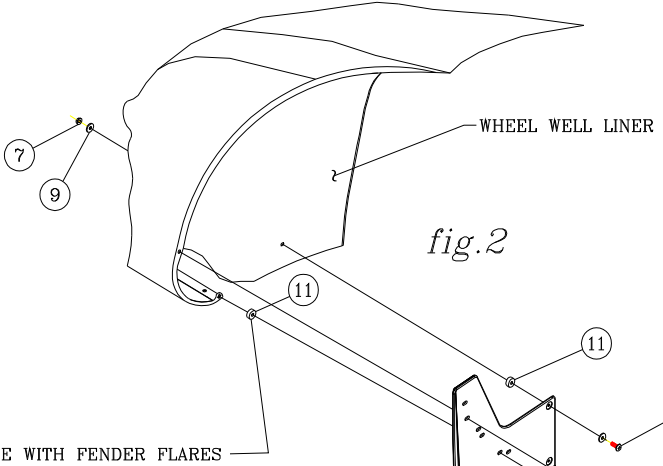


fig.2

FRONT INSTALLATION

- RIGHT HAND 1 2
LEFT HAND 3 4
5 6

FACTORY SCREW:
WHEEL WELL
LINER RETAINER

2011 SUPER DUTY (DRIVERS) SIDE

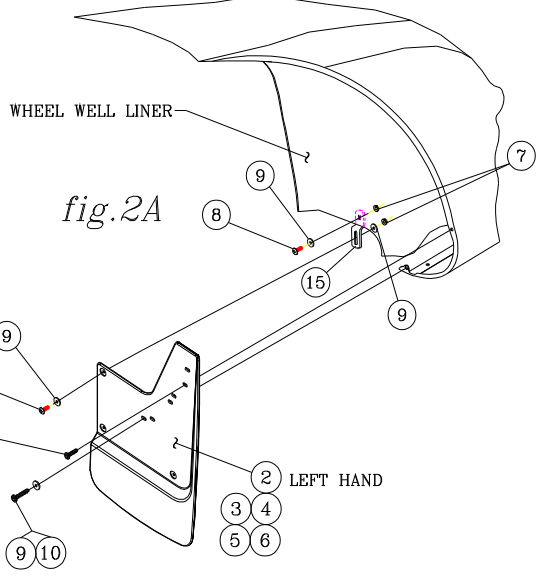


fig.2A

FACTORY SCREW:
WHEEL WELL
LINER RETAINER

- 2 LEFT HAND
3 4
5 6



