

INSTALLATION INSTRUCTIONS AND PARTS LIST

MODELS:

477097, 477101, 477113 (EXTENDED CABS)
477102, 477108, 477114, 477125 (CREW CABS)
REGAL 7 OVAL STEPS (BOARDS ONLY)
UNIVERSAL APPLICATIONS



1. Read instructions completely and check to make sure that all required parts (listed on the service parts list) are on hand before starting the installation.
2. Follow the instructions included with the specific bracket package that you are using to mount the brackets to your vehicle.
3. The step is pre-assembled from the factory. The serial number label is located on the front inside drivers side step assembly.
4. Attaching the step to the mounting bracket:
 - 4.1 Set the step on the mounting brackets, and slide each support mounting plate (item #9) inside the oval step and above each bracket.
 - 4.2 Using the supplied 5/16-18 x 1" black stainless steel hex bolt, washer, and serrated flange nut (items # 10,11&12) attach the step assembly, support mounting plate and mounting bracket.
 - 4.3 Set the step plate in the correct position and tighten all fasteners.
Torque all 5/16" fasteners to 19 LB FT.

INSTALLATION INSTRUCTIONS AND PARTS LIST

APPLICATION:

MODEL 400717 WHEEL TO WHEEL STEP BRACKETS:

2007 GM SILVERADO & SIERRA REGULAR/EXTENDED/CREW CAB PICKUPS



1. READ INSTRUCTIONS COMPLETELY AND CHECK TO MAKE SURE THAT ALL REQUIRED PARTS (LISTED ON THE SERVICE PARTS LIST) ARE ON HAND BEFORE STARTING THE INSTALLATION.
2. ATTACH THE MOUNTING BRACKETS TO THE VEHICLE AS FOLLOWS: [SEE FIG. 1]
 - 2.1 ATTACH THE TOP OF THE MOUNTING BRACKETS (ITEM #1) TO THE VEHICLE AS SHOWN.
 - 2.2 INSERT 5/16" MULTI-THREAD U-NUT (ITEM #7) INTO THE UPPER HOLES IN THE ROCKER PANEL (SEE FIG. 1).
(NOTE: SOME VEHICLES WILL HAVE THREADED INSERTS IN THE ROCKER PANELS, AND WILL NOT REQUIRE THE INSTALLATION OF THE U-NUTS.)
 - 2.3 ATTACH THE TOP OF THE BRACKETS (ITEM #1) TO THE VEHICLE WITH 5/16-18 X 1.0 SCREW AND FLAT WASHER (ITEMS #5&4). HAND TIGHTEN ONLY.
(NOTE: IF VEHICLE HAS THREADED INSERTS AS STATED ABOVE IT WILL REQUIRE A BLACK M8 X 30MM SCREW (ITEM #3) IN PLACE OF THE 5/16-18X 1.0 SCREW.)
 - 2.4 INSERT A NYLON WASHER (ITEM #2) BETWEEN THE TOP OF THE MOUNTING BRACKET AND THE BOTTOM OF THE ROCKER PANEL AND INSTALL THE BLACK M8-1.25 SCREW (ITEM#3) AND WASHER (ITEM#4) PLACE PINCH WELD SUPPORT BRACKET (ITEM #8) ABOVE PINCH WELD AS SHOWN INSTALL M8 FLANGE NUT (ITEM#6) THIS IS DONE ON EACH MOUNTING BRACKET. TIGHTEN ALL FASTENERS TO 19 LB FT.
3. ATTACH THE SPRING HANGER MOUNTING BRACKETS (ITEM # 13 & #14) AGAINST THE SIDE OF THE VEHICLE SPRING HANGER AS SHOWN
 - 3.1 LOOSEN THE SPRING HANGER BOLT JUST ENOUGH SO THAT THE INBOARD SPRING HANGER MTG BRKT (ITEM #14) CAN BE SLID UP BEHIND THE FLANGE OF THE BOLT. POSITION THE INBOARD SPRING HANGER MTG BRKT BEHIND THE FLANGE OF THE SPRING HANGER BOLT, WITH THE CHANNEL OPEN TO THE OUTBOARD SIDE, AS SHOWN.
 - 3.2 INSTALL THE OUTBOARD SPRING HANGER MTG BRKT (ITEM #13) SO THAT THE INBOARD VERTICAL PORTION OF THE BRACKET FITS INSIDE THE CHANNEL SHAPE OF THE INBOARD SPRING HANGER MTG BRKT USING THE 3/8" ZINC PLATED BOLT (ITEM #11), 3/8" WASHER (ITEM #12), 1/2" WASHER (ITEM #9), AND 3/8" ZINC PLATED NYLOCK NUT (ITEM #10) AS SHOWN. DO NOT TIGHTEN THESE BOLTS UNTIL THE BRACKET IS ATTACHED TO THE STEP ASSEMBLY.
4. ATTACHING THE STEP ASSEMBLY:
PLEASE REVIEW THE INSTALLATION INSTRUCTIONS THAT ARE INCLUDED IN YOUR STEP ASSEMBLY FOR SPECIFIC DETAILS.

TIGHTEN THE SPRING HANGER BOLT PER MANUFACTURERS SPECS

INSTALLATION INSTRUCTIONS AND PARTS LIST

APPLICATION:

MODEL 400717 WHEEL TO WHEEL STEP BRACKETS:

2007 GM SILVERADO & SIERRA REGULAR/EXTENDED/CREW CAB PICKUPS

SERVICE PARTS LIST

ITEM	PART NO.	QTY	DESCRIPTION
PARTS INCLUDED IN THE BRACKET PACKAGE			
1	551863	6	MOUNTING BRACKET,GRIP STEP
2	107182	6	WASHER- SPCR, NYLON, BLK, .312 ID X 1.24 OD X .25 THK
3	100180	12	M8 X 30 X1.25 SCR,SST,BZP
4	106998	12	5/16" STD FLAT WASHER SST, BZP
5	100647	6	5/16" X 1.00" SCR ZP
6	105859	6	M8 FLANGED NUT ZP
7	105541	6	U-NUT 5/16"-18
8	551666	6	BRKT-MTG,PINCH WELD SUPPORT
9	100118	4	WASHER-FL, 1/2", ZP
10	102381	2	NUT-NYLOCK, HEX, 3/8-16, ZP
11	101326	2	BOLT, HEX HEAD, 3/8-16X2.00, ZP
12	100062	4	WASHER-FL, 3/8", ZP
13	551892	2	BRACKET-MTG, SPRING HANGER, OUTBOARD, 401117
14	551806	2	BRACKET-MTG, SPRING HANGER, INBOARD, 401117

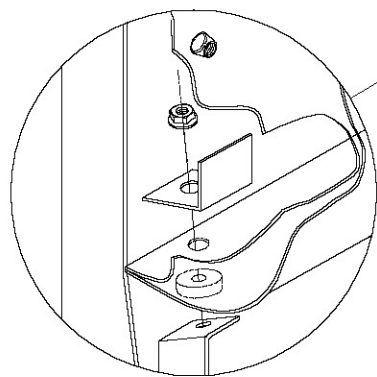


(A LUVERNE Company)

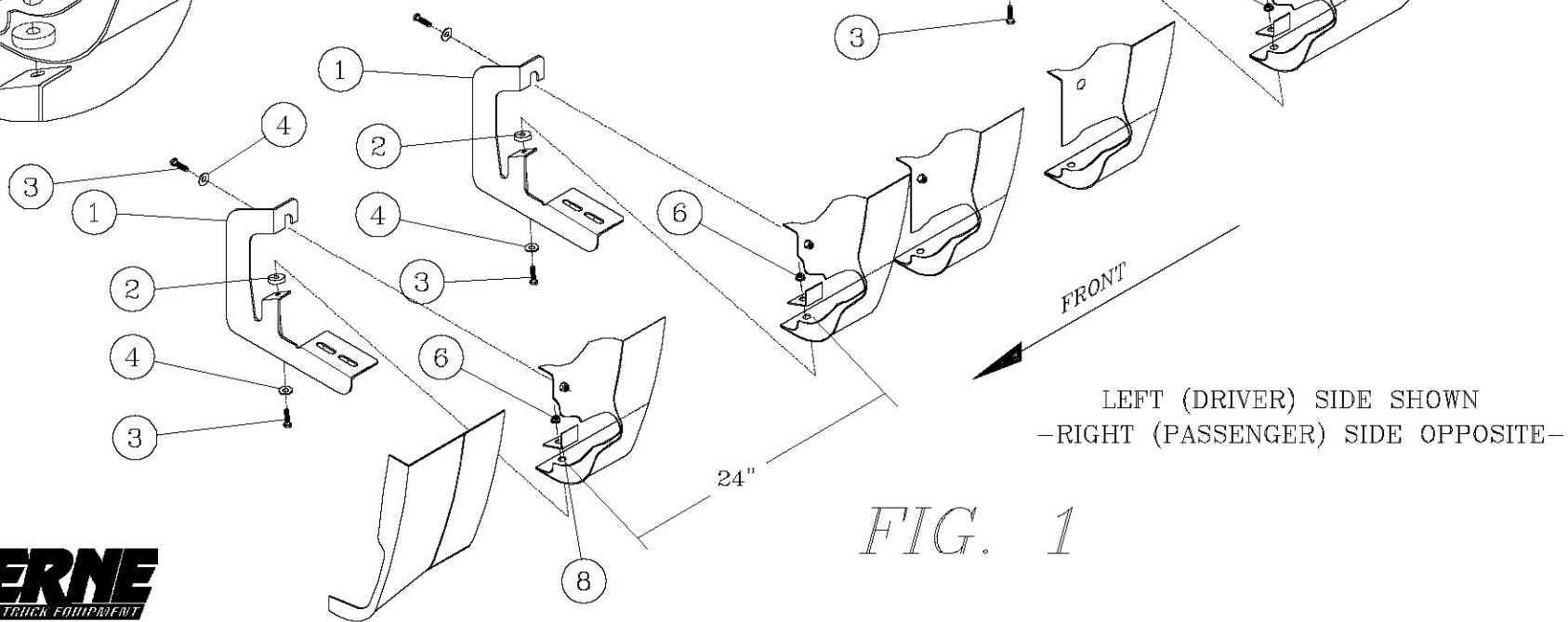
SERVICE PARTS LIST

MODEL NO. -400717

NOTE:
THE MOUNTING PATTERNS MAY NOT BE EXACTLY AS SHOWN. HOWEVER THERE WILL BE ENOUGH FASTENERS TO MAKE THE APPLICATION. THE DISTANCE BETWEEN THE FIRST AND SECOND BRACKET WILL BE 24 INCHES.



PINCH WELD SUPPORT ASSEMBLY
(USE WHERE NEEDED)



LEFT (DRIVER) SIDE SHOWN
-RIGHT (PASSENGER) SIDE OPPOSITE-

FIG. 1

SERVICE PARTS LIST

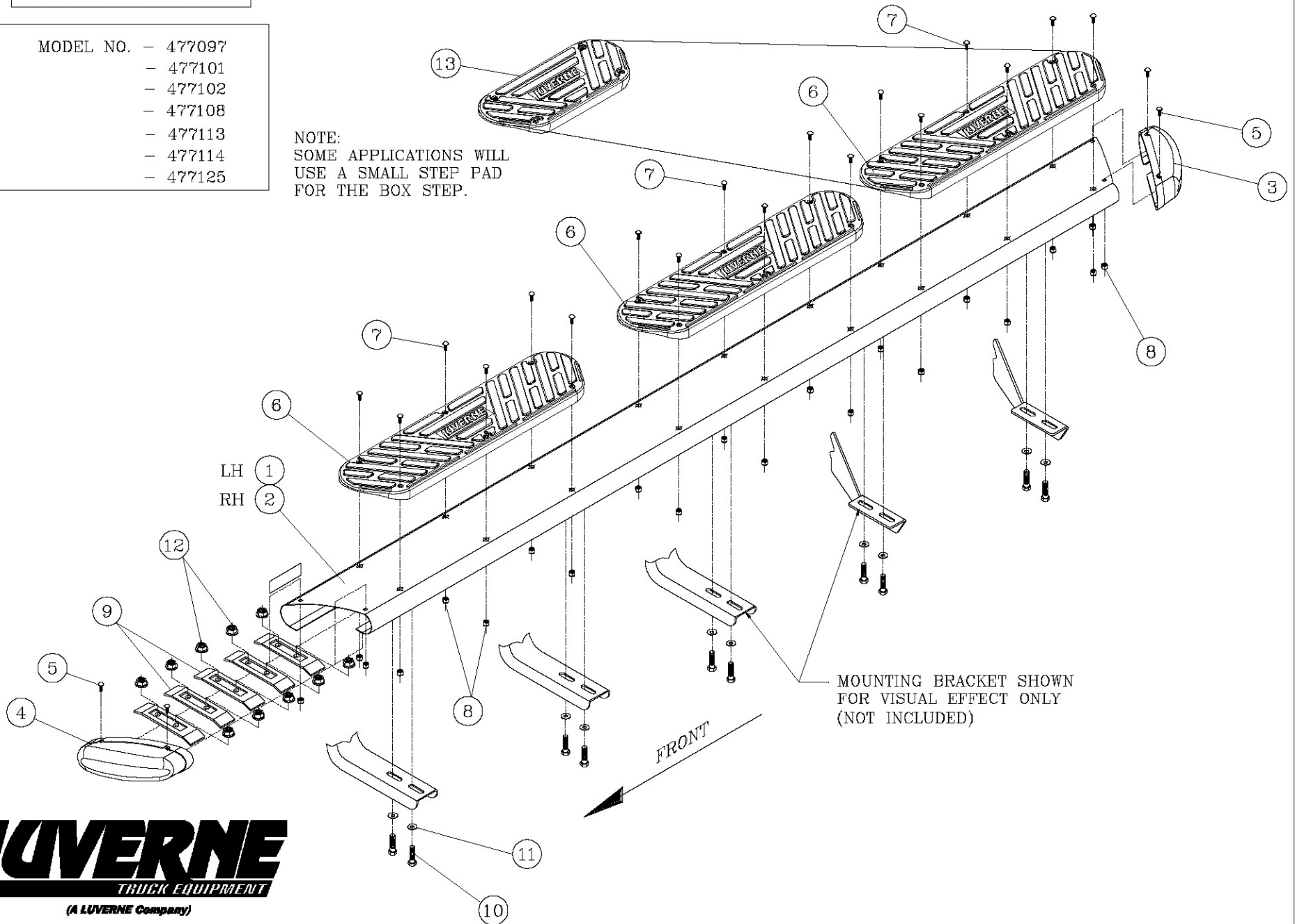
ITEM	PART NO.	QTY	DESCRIPTION
1	552074	1	REGAL 7 OVAL STEP, LH,96",477097, EXT CAB
2	552075	1	REGAL 7 OVAL STEP, RH,96",477097, EXT CAB
1	552076	1	REGAL 7 OVAL STEP, LH,100",477101, EXT CAB
2	552077	1	REGAL 7 OVAL STEP, RH,100",477101, EXT CAB
1	552078	1	REGAL 7 OVAL STEP, LH,112",477113, EXT CAB
2	552079	1	REGAL 7 OVAL STEP, RH,112",477113, EXT CAB
1	552080	1	REGAL 7 OVAL STEP, LH,100",477102, CREW CAB
2	552081	1	REGAL 7 OVAL STEP, RH,100",477102, CREW CAB
1	552501	1	REGAL 7 OVAL STEP, LH, 106",477108, CREW CAB
2	552502	1	REGAL 7 OVAL STEP, RH, 106",477108, CREW CAB
1	552082	1	REGAL 7 OVAL STEP, LH,112",477114, CREW CAB
2	552083	1	REGAL 7 OVAL STEP, RH,112",477114, CREW CAB
1	552084	1	REGAL 7 OVAL STEP, LH,123",477125, CREW CAB
2	552085	1	REGAL 7 OVAL STEP, RH,123",477125, CREW CAB
3	109233	2	END CAP LH REAR, RH FRONT,BLK PLASTIC
4	109232	2	END CAP RH REAR, LH FRONT,BLK PLASTIC
5	107863	8	BOLT-CARRAIGE, 10-24 X 0.50,SST, BLACK
6	108909	6	STEP PAD, 25" X 6.5", PLASTIC, BLACK
7	108908	36	BOLT-CARRAIGE, 10-24 X 1.0,SST, BLACK
8	107864	44	NUT-NYLOCK, 10-24, SST
9	552052	10	SUPPORT MTG PLT, 11 GA, GALV
10	106997	20	SCREW-HEX HD, 5/16-18X1.0,SST,BLACK
11	106998	20	WSHR-FLAT, 5/16, SST, BLACK
12	102680	20	NUT-SER FLG, 5/16-18, SST
13	108913	2	STEP PAD, 15" X 6.5", PLASTIC (IF NEEDED)



SERVICE PARTS LIST

- MODEL NO. - 477097
 - 477101
 - 477102
 - 477108
 - 477113
 - 477114
 - 477125

NOTE:
 SOME APPLICATIONS WILL
 USE A SMALL STEP PAD
 FOR THE BOX STEP.



Choose reliable running boards offered on our website.