

INSTALLATION INSTRUCTIONS AND PARTS LIST
MODEL 477054, 477060 REGAL 7 OVAL STEPS (BOARDS ONLY)
UNIVERSAL APPLICATIONS



1. Read instructions completely and check to make sure that all required parts (listed on the service parts list) are on hand before starting the installation.
2. Follow the instructions included with the specific bracket package that you are using to mount the brackets to your vehicle. The serial number label is located on the front inside drivers side step assembly.
3. The step is pre-assembled from the factory. The serial number label is located on the front inside drivers side step assembly.
- 4.
5. Attaching the step to the mounting bracket:
 - 4.1 Set the step on the mounting brackets, and slide each support mounting plate (item #9) inside the oval step and above each bracket.
 - 4.2 Using the supplied 5/16-18 x 1" black stainless steel hex bolt, washer, and serrated flange nut (items # 10,11&12) attach the step assembly, support mounting plate and mounting bracket.
 - 4.3 Set the step plate in the correct position and tighten all fasteners.
Torque all 5/16" fasteners to 19 LB FT.

SERVICE PARTS LIST

ITEM	PART NO.	QTY	DESCRIPTION
1&2	552054	2	REGAL 7 OVAL STEP, LH,RH,52",477054
1&2	552055	2	REGAL 7 OVAL STEP, LH,RH,58",477060
3	109233	2	END CAP LH REAR, RH FRONT,BLK PLASTIC
4	109232	2	END CAP RH REAR, LH FRONT,BLK PLASTIC
5	107863	8	BOLT-CARRAIGE, 10-24 X 0.50,SST, BLACK
6	108909	2	STEP PAD, 25" X 6.5", PLASTIC, BLACK
7	108908	12	BOLT-CARRAIGE, 10-24 X 1.0,SST, BLACK
8	107864	12	NUT-NYLOCK, 10-24, SST
9	552052	6	SUPPORT MTG PLT, 11 GA, GALV
10	106997	12	SCREW-HEX HD, 5/16-18X1.0,SST,BLACK
11	106998	12	WSHR-FLAT, 5/16, SST, BLACK
12	102680	12	NUT-SER FLG, 5/16-18, SST



INSTALLATION INSTRUCTIONS AND PARTS LIST

APPLICATION:

MODEL 401441 STEP BRACKETS:

2014 GM SILVERADO & SIERRA REGULAR CAB PICKUPS



1. READ INSTRUCTIONS COMPLETELY AND CHECK TO MAKE SURE THAT ALL REQUIRED PARTS (LISTED ON THE SERVICE PARTS LIST) ARE ON HAND BEFORE STARTING THE INSTALLATION.
2. ATTACH THE MOUNTING BRACKETS TO THE VEHICLE AS FOLLOWS: [SEE FIG. 1]
 - 2.1 ATTACH THE TOP OF THE MOUNTING BRACKETS (ITEM #1) TO THE VEHICLE AS SHOWN.
 - 2.2 INSERT 5/16" MULTI-THREAD U-NUT (ITEM #7) INTO THE UPPER HOLES IN THE ROCKER PANEL (SEE FIG. 1).
(NOTE: SOME VEHICLES WILL HAVE THREADED INSERTS IN THE ROCKER PANELS, AND WILL NOT REQUIRE THE INSTALLATION OF THE U-NUTS.)
 - 2.3 ATTACH THE TOP OF THE BRACKETS (ITEM #1 & 2) TO THE VEHICLE WITH 5/16-18 X 1.0 SCREW AND FLAT WASHER (ITEMS #5&4). HAND TIGHTEN ONLY.
(NOTE: IF VEHICLE HAS THREADED INSERTS AS STATED ABOVE IT WILL REQUIRE A BLACK M8 X 30MM SCREW (ITEM #3) IN PLACE OF THE 5/16-18X 1.0 SCREW.)
 - 2.4 INSTALL THE BLACK M8-1.25 SCREW (ITEM#3) AND WASHER (ITEM#4) PLACE PINCH WELD SUPPORT BRACKET (ITEM #8) ABOVE PINCH WELD AS SHOWN INSTALL M8 FLANGE NUT (ITEM#6) *(UNLESS THERE IS A THREADED INSERT ATTACHED TO THE VEHICLE)* - THIS IS DONE ON EACH MOUNTING BRACKET. TIGHTEN ALL FASTENERS TO 19 LB FT.
3. ATTACHING THE STEP ASSEMBLY:
PLEASE REVIEW THE INSTALLATION INSTRUCTIONS THAT ARE INCLUDED IN YOUR STEP ASSEMBLY FOR SPECIFIC DETAILS.

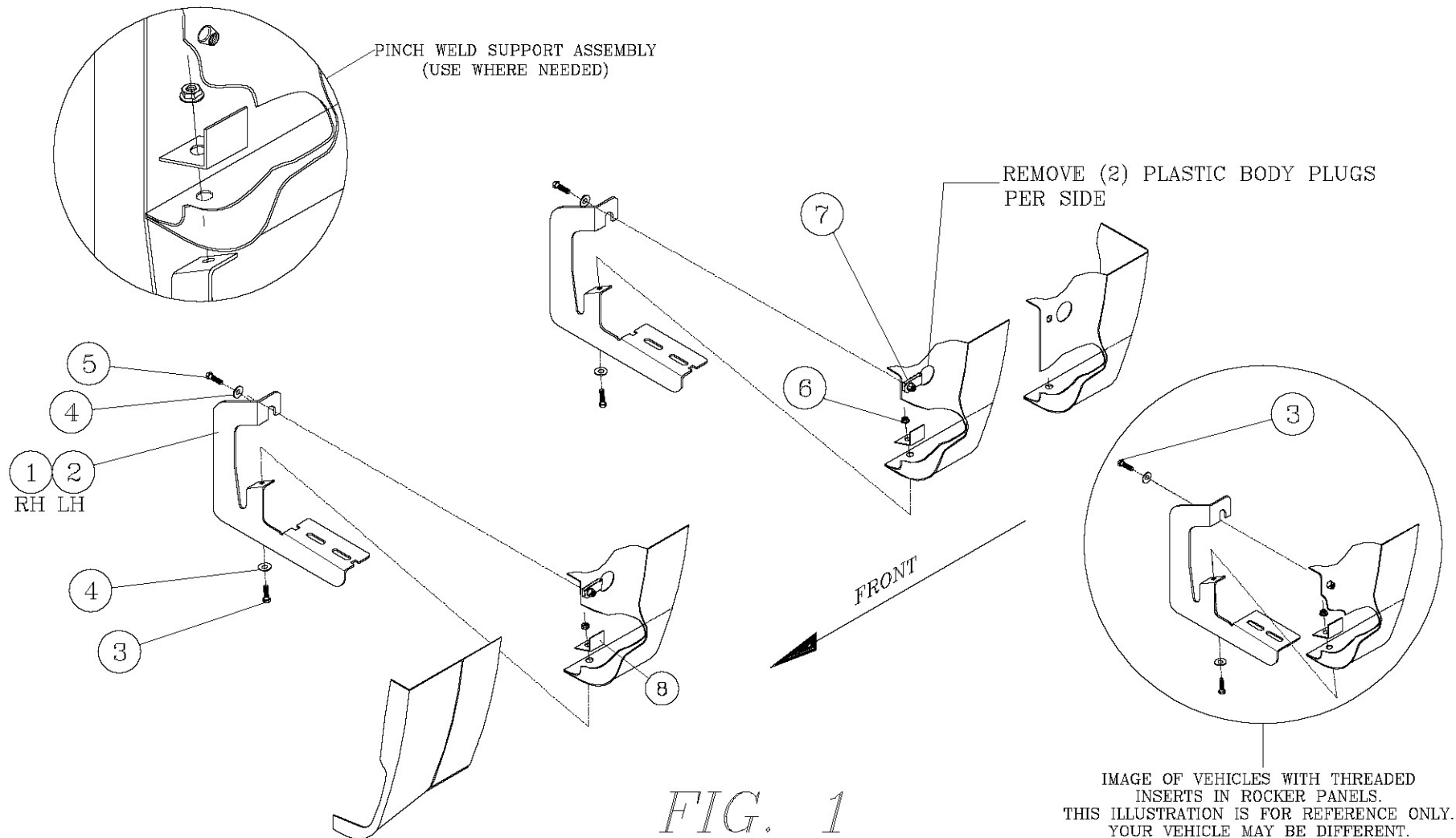
SERVICE PARTS LIST

ITEM	PART NO.	QTY	DESCRIPTION
PARTS INCLUDED IN THE BRACKET PACKAGE			
1	552725	4	MOUNTING BRACKET, RH, GRIP STEPS (PASSENGER SIDE)
2	552726	2	MOUNTING BRACKET, LH, GRIP STEPS (DRIVERS SIDE)
3	100180	8	M8 X 30 X1.25 SCR,SST,BZP
4	106998	8	5/16" STD FLAT WASHER SST, BZP
5	100647	4	5/16" X 1.00" SCR ZP
6	105859	4	M8-1.25 FLANGED NUT ZP
7	105541	4	U-NUT 5/16" - 18
8	551666	4	BRKT-MTG,PINCH WELD SUPPORT

SERVICE PARTS LIST

MODEL NO. 401441

NOTE:
THE MOUNTING PATTERNS MAY NOT BE EXACTLY
AS SHOWN. HOWEVER THERE WILL BE ENOUGH
FASTENERS TO MAKE THE APPLICATION.



LEFT (DRIVER) SIDE SHOWN
-RIGHT (PASSENGER) SIDE OPPOSITE-