

**INSTALLATION INSTRUCTIONS AND PARTS LIST**  
**MODEL 477054, 477060 REGAL 7 OVAL STEPS (BOARDS ONLY)**  
**UNIVERSAL APPLICATIONS**



1. Read instructions completely and check to make sure that all required parts (listed on the service parts list) are on hand before starting the installation.
2. Follow the instructions included with the specific bracket package that you are using to mount the brackets to your vehicle. The serial number label is located on the front inside drivers side step assembly.
3. The step is pre-assembled from the factory. The serial number label is located on the front inside drivers side step assembly.
- 4.
5. Attaching the step to the mounting bracket:
  - 4.1 Set the step on the mounting brackets, and slide each support mounting plate (item #9) inside the oval step and above each bracket.
  - 4.2 Using the supplied 5/16-18 x 1" black stainless steel hex bolt, washer, and serrated flange nut (items # 10,11&12) attach the step assembly, support mounting plate and mounting bracket.
  - 4.3 Set the step plate in the correct position and tighten all fasteners.  
Torque all 5/16" fasteners to 19 LB FT.

**SERVICE PARTS LIST**

ITEM	PART NO.	QTY	DESCRIPTION
1&2	552054	2	REGAL 7 OVAL STEP, LH,RH,52",477054
1&2	552055	2	REGAL 7 OVAL STEP, LH,RH,58",477060
3	109233	2	END CAP LH REAR, RH FRONT,BLK PLASTIC
4	109232	2	END CAP RH REAR, LH FRONT,BLK PLASTIC
5	107863	8	BOLT-CARRAIGE, 10-24 X 0.50,SST, BLACK
6	108909	2	STEP PAD, 25" X 6.5", PLASTIC, BLACK
7	108908	12	BOLT-CARRAIGE, 10-24 X 1.0,SST, BLACK
8	107864	12	NUT-NYLOCK, 10-24, SST
9	552052	6	SUPPORT MTG PLT, 11 GA, GALV
10	106997	12	SCREW-HEX HD, 5/16-18X1.0,SST,BLACK
11	106998	12	WSHR-FLAT, 5/16, SST, BLACK
12	102680	12	NUT-SER FLG, 5/16-18, SST



# INSTALLATION INSTRUCTIONS AND PARTS LIST

APPLICATION:

**MODEL 401111 STEP BRACKETS:**

**1999 GM SILVERADO & SIERRA REGULAR CAB PICKUPS**



1. READ INSTRUCTIONS COMPLETELY AND CHECK TO MAKE SURE THAT ALL REQUIRED PARTS (LISTED ON SERVICE PARTS LIST) ARE ON HAND BEFORE STARTING THE INSTALLATION.
2. ASSEMBLE THE LOAD REACTION STUDS AND HARDWARE (ITEM #5 THRU #8) AS FOLLOWS.
  - 2.1. ON THE SHORT THREADED END OF THE LOAD REACTION STUD (ITEM #8), INSTALL A BLACK 3/8" SERRATED FLANGE NUT (ITEM #7) BACKWARDS TO THE BOTTTOM OF THE THREAD. THEN, INSTALL A BLACK 3/8" FLAT WASHER (ITEM #6) AND RUBBER "CUSHION" WASHER (ITEM #5) TIGHT UP AGAINST THE SERRATED FLANGE NUT. (THE END OF THE STUD MUST BE RECESSED IN THE RUBBER WASHER APPROX. 3/16").
  - 2.2. ON THE LONG THREADED END OF THE STUD, INSTALL A BLACK 3/8" SERRATED FLANGE NUT (ITEM #7) BACKWARDS TO THE BOTTTOM OF THE THREADS
3. ATTACH THE LOAD REACTION STUD ASSEMBLIES TO THE BODY MOUNTING BRACKETS AS SHOWN.

**NOTE: IF YOU ARE MOUNTING THE STEPS ON A 1500 MODEL PICKUP, YOU MUST ATTACH BRACKET (ITEM #9) TO BRACKETS (ITEM #1 & 2) (SEE FIG 2.) IN ORDER TO USE THE LOAD REACTION STUD.**

- 3.1. INSERT THE STUD, FROM THE INBOARD SIDE OF THE BRACKET THRU THE LOWEST HOLE IN THE BENT FLANGE THAT WILL ALLOW THE RUBBER WASHER TO SEAT FIRM AGAINST THE SIDE WALL OF THE FRAME. INSTALL A BLACK FLANGE NUT (ITEM #7) ON THE OUTBOARD END OF THE STUD (FINGER TIGHT ONLY).

**NOTE:**

**DUE TO EXCESSIVE THREAD LOCKER IN THE BODY MOUNT BOLT AREA ON THE 2010+ GM SILVERADO/SIERRA, USE CAUTION WHEN REMOVING THE BODY MOUNT BOLTS TO REDUCE THE RISK OF CAUSING DAMAGE TO THE THREADED INSERTS INSIDE THE VEHICLE.**

4. REMOVE THE FACTORY FRONT, AND REAR BODY MOUNT BOLTS (ONE SIDE OF THE VEHICLE AT A TIME) AND INSTALL THE MOUNTING BRACKETS PER THE FOLLOWING INSTRUCTIONS.
  - 4.1. INSTALL THE FRONT MTG BRKT (ITEM #1 & #2) TO THE FRONT CAB MOUNT AS SHOWN (LEAVE THESE FASTENERS FINGER TIGHT).
  - 4.2. INSTALL THE REAR MTG BRKT (ITEM #3 & #4) TO THE REAR CAB MOUNT AS SHOWN (LEAVE THESE FASTENERS FINGER TIGHT).
5. ATTACHING THE STEP ASSEMBLY:  
PLEASE REVIEW THE INSTALLATION INSTRUCTIONS THAT ARE INCLUDED IN YOUR STEP ASSEMBLY FOR SPECIFIC DETAILS.

TIGHTEN THE BODY MOUNT BOLTS PER MANUFACTURERS SPECS.  
TIGHTEN ALL REMAINING 3/8" BOLTS/NUTS TO 19 LB FT.



# INSTALLATION INSTRUCTIONS AND PARTS LIST

APPLICATION:

**MODEL 401111 STEP BRACKETS:**

**1999 GM SILVERADO & SIERRA REGULAR CAB PICKUPS**

## SERVICE PARTS LIST

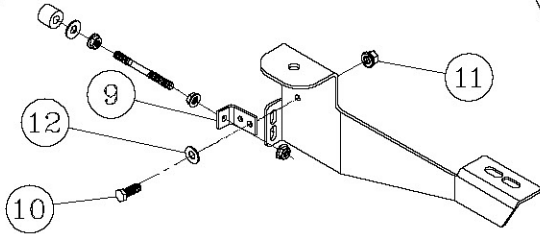
ITEM	PART NO.	QTY	DESCRIPTION
<b>PARTS INCLUDED IN BRACKET PACKAGE</b>			
1	551868	1	BRACKET-MTG, CAB, FRONT, LH, 401111
2	551869	1	BRACKET-MTG, CAB, FRONT, RH, 401111
3	551870	1	BRACKET-MTG, CAB, REAR, LH, 401111
4	551871	1	BRACKET-MTG, CAB, REAR, RH, 401111
5	102592	4	WSHR, RUBBER, .354 ID X 1.00 OD X .75 THK
6	106962	4	WSHR, FL, 3/8", .438 ID X 1.00 OD X .083" THK, BZP
7	106995	12	NUT, SERR FLG, HEX, 3/8-16 UNC, BZP
8	106960	4	STUD, -DBL ENDED, STL, 3/8-16 X 4.50", BZP
9	551571	2	BRKT, 90 DEGREE, 3 HOLES
10	106997	2	SCREW, HHC, 5/16-18X1.00, BZP
11	106996	2	NUT-SERR FLG, 5/16-18, BZP
12	106998	2	WSHR-FL, SST, 5/16", BZP



SERVICE PARTS LIST

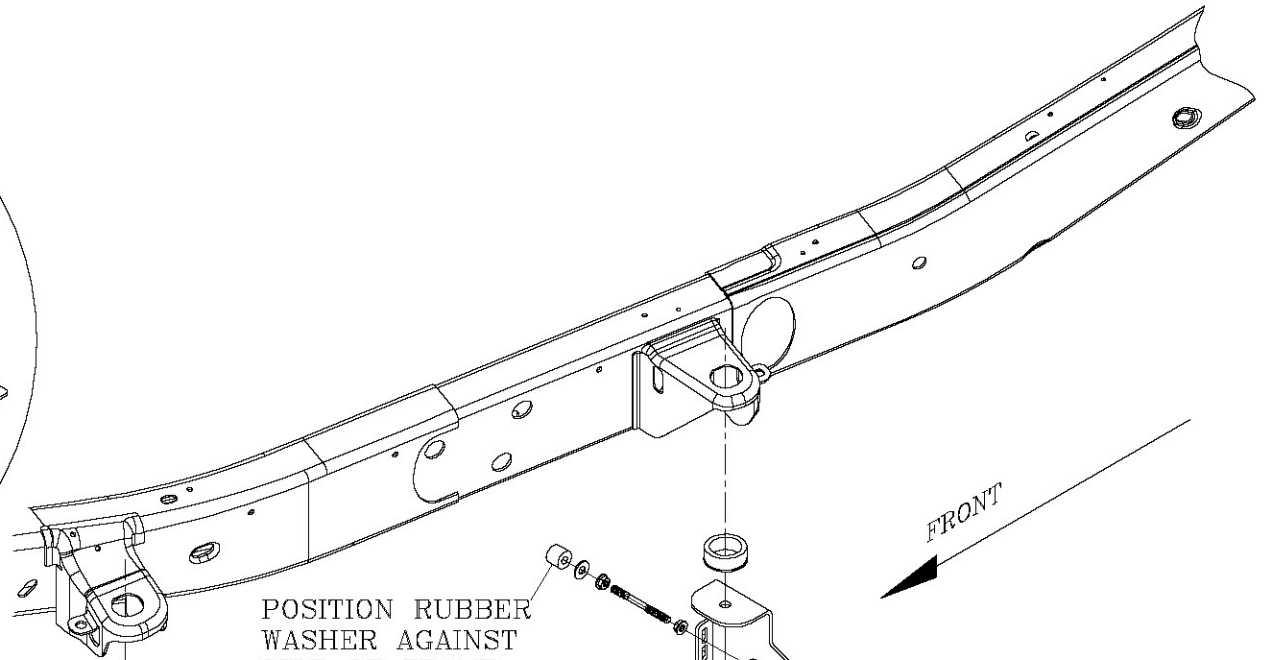
MODEL NO. -401111

FIG. 2



MOUNTING INSTRUCTIONS  
FOR THE FRONT BRACKET.  
1500 APPLICATIONS

#9-12 ARE USED  
ON 1500 MODELS ONLY



POSITION RUBBER  
WASHER AGAINST  
SIDE OF FRAME

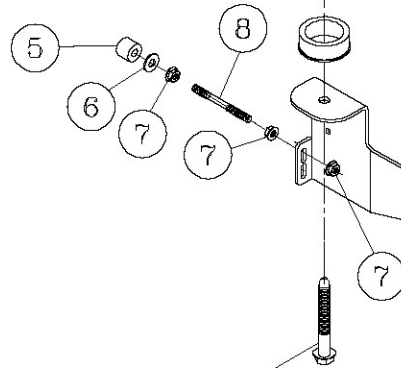


FIG. 1

- ① LH FRONT (SHOWN)
- ② RH FRONT

- ③ LH CENTER (SHOWN)
- ④ RH CENTER

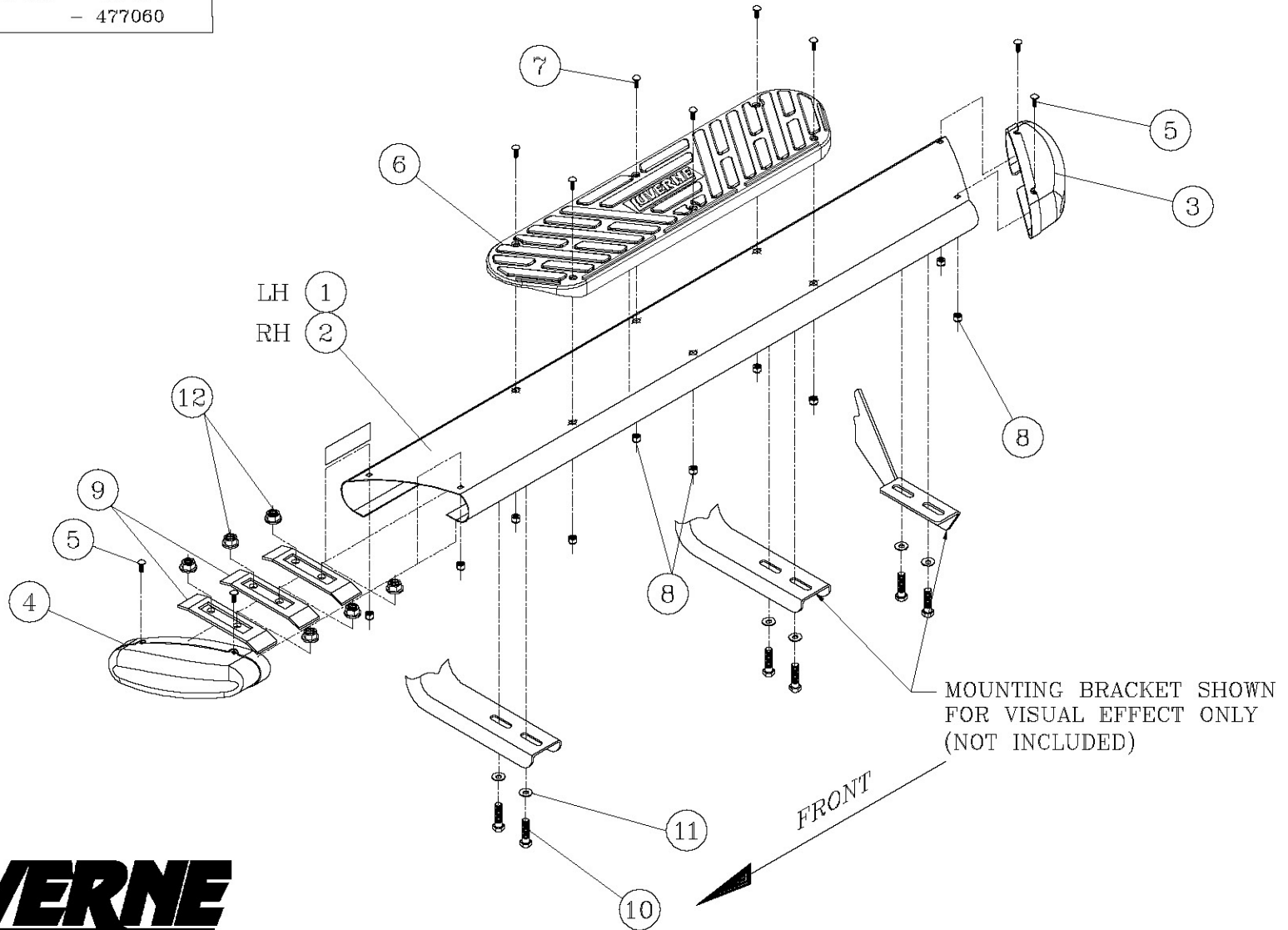
EXISTING BODY MOUNT BOLTS  
TORQUE PER INSTRUCTION

LEFT (DRIVER) SIDE SHOWN  
-RIGHT (PASSENGER) SIDE OPPOSITE-



SERVICE PARTS LIST

MODEL NO. - 477054  
- 477060



Get in and out of your truck or SUV easier with running boards available on our website.