

INSTALLATION INSTRUCTIONS AND PARTS LIST

MODEL: 415254
54" GRIP STEP
UNIVERSAL APPLICATION

1. READ INSTRUCTIONS COMPLETELY AND CHECK TO MAKE SURE THAT ALL REQUIRED PARTS (LISTED ON SERVICE PARTS LIST) ARE ON HAND BEFORE STARTING THE INSTALLATION.
2. FOLLOW THE INSTRUCTIONS INCLUDED WITH THE SPECIFIC BRACKET PACKAGE THAT YOU ARE USING, TO MOUNT THE BRACKETS TO YOUR VEHICLE.
3. ATTACHING THE STEP TO THE BRACKETS.
 - 3.1 SLIDE THE END CAP (ITEM #5) OVER THE ENDS OF THE STEP (ITEM #1). USING THE SUPPLIED #8 X 1/2" SELF DRILLING TEK SCREW (ITEM #6). SCREW THE END CAPS TO THE BOTTOM OF THE STEP.
 - 3.2 SET THE STEP ON THE MOUNTING BRACKETS AND SLIDE THE (2) SUPPORT BRACES (ITEM #3) INSIDE THE CHANNEL OF THE STEP AND ATTACH THE FLAT SPACER (ITEM #2) TO THE BOTTOM OF THE STEP, ABOVE THE TOP OF THE BRACKET.
 - 3.3 USING THE SUPPLIED 5/16-18 X 1.0 CARRIAGE BOLT, WASHER, NUT (ITEMS # 4, 7, 8), ATTACH THE STEP ASSEMBLY, SUPPORT BRACKET, SPACER PLATE TO THE MOUNTING BRACKET.
 - 3.4 SET THE STEP INTO A LEVEL POSITION AND TIGHTEN ALL FASTENERS.

SERVICE PARTS LIST

ITEM	PART NO.	QTY	DESCRIPTION
1	551954	1	GRIP STEP BOARD, 54", BLK
2	551298	2	SPACER PLATE, FLAT, GALV.
3	551296	2	SUPPORT BRACE, GALV.
4	108683	4	BOLT-CARRAIGE, 5/6-18 X 1.00,SST
5	551394	2	END CAP, GRIP STEP, BLACK
6	107958	4	SCREW-TEK, #8X1/2, SST,BLK
7	101369	4	WASHER-FLAT, 5/16, SST
8	102680	4	NUT SERR FLG,SST,5/16"



SERVICE PARTS LIST

MODEL NO. - 571478

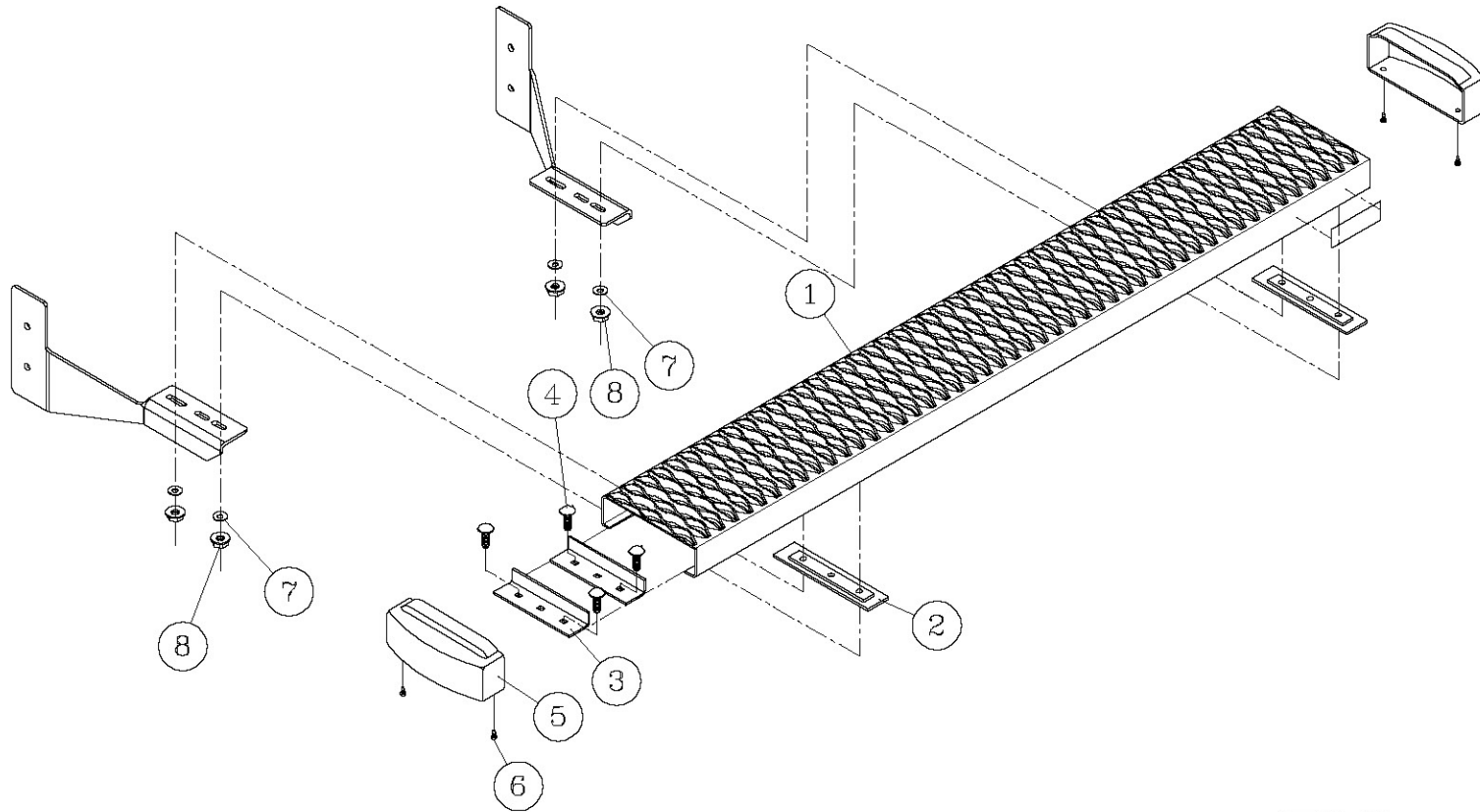


FIG. 1

INSTALLATION INSTRUCTIONS AND PARTS LIST

APPLICATION:
MODEL 401478 REAR GRIP-STEP BRACKETS
2014+ RAM PROMASTER VAN



1. READ INSTRUCTIONS COMPLETELY AND CHECK TO MAKE SURE THAT ALL REQUIRED PARTS (LISTED ON SERVICE PARTS LIST) ARE ON HAND BEFORE STARTING THE INSTALLATION.
2. ATTACHING THE BRACKETS TO THE VEHICLE AS SHOWN IN FIG 1:
 - 2.1 LOCATE THE 10MM THREADED STUD FACING FORWARD UNDER THE FRAME RAIL AND REMOVE THE NUT (THIS WILL BE REUSED).
 - 2.2 REMOVE THE SQUARE BODY PLUGS THAT ARE AT THE BOTTOM OF THE FRAME RAILS. **SCRAPE ANY UNDER COATING FROM THE UNDERSIDE OF THE VEHICLE WHERE THE BRACKET IS GOING TO TOUCH**, INSTALL THE T-BOLT INTO THE HOLE (ITEM #5). BOTH SIDES, MAKE SURE THE LONG TAB IS POINTED TOWARDS THE FRONT OF THE VEHICLE.
 - 2.3 INSTALL THE UPPER BRACKETS (ITEMS #3, 4) ON THE T-BOLT, AND THE FACTORY STUD USING THE EXISTING 10MM NUT, AND THE 1/2-13 NUT (ITEM #6). TIGHTEN THESE FASTENERS. BOTH SIDES.
 - 2.4 ATTACH THE LOWER BRACKETS (ITEMS #1, 2) ALONG WITH THE LOAD REACTION STUD BRACKET (ITEM #10) TO THE UPPER BRACKET USING THE SUPPLIED 3/8-16X1.0 BOLTS, WASHER, AND NUTS (ITEMS #7, 8, 9). KEEP THESE LOOSE FOR FINAL ADJUSTMENT.
3. ATTACHING THE STEP TO THE BRACKETS.
PLEASE REVIEW THE INSTALLATION INSTRUCTIONS THAT ARE INCLUDED IN YOUR STEP ASSEMBLY FOR SPECIFIC DETAILS.

SERVICE PARTS LIST

ITEM	PART NO.	QTY	DESCRIPTION
PARTS INCLUDED IN THE BRACKET PACKAGE			
1	552622	1	BRKT-MTG, LOWER REAR, LH,BLK
2	552623	1	BRKT-MTG, LOWER REAR, RH,BLK
3	552448	1	BRKT-MTG, UPPER REAR, LH,BLK
4	552449	1	BRKT-MTG, UPPER REAR, RH,BLK
5	552452	2	T-BOLT WELDMENT, 1/2-13X1.25,ZP
6	104261	2	NUT-HEX FLANGE, 1/2-13,ZP
7	106963	4	SCREW-HEX HEAD, 3/8-16X1.00,SST,BLACK
8	106998	4	WASHER-FLAT, 3/8", SST, BLACK
9	106995	4	NUT-HEX, FLANGE, 3/8-16, SST,BLACK



(A LUVERNE Company)

SERVICE PARTS LIST

MODEL NO. - 401478

ROTATE THE T-BOLT WELDMENTS (ITEM #5) SO THE LONG TAB IS TOWARDS THE FRONT OF THE VEHICLE.

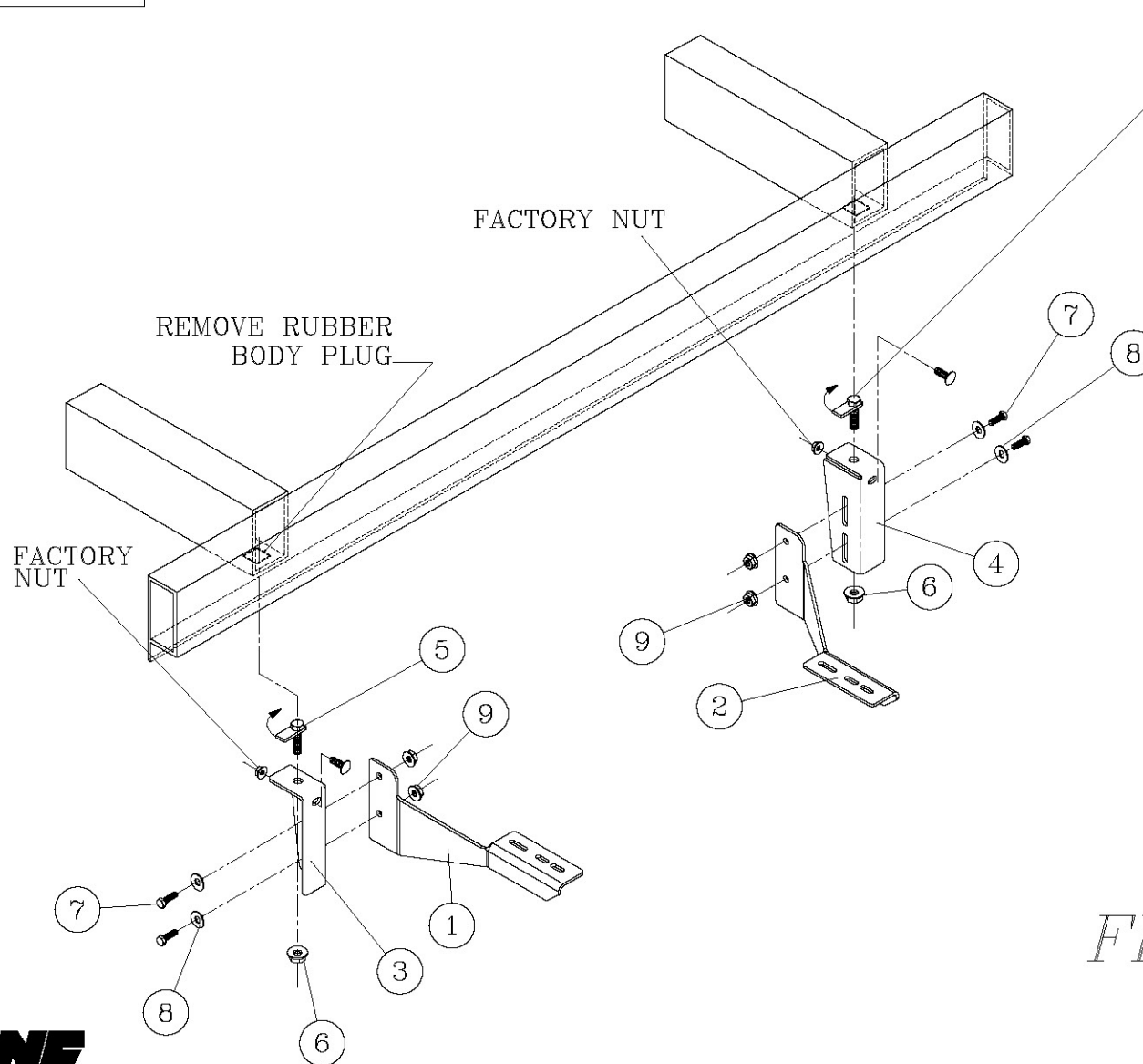


FIG. 1

