

INSTALLATION INSTRUCTIONS AND PARTS LIST

MODEL: 415254
54" GRIP STEP
UNIVERSAL APPLICATION

1. READ INSTRUCTIONS COMPLETELY AND CHECK TO MAKE SURE THAT ALL REQUIRED PARTS (LISTED ON SERVICE PARTS LIST) ARE ON HAND BEFORE STARTING THE INSTALLATION.
2. FOLLOW THE INSTRUCTIONS INCLUDED WITH THE SPECIFIC BRACKET PACKAGE THAT YOU ARE USING, TO MOUNT THE BRACKETS TO YOUR VEHICLE.
3. ATTACHING THE STEP TO THE BRACKETS.
 - 3.1 SLIDE THE END CAP (ITEM #5) OVER THE ENDS OF THE STEP (ITEM #1). USING THE SUPPLIED #8 X 1/2" SELF DRILLING TEK SCREW (ITEM #6). SCREW THE END CAPS TO THE BOTTOM OF THE STEP.
 - 3.2 SET THE STEP ON THE MOUNTING BRACKETS AND SLIDE THE (2) SUPPORT BRACES (ITEM #3) INSIDE THE CHANNEL OF THE STEP AND ATTACH THE FLAT SPACER (ITEM #2) TO THE BOTTOM OF THE STEP, ABOVE THE TOP OF THE BRACKET.
 - 3.3 USING THE SUPPLIED 5/16-18 X 1.0 CARRIAGE BOLT, WASHER, NUT (ITEMS # 4, 7, 8), ATTACH THE STEP ASSEMBLY, SUPPORT BRACKET, SPACER PLATE TO THE MOUNTING BRACKET.
 - 3.4 SET THE STEP INTO A LEVEL POSITION AND TIGHTEN ALL FASTENERS.

SERVICE PARTS LIST

ITEM	PART NO.	QTY	DESCRIPTION
1	551954	1	GRIP STEP BOARD, 54", BLK
2	551298	2	SPACER PLATE, FLAT, GALV.
3	551296	2	SUPPORT BRACE, GALV.
4	108683	4	BOLT-CARRAIGE, 5/6-18 X 1.00,SST
5	551394	2	END CAP, GRIP STEP, BLACK
6	107958	4	SCREW-TEK, #8X1/2, SST,BLK
7	101369	4	WASHER-FLAT, 5/16, SST
8	102680	4	NUT SERR FLG,SST,5/16"



SERVICE PARTS LIST

MODEL NO. - 571478

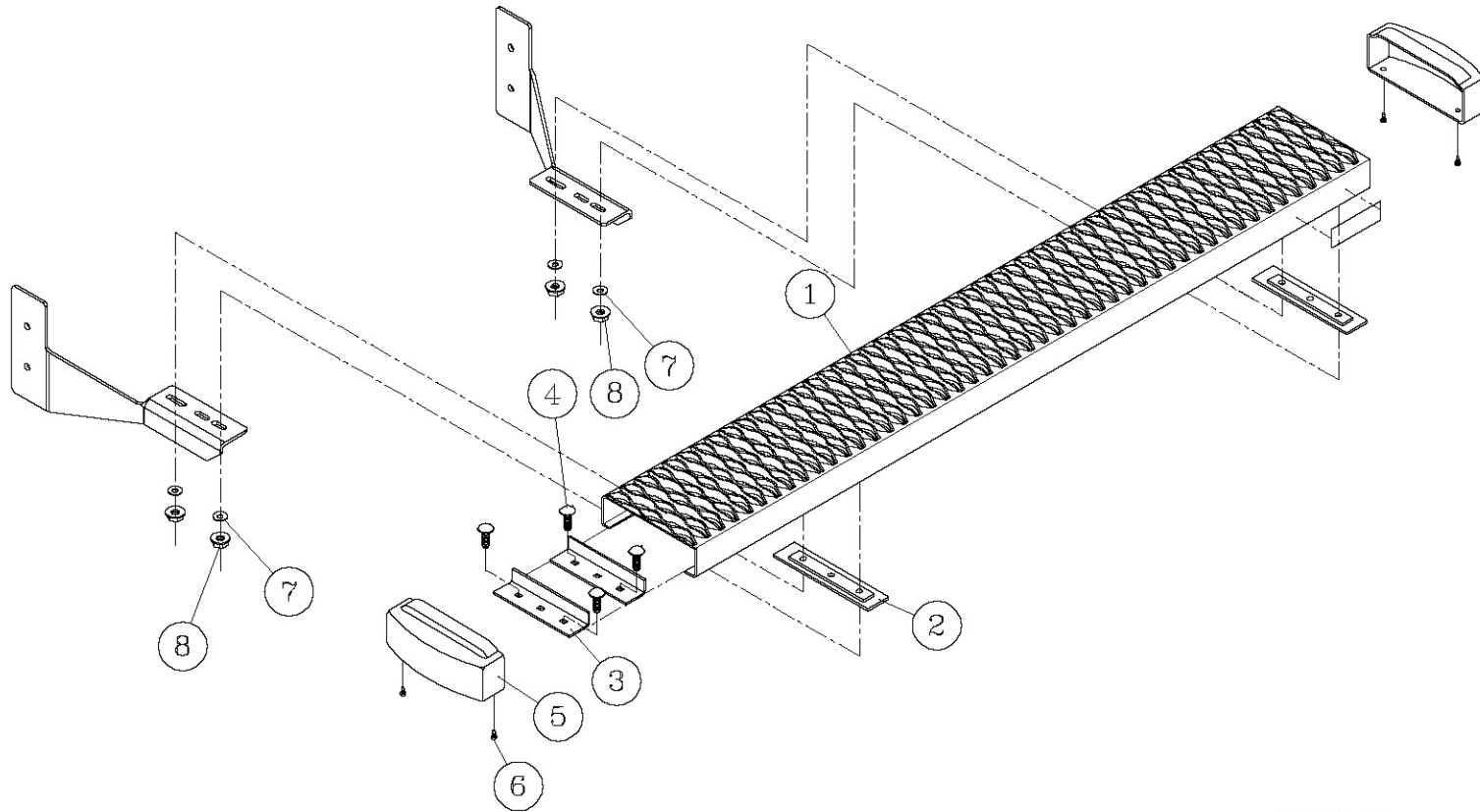


FIG. 1

INSTALLATION INSTRUCTIONS AND PARTS LIST

FOR MOUNTING 401473 GRIP STEPS PASSENGER CARGO DOOR ONLY
2014-NEWER RAM PROMASTER VANS

READ INSTRUCTIONS COMPLETELY AND CHECK TO MAKE SURE THAT ALL REQUIRED PARTS (LISTED ON SERVICE PARTS LIST) ARE ON HAND BEFORE STARTING THE INSTALLATION.

1. DETERMINE THE FRONT TO BACK PLACEMENT OF THE BRACKETS, AND PLACE THE FORWARD BRACKET (ITEM #1) UP TO THE INSIDE OF THE PINCH WELD AND SECURE IT USING A CLAMP. SOME UNDER COATING MAY NEED TO BE SCRAPPED OFF SO THE BRACKET WILL SIT FLAT WITH THE PINCH WELD.
2. USING THE HOLES IN THE BRACKET AS A REFERENCE, MARK THE CENTER OF (2) HOLES IN THE PINCH WELD, AND (2) HOLES INTO THE FLOOR OF THE VAN. REMOVE THE BRACKET FOR DRILLING. THE TWO HOLES MARKED ON THE PINCH WELD WILL BE DRILLED WITH A 11/32 DRILL BIT. THE HOLES IN THE FLOOR SHOULD BE DRILLED TO 1/4" DIAMETER IF USING THE SUPPLIED SELF TAPPING SCREWS.
IF YOU HAVE ACCESS TO 1/4-20 RIV-NUT TYPE FASTENERS, THEY COULD BE USED INSTEAD OF THE SELF TAPPING SCREWS.
3. INSTALL THE BRACKET (ITEM # 1) AND FASTEN IT TO THE PINCH WELD USING THE BLACK 5/16-18 BOLTS, WASHERS, NUTS, AND RETAINER PLATE (ITEM #3, 4, 5 & 6). LEAVE THEM LOOSE AT THIS TIME. INSTALL THE 5/16 X 3/4" SELF TAPPING SCREW AND ZINC WASHER (ITEM #7 & 8). OR THE ZINC 1/4-20X1.00" SCREWS AND ZINC WASHERS AND LOCK WASERS (ITEM#7,9,10).
4. TIGHTEN ALL FASTENERS
5. REPEAT FOR THE REAR BRACKET (ITEM #2).

SERVICE PARTS LIST

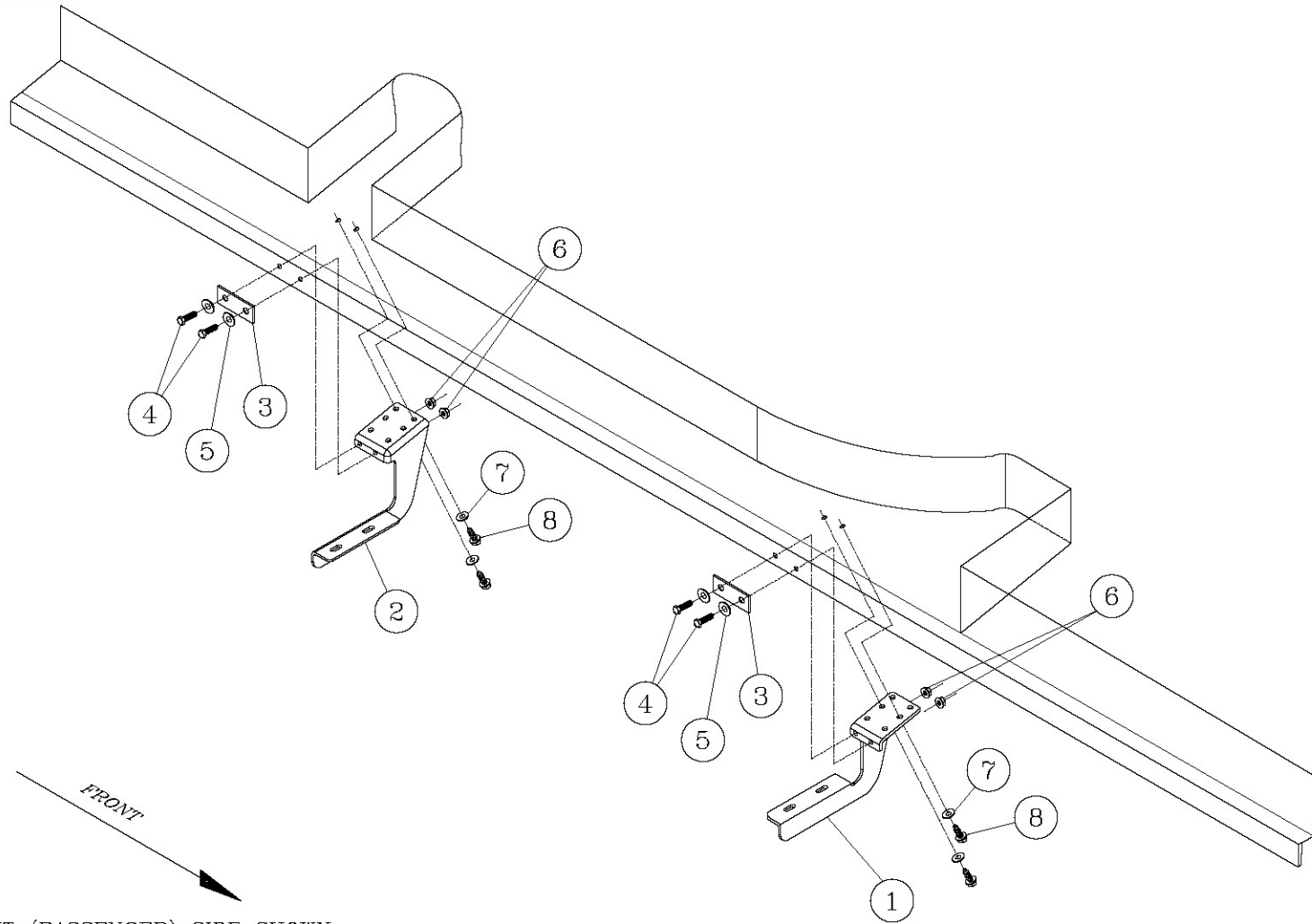
ITEM	PART NO.	QTY	DESCRIPTION
1	552407	1	MTG-BRKT, FRONT (GRIP STEPS)
2	552408	1	MTG-BRKT, REAR (GRIP STEPS)
1	552431	1	MTG-BRKT, FRONT (MEGA/O-MEGA STEPS)
2	552432	1	MTG-BRKT, REAR (MEGA/O-MEGA STEPS)
3	552410	2	RETAINER PLATE, GALV
4	100180	4	SCR-HHCAP, M8-1.25X30MM, SST, BZP
5	106998	4	WASHER-FL, 5/16, BZP
6	105859	4	NUT-HEX FLG, M8-1.25X25MM,ZP
7	100016	4	WASHER-FL, 5/16, ZP
8	104267	4	SCR-HWH, TF, AB, SST, 5/16 X .750
9	101381	4	SCR-HHCAP, 1/4-20X1.00, SST
10	101366	4	WASHER-LK,1/4",SST



(A LUVERNE Company)

SERVICE PARTS LIST

BRACKET NO. - 401473
- 571473



RIGHT (PASSENGER) SIDE SHOWN

