

INSTALLATION INSTRUCTIONS AND PARTS LIST

MODEL: 415254
54" GRIP STEP
UNIVERSAL APPLICATION

1. READ INSTRUCTIONS COMPLETELY AND CHECK TO MAKE SURE THAT ALL REQUIRED PARTS (LISTED ON SERVICE PARTS LIST) ARE ON HAND BEFORE STARTING THE INSTALLATION.
2. FOLLOW THE INSTRUCTIONS INCLUDED WITH THE SPECIFIC BRACKET PACKAGE THAT YOU ARE USING, TO MOUNT THE BRACKETS TO YOUR VEHICLE.
3. ATTACHING THE STEP TO THE BRACKETS.
 - 3.1 SLIDE THE END CAP (ITEM #5) OVER THE ENDS OF THE STEP (ITEM #1). USING THE SUPPLIED #8 X 1/2" SELF DRILLING TEK SCREW (ITEM #6). SCREW THE END CAPS TO THE BOTTOM OF THE STEP.
 - 3.2 SET THE STEP ON THE MOUNTING BRACKETS AND SLIDE THE (2) SUPPORT BRACES (ITEM #3) INSIDE THE CHANNEL OF THE STEP AND ATTACH THE FLAT SPACER (ITEM #2) TO THE BOTTOM OF THE STEP, ABOVE THE TOP OF THE BRACKET.
 - 3.3 USING THE SUPPLIED 5/16-18 X 1.0 CARRIAGE BOLT, WASHER, NUT (ITEMS # 4, 7, 8), ATTACH THE STEP ASSEMBLY, SUPPORT BRACKET, SPACER PLATE TO THE MOUNTING BRACKET.
 - 3.4 SET THE STEP INTO A LEVEL POSITION AND TIGHTEN ALL FASTENERS.

SERVICE PARTS LIST

| ITEM | PART NO. | QTY | DESCRIPTION |
|------|----------|-----|----------------------------------|
| 1 | 551954 | 1 | GRIP STEP BOARD, 54", BLK |
| 2 | 551298 | 2 | SPACER PLATE, FLAT, GALV. |
| 3 | 551296 | 2 | SUPPORT BRACE, GALV. |
| 4 | 108683 | 4 | BOLT-CARRAIGE, 5/6-18 X 1.00,SST |
| 5 | 551394 | 2 | END CAP, GRIP STEP, BLACK |
| 6 | 107958 | 4 | SCREW-TEK, #8X1/2, SST,BLK |
| 7 | 101369 | 4 | WASHER-FLAT, 5/16, SST |
| 8 | 102680 | 4 | NUT SERR FLG,SST,5/16" |



SERVICE PARTS LIST

MODEL NO. - 571478

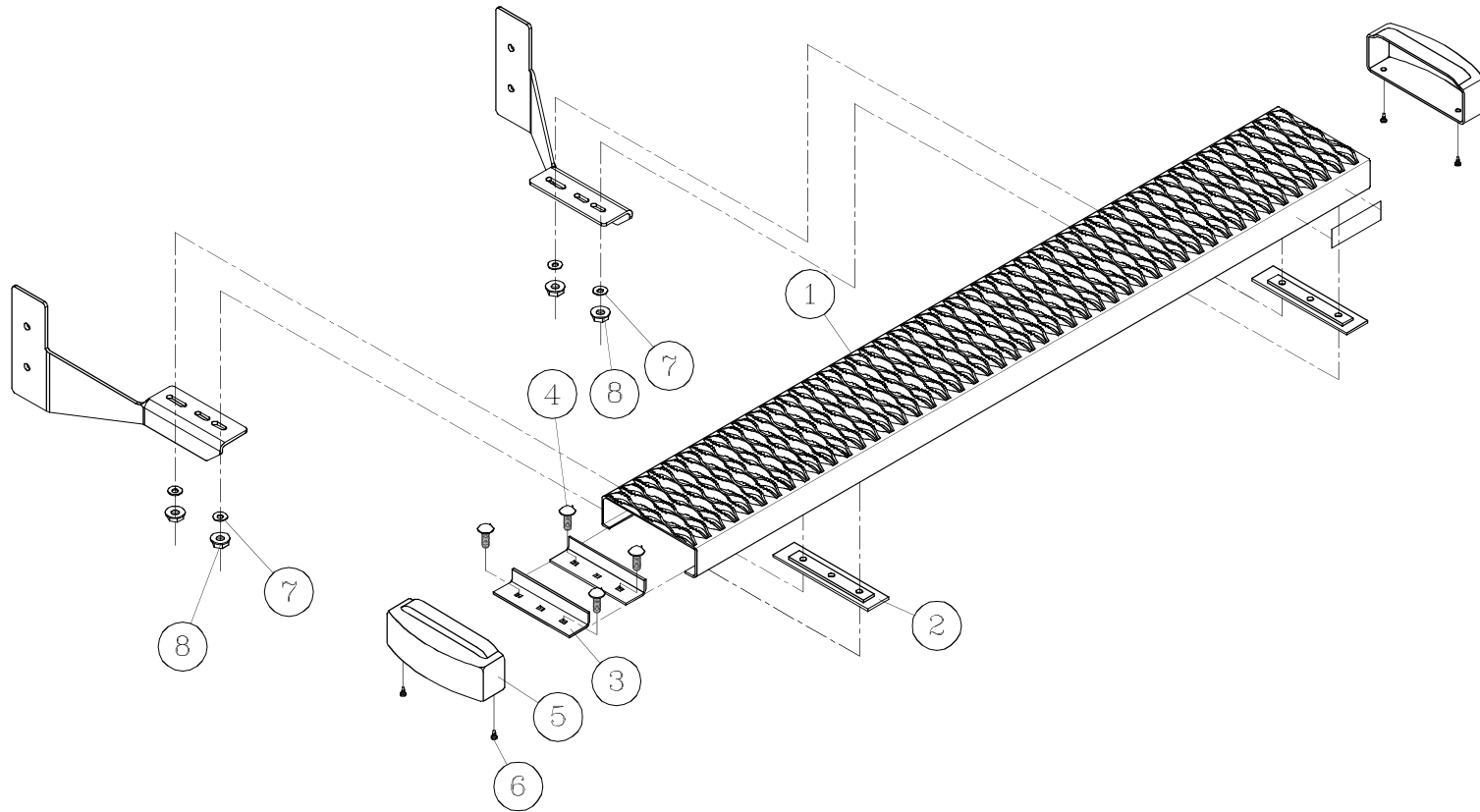


FIG. 1

INSTALLATION INSTRUCTIONS AND PARTS LIST

FOR MOUNTING 400743 GRIP STEPS 2007-NEWER SPRINTER VANS PASSENGER SIDE SLIDING DOOR ONLY

READ INSTRUCTIONS COMPLETELY AND CHECK TO MAKE SURE THAT ALL REQUIRED PARTS (LISTED ON SERVICE PARTS LIST) ARE ON HAND BEFORE STARTING THE INSTALLATION.

PASSANGER SIDE INSTALLATION

1. PREASSEMBLE BRACKETS (ITEM #1) WITH SPACER BRACKETS (ITEM #2), USING THE ZINC PLATED 5/16"-18 BOLTS, 5/16" WASHERS AND 5/16"-18 FLANGE NUTS (ITEMS #7, 8, 9). AS SHOWN IN FIG 1. FINGER TIGHTEN ONLY AT THIS TIME.
2. ATTACHING THE BRACKETS:
 - 2.1 ON THE BACK SIDE OF THE ROCKER PANEL, MEASURE 48-1/2" BACK FROM THE FRONT OF THE MUD FLAP. IN THIS LOCATION THERE SHOULD BE A BODY PLUG. SCRAPE AWAY THE UNDER COATING AND REMOVE THE BODY PLUG. MEASURE BACK 1/2" FROM THE OPENING, DRILL A 7/16" HOLE, AND INSERT THE 5/16"-18 U-NUT (ITEM #4). PLACE THE PREASSEMBLED BRACKETS (ITEM #1 & 2) IN PLACE. USING THE TOP SLOT IN THE MAIN BRACKET FASTEN THE BRACKET TO THE U-NUT USING A ZINC PLATED 5/16"-18 BOLT AND 5/16" WASHER (ITEMS #7, 8).
 - 2.2 USING THE LOWER BRACKET AS A GUIDE DRILL TWO 11/32" HOLES INTO THE PINCH WELD. FASTEN THE MAIN BRACKET (ITEMS #1, 2) AND THE RETAINER PLATE (ITEM #3) USING THE BLACK ZINC PLATED 5/16"-18 BOLTS, 5/16" WASHERS, AND 5/16"-18 FLANGE NUTS (ITEMS #5, 6, 9). AS SHOWN IN FIG 1.
 - 2.3 USING THE SAME STEPS AS ABOVE MEASURE BACK 68-1/2" AND 88-1/2", THERE WILL BE BODY PLUGS IN THESE LOCATIONS.
 - 2.4 THE BODY PLUG LOCATIONS USED WILL BE THE SECOND, FORTH, AND SIXTH LOCATIONS.
3. ATTACH THE STEP ASSEMBLY, MAKE SURE THAT ALL BRACKETS ARE LEVEL AND UPRIGHT AND TIGTEN ALL FASTENERS.
4. ATTACHING THE STEP ASSEMBLY:

PLEASE REVIEW THE ISTALLATION INSRTUCTIONS THAT ARE INCLUDED IN YOUR STEP ASSEMBLY FOR SPECIFIC DETAILS.

SERVICE PARTS LIST

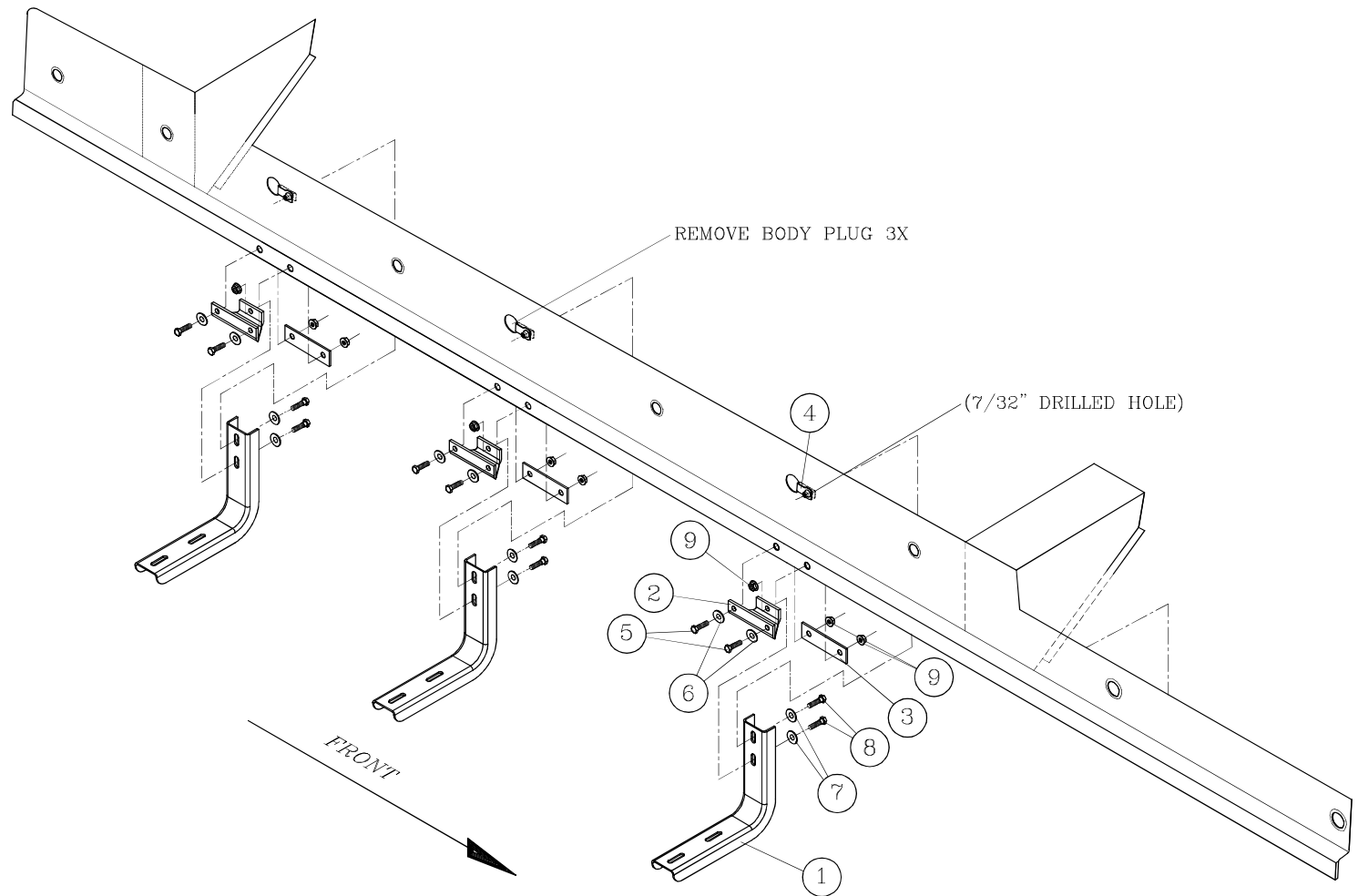
| ITEM | PART NO. | QTY | DESCRIPTION |
|------|----------|-----|-------------------------------------|
| 1 | 551940 | 3 | BRACKET-MTG, 12 GA, 2.00 LH/RH |
| 2 | 552288 | 3 | SPACER BRACKET, 7 GA, LH/RH |
| 3 | 552289 | 3 | PLATE-RETAINER, GALV, 7 GA |
| 4 | 105541 | 3 | NUT-U, MULTI THD, LG, 5/16-18, BLK |
| 5 | 106997 | 6 | SCR-HHCAP, 5/16-18 X 1.00, SST, BZP |
| 6 | 106998 | 6 | WASHER-FL, 5/16, BZP |
| 7 | 100034 | 6 | WASHER-FL, 5/16, ZP |
| 8 | 100647 | 6 | SCR-HEX HD, 5/16-18 X 1.00 STL, ZP |
| 9 | 100178 | 9 | NUT-HEX FLG, 5/16-18 |



SERVICE PARTS LIST

BRACKET NO. - 400743

fig. 1



RIGHT (PASSENGER) SIDE SHOWN

Learn more about running boards and step bars we have.