

INSTALLATION INSTRUCTIONS AND PARTS LIST

MODEL 415110, GRIP STEPS (BOARDS ONLY) UNIVERSAL APPLICATIONS

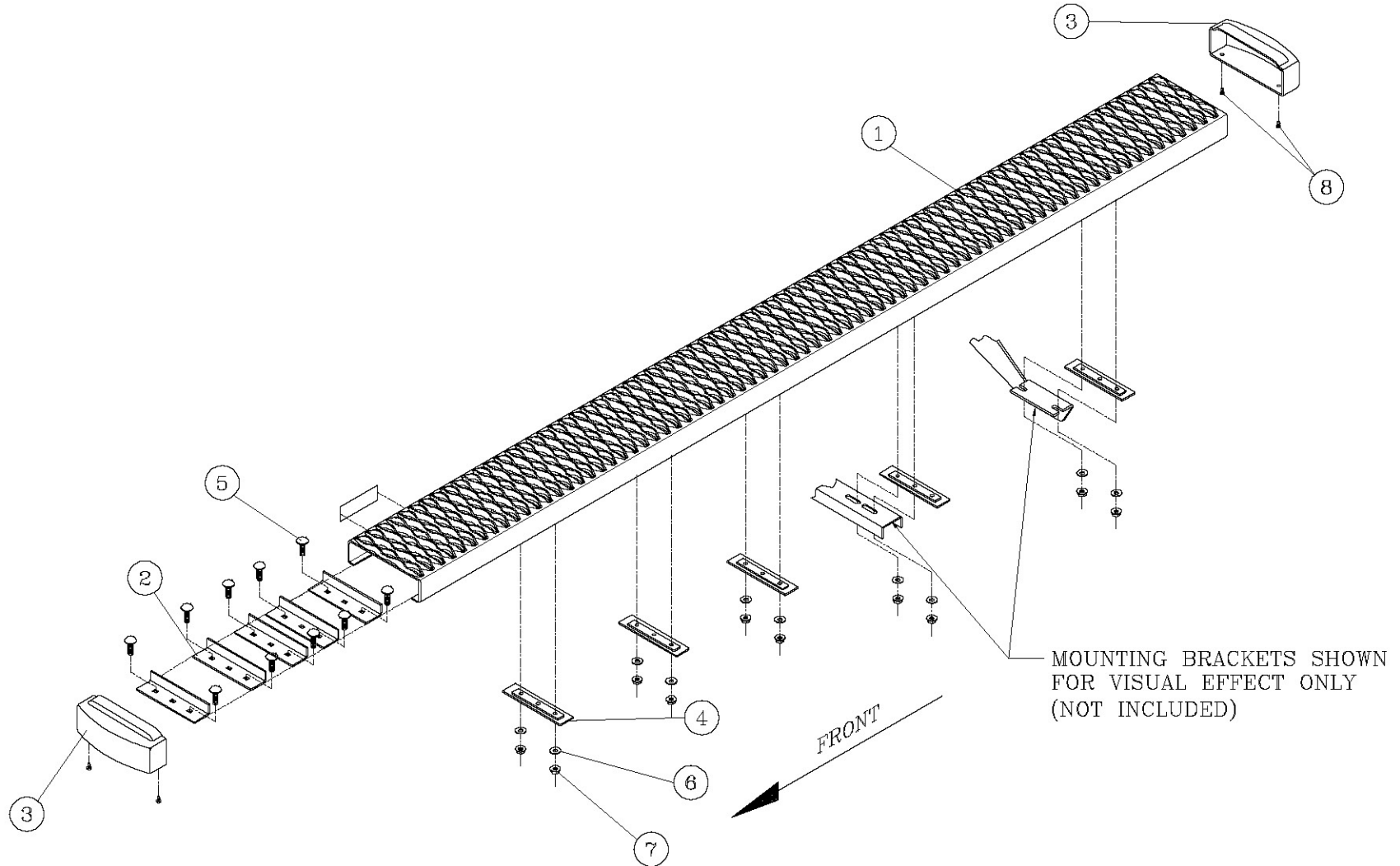
1. Read instructions completely and check to make sure that all required parts (listed on the service parts list) are on hand before starting the installation.
2. Follow the instructions included with the specific bracket package to mount the brackets to your vehicle.
3. Step assembly:
 - 3.1 This Board can be modified from its original length to fit many applications. Simply determine how long you will need the board, and cut to that length using a saber saw, chop saw, or hack saw. Use flat black paint to touch up the ends that were cut.
 - 3.2 Before attaching the grip steps to the brackets, slide the appropriate number of support braces (item #2) into the channel of the step (item #1).
 - 3.3 Slide the end cap (item #3) over the front and rear of each step. Using the supplied #8 x 1/2" self drilling tek screw (item #8), screw the end cap to the bottom of the step.
4. Attaching the step to the mounting bracket:
 - 4.1 Set the step on the mounting brackets, and slide each support brace over the top of each mounting bracket. Attach the flat spacer plate (item #4) to the bottom of the step, between the support brace, and the top of the mounting bracket.
 - 4.2 Using the supplied 5/16-18 x 1" carriage bolt, washer, and flange nuts, (item #5, 6, 7), attach the step assembly, flat spacer plate and mounting bracket. **(NOTE: Some of the flange nuts are supplied in the specific bracket package, not the step package.)**
 - 4.3 Set the step plate in the correct position and tighten all fasteners.
Torque all fasteners to 19 LB FT.

SERVICE PARTS LIST

ITEM	PART NO.	QTY	DESCRIPTION
1	551699	1	36" GRIP STEP, BLACK
1	551388	1	114" GRIP STEP, BLACK
2	551296	7	SUPPORT BRACE, UPPER, GALV.
3	551394	4	CAP-END,GRIP STEP, BLACK, PLASTIC
4	551298	7	SPACER PLATE, LOWER, BLACK
5	108683	14	BOLT-CRG,5/16-18 X 1.0", SST
6	101369	14	WASHER-FLAT,5/16,SST
7	102680	14	NUT-SERR FLG,HX,SST,WX,5/16-18
8	107958	8	SCR-TEK #8-18 X 1/2",SST,BLK

SERVICE PARTS LIST

MODEL NO. - 415110



INSTALLATION INSTRUCTIONS AND PARTS LIST

MODEL 401347 GRIP STEPS, SHORT/LONG

VEHICLE APPLICATION:

2003 AND NEWER 155" WB CHEVROLET EXPRESS AND GMC SAVANA VANS

READ INSTRUCTIONS COMPLETELY AND CHECK TO MAKE SURE THAT ALL REQUIRED PARTS (LISTED ON SERVICE PARTS LIST) ARE ON HAND BEFORE STARTING THE INSTALLATION

1. ON THE RIGHT SIDE OF THE VEHICLE, REMOVE THE FRONT BODY MOUNTING BOLT. THE BOLT, STEEL WASHER AND RUBBER CUSHION WILL BE REUSED.
2. INSTALL THE MULTI-THREAD U-NUT (ITEM #10) ON THE FRONT MOUNTING BRACKET (ITEM #3). **(NOTE: INSTALL IN THE BOTTOM HOLE FOR 2500 & 3500 VANS.)**
3. INSTALL THE FRONT MOUNTING BRACKET (ITEM #3) TO THE FRONT BODY MOUNT WITH THE WASHER AND THE RUBBER CUSHION BETWEEN THE MOUNTING BRACKET AND THE BODY MOUNT. THE STEP END OF THE BRACKET SHOULD BE PERPENDICULAR TO THE OUTSIDE BODY. TIGHTEN THE BOLT TO 65 LB. FT
4. INSTALL A 3/8"-16 SERRATED FLANGE NUT (ITEM #9) ON THE 3/8"-16 X 5" HEX BOLT (ITEM #8) WITH THE FLANGE FACING TOWARD THE END OF THE BOLT AND TURN ON JUST SHORT OF THE HEAD. SCREW THE BOLT INTO THE U-NUT AND WHEN IT COMES THROUGH THE OTHER SIDE START ANOTHER FLANGE NUT FACING THE SAME DIRECTION AS THE FIRST NUT. TURN THE NUT ON UNTIL THERE IS 11/16" PROTRUDING FROM THE FACE OF THE NUT, INSTALL A 3/8" FLAT WASHER (ITEM #12) AND THE .354 X 1.00 X .748 RUBBER WASHER (ITEM #13) INTO THE END OF THE BOLT. ADJUST THE LOAD REACTION BOLT ASSEMBLY SO THAT THE RUBBER CUSHION IS SNUG AGAINST THE FRAME AND TIGHTEN DOWN THE OUTSIDE FLANGE NUT. **(LOAD REACTION BOLT ASSEMBLY)** AS SHOWN IN *fig. 1*.
5. REMOVE THE SECOND BODY MOUNTING BOLT. THE BOLT, STEEL WASHER AND RUBBER CUSHION WILL BE REUSED.
6. INSTALL THE MULTI-THREAD U-NUT (ITEM #10) ON THE SECOND MOUNTING BRACKET (ITEM #4). INSTALL A .364 X .625 CAP PLUG (ITEM #15) ONTO THE END OF THE "U" NUT. **(NOTE: INSTALL IN THE BOTTOM HOLE FOR 2500 & 3500 VANS.)**
7. INSTALL THE SECOND MOUNTING BRACKET (ITEM #4) TO THE SECOND BODY MOUNT WITH THE WASHER AND THE RUBBER CUSHION BETWEEN THE MOUNTING BRACKET AND THE BODY MOUNT. THE STEP END OF THE BRACKET SHOULD BE PERPENDICULAR TO THE OUTSIDE BODY. TIGHTEN THE BOLT TO 65 LB. FT. **NOTE: FOR THE LH SIDE OF THE VEHICLE INSTALL THE MOUNTING BRACKET (ITEM #2) ALONG WITH THE SUPPORT BRACE (ITEM #16). DO NOT TIGHTEN THE BODY MOUNTING BOLT.**
8. INSTALL A 3/8"-16 SERRATED FLANGE NUT (ITEM #9) ON THE 3/8"-16 X 1-3/4" HEX BOLT (ITEM #7) WITH THE FLANGE FACING TOWARD THE END OF THE BOLT AND TURN ON JUST SHORT OF THE HEAD. SCREW THE BOLT INTO THE U-NUT AND WHEN IT COMES THROUGH THE OTHER SIDE ADJUST THE LOAD REACTION BOLT ASSEMBLY SO THAT THE RUBBER PLUG IS SNUG AGAINST THE FRAME AND TIGHTEN DOWN THE OUTSIDE FLANGE NUT. **(LOAD REACTION BOLT ASSEMBLY)** AS SHOWN IN *fig. 1*.
9. REPEAT STEPS 5 THRU 8 FOR THE THIRD MOUNTING BRACKET (ITEM #5) **EXCEPT, INSTALL THE U-NUT IN THE TOP HOLE OF THE BRACKET FOR THE 2500 & 3500 VANS.**



10. REMOVE THE NUT AND WASHER FROM THE FRONT SPRING SHACKLE BOLT. SAVE THE NUT TO BE REUSED. INSTALL THE BLACK SPACER WASHER (ITEM #14), MOUNTING BRACKET (ITEM #6), 5/8" FLAT WASHER (ITEM #11) AND THE FACTORY NUT ONTO THE SPRING SHACKLE BOLT.
11. AFTER MOUNTING THE 1st, 2nd AND 3rd BRACKET, MEASURE FROM THE BOTTOM OF THE BODY FLANGE DOWN TO THE BOTTOM OF THE MOUNTING BRACKETS TO MAKE SURE THEY ARE THE SAME, AND WHEN INSTALLING THE 4th BRACKET ADJUST IT TO THIS DIMENSION BEFORE TIGHTENING THE BOLTS. ONCE ADJUSTED TIGHTEN THE NUT TO 65 LB. FT.
12. FOR THE LEFT SIDE OF THE VEHICLE REPEAT STEPS 1 THRU 8.
13. FOR THE LEFT SIDE OF THE VEHICLE INSTALL THE BOARD AS PER THE BOARD INSTRUCTIONS.
14. HOLD THE SUPPORT BRACE UP TO THE BOARD, AND USING A 3/8" DRILL BIT, DRILL A HOLE IN THE BOARD WHERE THE SUPPORT BRACE MEETS THE BOARD.
15. INSTALL A 5/16"-18, BOLT (ITEM #17), 5/16" WASHER (ITEM #18), AND A 5/16"-18 HEX NUT (ITEM #19) TO SECURE THE SUPPORT BRACE TO THE BOARD.
16. TIGHTEN THE REAR BODY MOUNTING BOLT TO 65 LB. FT.

ATTACHING THE BOARDS TO THE MOUNTING BRACKETS.

PLEASE REFER TO THE INSTRUCTION SHEET INCLUDED WITH YOUR GRIP STEP BOARDS TO MOUNT THE STEPS TO THE MOUNTING BRACKETS .

SERVICE PARTS LIST

ITEM	PART NO.	QTY	DESCRIPTION
1	552522	1	MOUNTING BRACKET – LH, FRONT
2	552531	1	MOUNTING BRACKET – LH, REAR
3	552523	1	MOUNTING BRACKET – RH, FRONT
4	552524	1	MOUNTING BRACKET – RH, 2 ND
5	552521	1	MOUNTING BRACKET – RH, 3 RD
6	552528	1	MOUNTING BRACKET – RH, REAR
7	107211	3	SCREW – HWHC, 3/8-16 X 1-3/4, BLACK, ZP
8	109474	2	SCREW – HHC, 3/8-16 X 5 , FT, ZP
9	100181	7	NUT – SER FLG, 3/8-16 X 1-3/4, BLACK, ZP
10	109258	5	U-NUT, MULTI THREAD, 3/8-16 X 1.09, BLACK
11	100147	1	WASHER – FLAT, 5/8, ZP
12	106962	2	WASHER – FLAT, 3/8, SST, BZP
13	102592	2	WASHER – RUBBER, .354 X 1.00 X .748
14	552109	1	WASHER – SPACER, 1/8 X 1-3/4
15	103325	3	CAP – PLUG, .364 X .625, VINYL, BLACK
16	552549	1	BRACE – SUPPORT
17	104281	2	SCREW – CAP, 5/16" – 18 X .875
18	100034	2	WASHER – FLAT, 5/16", ZP
19	100178	2	NUT- SERR FLANGE, 5/16"
20	415110	1	GRIP STEP BOARDS – 36" AND 114" (MOD 415110)



SERVICE PARTS LIST

MODEL NO. - 401347

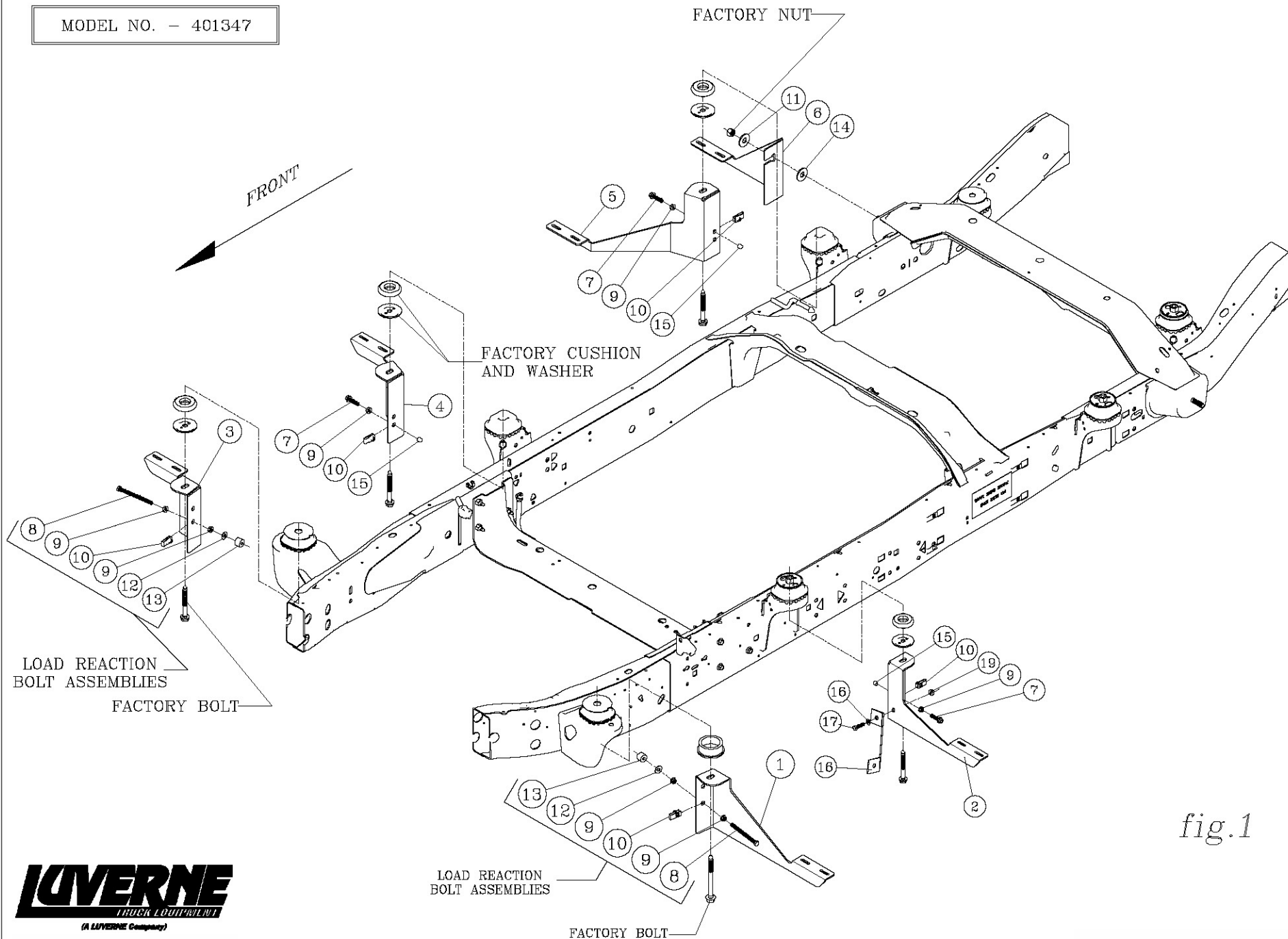


fig.1

