



INSTALLATION INSTRUCTIONS FOR MOUNTING

LUVERNE GRILL GUARDS WITH THE FOLLOWING MODEL NOS.:
331610/331443 & 341610/341443 ON:

2014 AND NEWER 1500 CHEVROLET SILVERADO
2014 AND NEWER 1500 GMC SIERRA

1. READ THE INSTRUCTIONS COMPLETELY AND CHECK TO MAKE SURE THAT ALL OF THE REQUIRED PARTS ARE ON HAND BEFORE STARTING THE INSTALLATION. THE CARTON SHOULD CONTAIN:
 - (1) OUTER RING PACKAGE
 - (1) OUTER RING ASSEMBLY
 - (1) UPRIGHT/BRACKET PACKAGE:
 - (2) ASSEMBLED UPRIGHTS,
 - (1) MOUNTING BRACKET, RH
 - (1) MOUNTING BRACKET, LH
 - (2) UPRIGHT COVERS (**CHROME GUARDS ONLY**)
 - (1) FASTENER PACKAGE
 - (1) CUSTOMER SERVICE PACKAGE

REFER TO FIGS. 1 & 2 FOR GUARD ASSEMBLY INSTRUCTIONS 2-10

2. LOOSEN AND REMOVE THE REAR BOLTS AND NUT FROM THE LONG BOLTS AT THE FRONT OF THE FRAME THAT HOLD THE TOW HOOKS TO THE END OF THE FRAME. AFTER THE NUTS ON THE LONG BOLTS AT THE FRONT ARE REMOVED IT WILL BE NECESSARY TO CUT THE HEADS FROM THE BOLTS, AT LEAST ON THE DRIVERS SIDE OF THE CHEVROLETS AND THE 2016 GMC'S. BOTH HEADS WILL HAVE TO BE CUT OFF ON THE 14 & 15 GMC IN ORDER TO GET THE BOLTS OUT OF THE FRAME. REMOVE THE TOW HOOKS AND THE FOAM COVERS ATTACHED TO THEM. ON THE 2016 CHEVROLET AND GMC IT WILL BE NECESSARY TO TRIM OFF THE TWO TABS STICKING UP AND DOWN IN THE PLASTIC VALANCE PANEL TO ALLOW THE BRACKET CLEARANCE TO INSERT INTO THE FRAME.
3. INSTALL THE LEFT HAND MOUNTING BRACKET (ITEM #4) ON TO THE END OF THE FRAME. (**NOTE: BEFORE INSTALLING THE BRACKETS ON A 2014-2015 GMC SIERRA, TRIM OUT THE INNER ENDS OF THE TOW HOOK SHROUDS WITH A UTILITY KNIFE TO ALLOW THE INSERTION OF THE BRACKETS.**) FASTEN WITH THE M12 X 1.75 X 30mm HEX BOLTS (ITEM #9) AND M12 X 1.75 HEX FLANGE NUTS (ITEM #14). LEAVE LOOSE AT THIS TIME.
4. REPEAT STEP #3 ON THE LEFT SIDE.
5. INSTALL AN UPRIGHT (ITEM #2 OR #3) (**NOTE: THE CHANNELS SHOULD BREAK TO THE OUTSIDE.**) ON THE LEFT HAND MOUNTING BRACKET (ITEM #4) (**NOTE: USE THE BOTTOM HOLES IN THE MOUNTING BRACKETS FOR CHEVROLET SILVERADO AND THE TOP HOLES FOR THE GMC SIERRA.**) AND FASTEN WITH THE 1/2"-13 X 3" CARRIAGE BOLTS (ITEM #8), 1/2" SAE FLAT WASHERS (ITEM #16), AND THE 1/2"-13 CAP NUTS (ITEM #12). LEAVE LOOSE AT THIS TIME. YOU WILL NEED THE CLEARANCE TO GET THE RING INSTALLED.
6. REPEAT STEP #5 ON THE RIGHT SIDE.

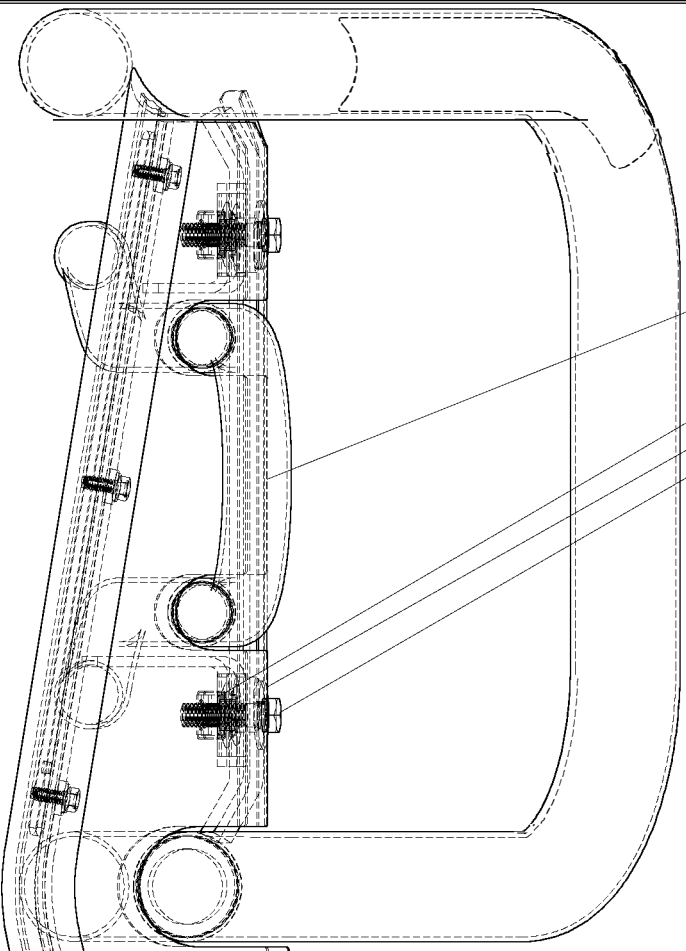


7. LOWER THE CENTER RING ASSEMBLY (ITEM #1) DOWN BEHIND THE UPRIGHTS AND INSTALL IN THE SLOTS OF THE UPRIGHTS AS SHOWN IN FIG. 1 & 2. MAKING SURE THE UPRIGHTS ARE CENTERED AND PARALLEL WITH THE BARS IN THE RING, FASTEN WITH THE UPRIGHT COVERS (ITEM #15) (**CHROME GUARDS ONLY**), 7/16"-14 X 1-1/4" HEX BOLTS (ITEM #10) AND 7/16" FLAT WASHERS (ITEM #17) INTO THE 7/16"-14 CAPTIVE NUTS (ITEM #13) IN THE UPRIGHT MOUNTING PLATES. TIGHTEN TO 54 FOOT-POUNDS OF TORQUE.
8. CHECK THAT THE GRILL GUARD IS CENTERED ON THE GRILLE.
9. TIGHTEN THE 1/2" CAP NUTS (ITEM #12) ON THE CARRIAGE BOLTS FASTENING THE MOUNTING BRACKETS TO UPRIGHTS TO 75 FOOT-POUNDS OF TORQUE.
10. TIGHTEN THE M12 BOLTS (ITEM #9) THAT FASTEN THE BOTTOM MOUNTING BRACKETS TO THE FRAME TO 54 FOOT-POUNDS OF TORQUE. (**NOTE: APPLY PRESSURE ON THE TOP OF THE GUARD TOWARD THE VEHICLE WHEN TIGHTENING THE FRAME BOLTS.**)

SERVICE PARTS LIST

ITEM	PART NO.	QTY	DESCRIPTION
1	202704	1	RING WELDMENT – CHROME
1	202709	1	RING WELDMENT – BLACK
2	202776	2	UPRIGHT WELDMENT – CHROME
3	202785	2	UPRIGHT WELDMENT –BLACK
4	202880	1	MOUNTING BRACKET – LH
5	202881	1	MOUNTING BRACKET – RH
6	201122	4	TAPPING BAR – 13.000"
7	202383	2	RUBBER EXTRUSION – MACHINED, 330710
8	107231	4	ROUND HEAD BOLT – 1/2"-13 X 3", SST
9	103439	6	HEX HEAD SCREW- M12 X 1.75 X 30mm, ZP
10	105939	4	HEX HEAD SCREW-7/16"-14 X 1-1/4", ZP
11	103715	12	SELF TAPPING SCREW – 1/4"-20 X 5/8"
12	104994	4	HEX CAP NUT – 1/2"-13, SST
13	100083	4	NUT CAPTIVE – 7/16", BLK
14	100794	6	HEX FLANGE NUT – M12 X 1.75 , BZP
15	202748	2	UPRIGHT COVER (CHROME GUARDS ONLY)
16	104995	4	FLAT WASHER – SAE, 1/2", SST
17	103286	4	FLAT WASHER – 7/16", SST
18	106901	1	DECAL – MATTE BLACK, RH, 330460
19	106902	1	DECAL – MATTE BLACK, LH, 330460
20	100252	1	DECAL – LOGO, 1 X 3



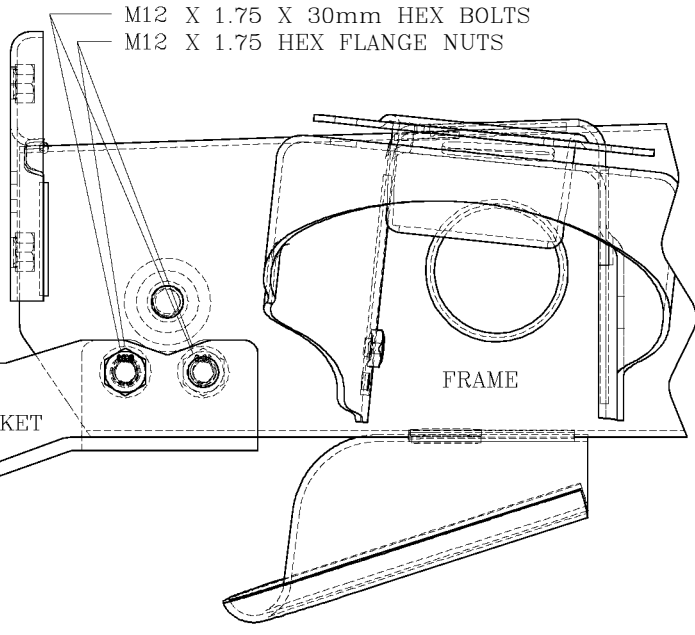


- UPRIGHT COVER (CHROME GUARDS ONLY)
- 7/16" CAPTIVE NUT
- 7/16" FLAT WASHER, SST
- 7/16-14 X 1-1/4" HEX BOLT, SST

fig.1

- 1/2"-13 X 3" CARR BOLT, SST
- 1/2" SAE FLAT WASHER, SST
- 1/2"-13 CAP NUT, SST

- M12 X 1.75 X 30mm HEX BOLTS
- M12 X 1.75 HEX FLANGE NUTS



THESE HOLES FOR GMC

THESE HOLES FOR CHEVROLET

MOUNTING BRACKET

FRAME

- 1/2"-13 X 3" CARR BOLT, SST
- 1/2" SAE FLAT WASHER, SST
- 1/2"-13 CAP NUT, SST



SERVICE PARTS LIST

MODEL NO. - 331610/331443

MODEL NO. - 341610/341443

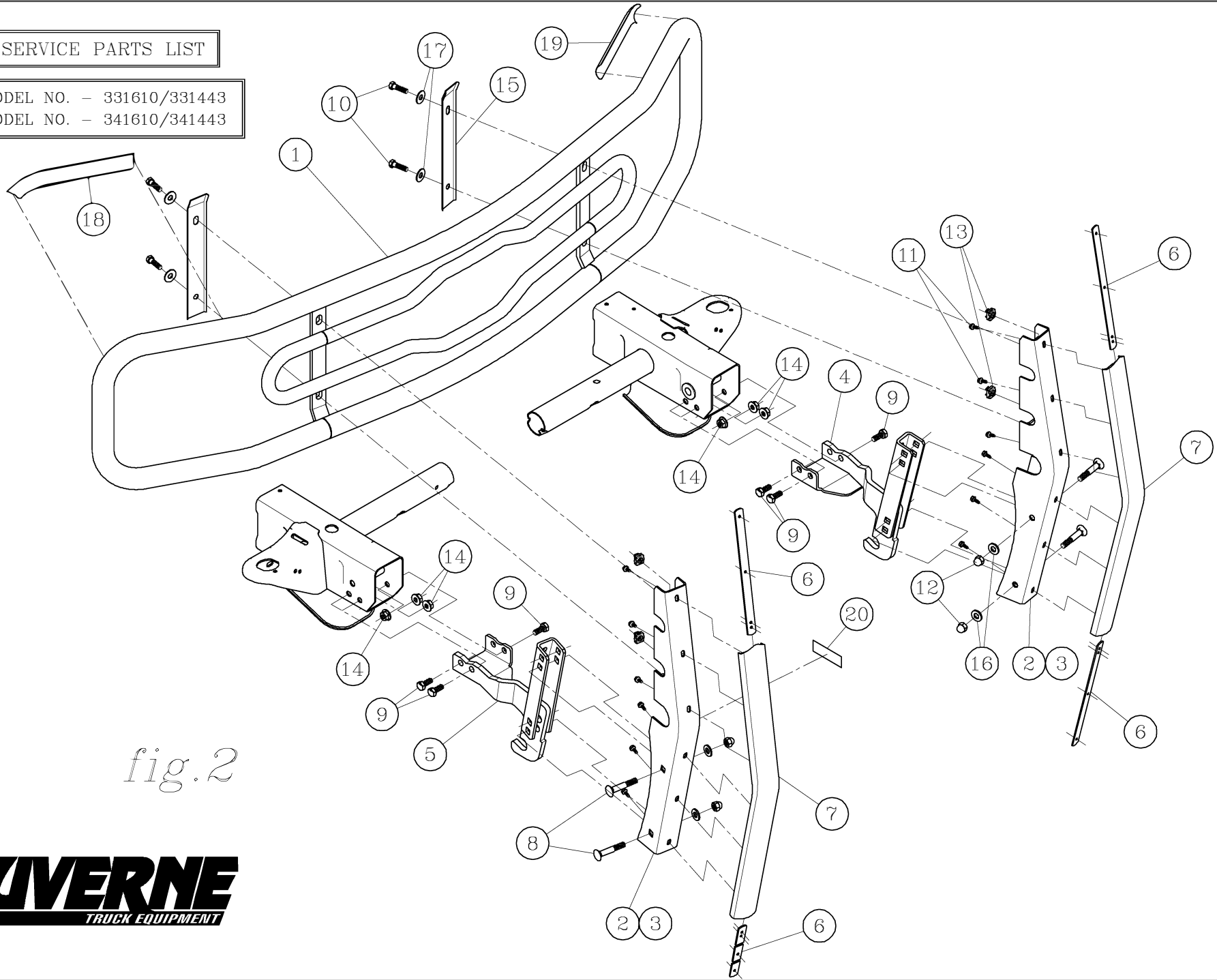


fig. 2

