



INSTALLATION INSTRUCTIONS FOR MOUNTING

LUVERNE GRILL GUARDS WITH THE FOLLOWING MODEL NOS.:
330710/330713 & 340710/340713 ON:

2007 AND NEWER 1500 CHEVROLET SILVERADO
2007 AND NEWER 1500 GMC SIERRA

1. READ THE INSTRUCTIONS COMPLETELY AND CHECK TO MAKE SURE THAT ALL OF THE REQUIRED PARTS ARE ON HAND BEFORE STARTING THE INSTALLATION. THE CARTON SHOULD CONTAIN:

- (1) OUTER RING PACKAGE
 - (1) OUTER RING ASSEMBLY
- (1) UPRIGHT/BRACKET PACKAGE:
 - (1) ASSEMBLED UPRIGHT, RH
 - (1) ASSEMBLED UPRIGHT, LH
 - (1) MOUNTING BRACKET, RH
 - (1) MOUNTING BRACKET, LH
 - (2) UPRIGHT COVERS (CHROME GUARDS ONLY)
 - (1) FASTENER PACKAGE
 - (1) CUSTOMER SERVICE PACKAGE

REFER TO FIGS. 1 & 2 FOR GUARD ASSEMBLY INSTRUCTIONS 2-10

2. LOOSEN AND REMOVE THE TWO BOLTS AND NUT THAT HOLD THE TOW HOOKS TO THE END OF THE FRAME. REMOVE THE TOW HOOKS.
3. INSTALL THE RIGHT HAND MOUNTING BRACKET (ITEM #4) INTO THE END OF THE FRAME. (NOTE: WHEN INSTALLING THE BRACKET, BEND THE PLASTIC TAB IN THE AIR DAM TO THE OUTSIDE WHILE INSERTING THE BRACKET OR TRIM OFF THE TOP AND BOTTOM TABS EVEN WITH THE OUTSIDE HOLES, WITH A UTILITY KNIFE.) FASTEN WITH THE ½-13 X 1-1/2 BOLT (ITEM #10), ½-13 X 4-1/2 HEX BOLT (ITEM #9), 1/2" LOCK WASHER (ITEM #6) AND THE ½-13 SERRATED FLANGE NUT (ITEM #13). LEAVE LOOSE AT THIS TIME.
4. REPEAT STEP #3 ON THE LEFT SIDE.
5. INSTALL THE RIGHT HAND UPRIGHT (ITEM #2) (NOTE: THE CHANNELS SHOULD BREAK TO OUTSIDE.) ON THE RIGHT HAND MOUNTING BRACKET (ITEM #4) (NOTE: USE THE BOTTOM HOLES IN THE MOUNTING BRACKETS FOR CHEVROLET SILVERADO AND THE TOP HOLES FOR THE GMC SIERRA.) AND FASTEN WITH THE ½-13 X 3 CARRIAGE BOLTS (ITEM #8), 1/2" SAE FLAT WASHERS (ITEM #18), AND THE ½-13 CAP NUTS (ITEM #14). INSTALL ONLY THE LOWER BOLT AND ALLOW THE UPRIGHT TO TILT OUT. LEAVE LOOSE AT THIS TIME. YOU WILL NEED THE CLEARANCE TO GET THE RING INSTALLED.
6. REPEAT STEP #5 ON THE LEFT SIDE.

LUVERNE
TRUCK EQUIPMENT

7. LOWER THE CENTER RING ASSEMBLY (ITEM #1) DOWN BEHIND THE UPRIGHTS AND INSTALL IN THE SLOTS OF THE UPRIGHTS AS SHOWN IN FIG. 1 & 2. IT WILL BE NECESSARY TO START TILTING THE UPRIGHTS TOWARD THE VEHICLE IN ORDER TO GET THE BOLTS INTO THE NUTS IN THE UPRIGHTS. MAKING SURE THE UPRIGHTS ARE CENTERED AND PARALLEL WITH THE BARS IN THE RING, FASTEN WITH THE UPRIGHT COVERS (ITEM #17) (CHROME GUARDS ONLY), 7/16-14 X 1-1/2 HEX BOLTS (ITEM #11) AND 7/16 FLAT WASHERS (ITEM #19) INTO THE 7/16-14 CAPTIVE NUTS (ITEM #15) IN THE UPRIGHT MOUNTING PLATES. TIGHTEN TO 54 FOOT-POUNDS OF TORQUE.
8. CHECK THAT THE GRILL GUARD IS CENTERED ON THE GRILLE AND THE REAR OF THE UPRIGHT CUTOUT IS APPROXIMATELY 1/2-3/4" AWAY FROM THE FACE OF THE BUMPER.
9. TIGHTEN THE 1/2" NUTS ON THE CARRIAGE BOLTS FASTENING THE MOUNTING BRACKETS TO UPRIGHTS TO 75 FOOT-POUNDS OF TORQUE.
10. TIGHTEN THE 1/2" BOLTS THAT FASTEN THE BOTTOM MOUNTING BRACKETS TO THE FRAME TO 75 FOOT-POUNDS OF TORQUE. (NOTE: APPLY PRESSURE ON THE TOP OF THE GUARD TOWARD THE VEHICLE WHEN TIGHTENING THE FRAME BOLTS.)

SERVICE PARTS LIST

ITEM	PART NO.	QTY	DESCRIPTION
1	202345	1	RING WELDMENT - CHROME
1	202420	1	RING WELDMENT - BLACK
2	202315	1	UPRIGHT WELDMENT - CHROME, RH
2	202421	1	UPRIGHT WELDMENT - BLACK, RH
3	202316	1	UPRIGHT WELDMENT - CHROME, LH
3	202422	1	UPRIGHT WELDMENT - BLACK, LH
4	202321	1	MOUNTING BRACKET - RH
5	202322	1	MOUNTING BRACKET - LH
6	201122	4	TAPPING BAR - 13.000"
7	202327	2	RUBBER EXTRUSION - MACHINED, 330710
8	107231	4	ROUND HEAD BOLT - 1/2-13 X 3, SST
9	100107	2	HEX HEAD SCREW - 1/2-13 X 4-1/2, ZP
10	100088	2	HEX HEAD SCREW - 1/2-13 x 1-1/2, ZP
11	105939	4	HEX HEAD SCREW - 7/16-14 x 1-1/4, ZP
12	103715	12	SELF TAPPING SCREW - 1/4-20 X 5/8
13	100123	2	SERRATED FLANGE NUT - 1/2-13
14	104994	4	HEX CAP NUT - 1/2-13, SST
15	100083	4	NUT CAPTIVE - 7/16, BLK
16	100121	2	LOCK WASHER - 1/2, ZP
17	202544	2	UPRIGHT COVER (CHROME GUARDS ONLY)
18	104995	4	FLAT WASHER - SAE, 1/2, SST
19	103286	4	FLAT WASHER - 7/16, SST
20	106901	1	DECAL - MATTE BLACK, RH, 330460
21	106902	1	DECAL - MATTE BLACK, LH, 330460
22	100252	1	DECAL - LOGO, 1 X 3



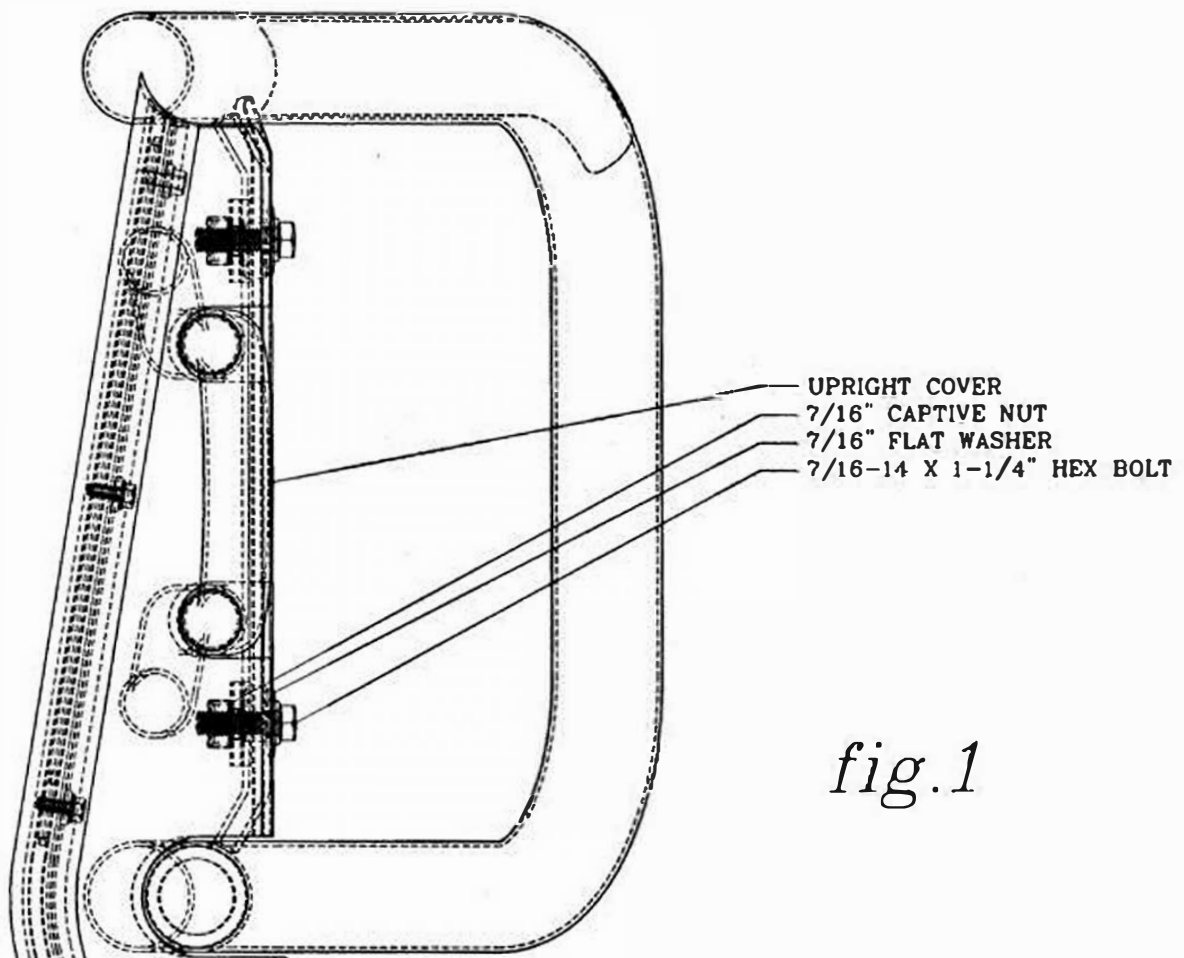
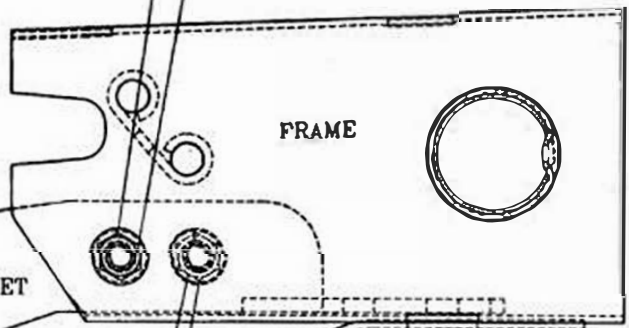


fig.1

- 1/2"-13 X 3" CARR BOLT, SST
- 1/2" SAE FLAT WASHER, SST
- 1/2"-13 CAP NUT, SST

- 1/2"-13 SERRATED FLANGE NUT
- 1/2"-13 X 4-1/2" HEX BOLT



MOUNTING BRACKET

- 1/2" LOCK WASHER
- 1/2"-13 X 1-1/2" HEX BOLT

THESE HOLES FOR GMC
 THESE HOLES FOR CHEVROLET

- 1/2"-13 X 3" CARR BOLT, SST
- 1/2" SAE FLAT WASHER, SST
- 1/2"-13 CAP NUT, SST
- REVISED 31MAR11 LVL C
- REVISED 17SEP07 LVL B
- REVISED 13APR07 LVL A



SERVICE PARTS LIST

MODEL NO. - 330710/330713
MODEL NO. - 340710/340713

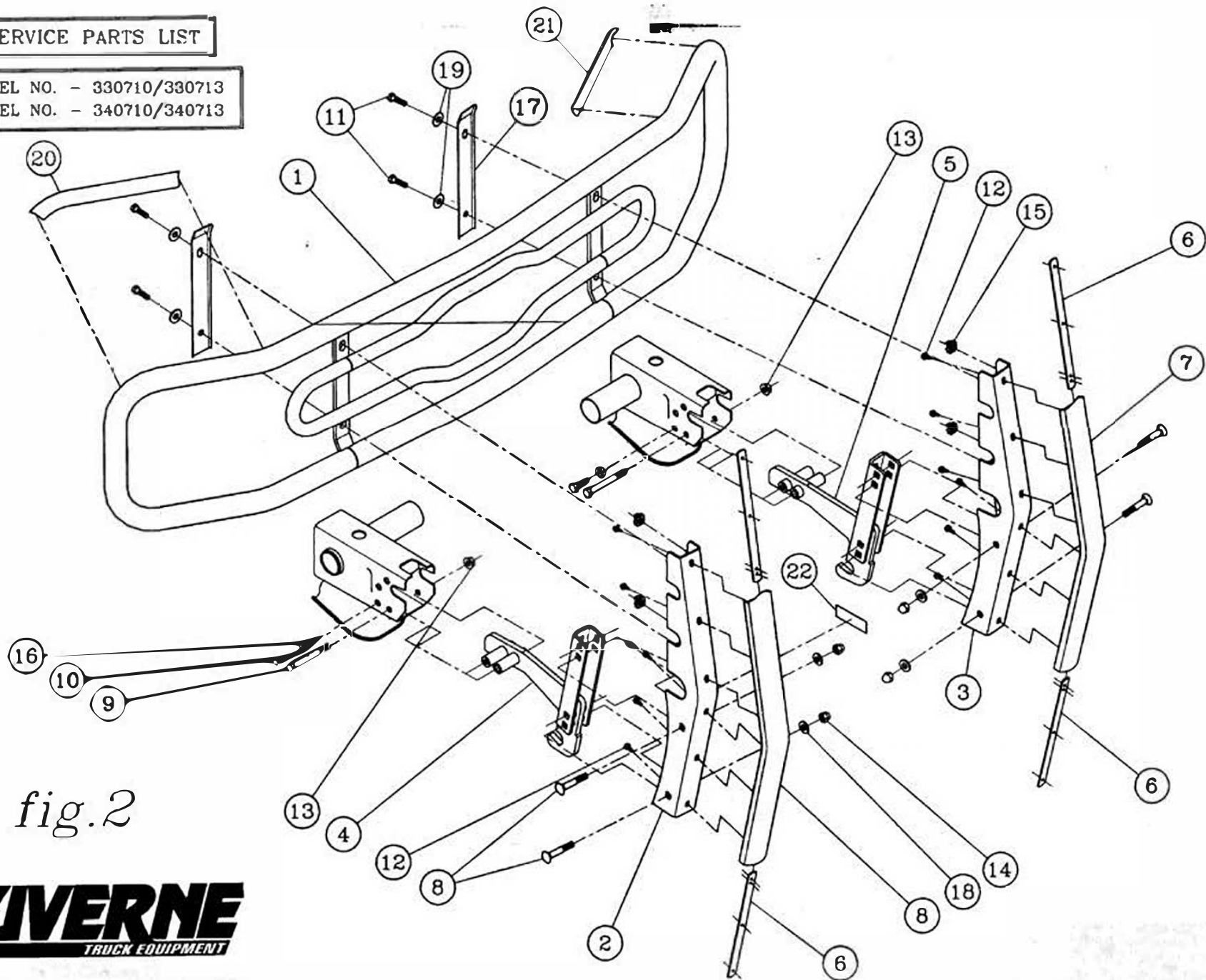


fig.2

LIVERNE
TRUCK EQUIPMENT