



INSTALLATION INSTRUCTIONS FOR MOUNTING

LUVERNE GRILLE GUARD WITH THE FOLLOWING MODEL NO.:
320920/320923 ON:

2009 AND NEWER F-150 4WD & 2WD SERIES TRUCKS

1. READ THE INSTRUCTIONS COMPLETELY AND CHECK TO MAKE SURE THAT ALL OF THE REQUIRED PARTS ARE ON HAND BEFORE STARTING THE INSTALLATION. THE CARTON SHOULD CONTAIN:
 - (1) OUTER RING PACKAGE
 - (1) RING ASSEMBLY
 - (1) BRACKET PACKAGE
 - (1) MOUNTING BRACKET, RH
 - (1) MOUNTING BRACKET, LH
 - (1) HARDWARE PACKAGE
 - (1) CUSTOMER SERVICE PACKAGE

REFER TO SHEETS #1, #2, & #3 FOR GUARD ASSEMBLY & INSTALLATION INSTRUCTIONS 2-8

2. REMOVE THE BOLTS AND TOW HOOKS FROM THE END OF THE FRAME.
3. INSERT THE INNER FRAME MOUNTING BRACKET ASSEMBLIES (ITEMS #4 & #8) INTO THE END OF THE FRAME. ON TWO WHEEL DRIVES OR VEHICLES WITHOUT TOW HOOKS IT MAY BE NECESSARY TO CUT A HOLE IN THE LOWER AIR DAM FOR THE MOUNTING BRACKETS TO COME THROUGH.
4. INSTALL THE RIGHT HAND AND LEFT HAND MOUNTING BRACKETS (ITEM #2 & #3) USING TWO 1/2"-13 X 2" HEX HEAD FLANGE BOLTS (ITEM #5) AND TWO 1/2" FLAT WASHERS (ITEM #9), IN EACH BRACKET AS SHOWN IN *fig. 1*. HAND TIGHTEN ONLY AT THIS TIME.
6. INSTALL THE RING (ITEM #1) BY INSERTING IT BETWEEN THE MOUNTING BRACKETS (TAKING CARE NOT TO SCRAPE THE ENDS OF THE RING AGAINST THE SIDE OF THE VEHICLE.) AND FASTEN WITH 1/2"-13 X 1-1/2" CARRIAGE BOLTS (ITEM #6), 1/2" SAE FLAT WASHERS (ITEM #10), 1/2" LOCK WASHERS (ITEM #11) AND 1/2"-13 ACORN NUTS (ITEM #7). LEAVE LOOSE AT THIS TIME.
7. CHECK THAT THE GRILLE GUARD IS CENTERED AND VERTICAL ON THE BUMPER AND THE UPRIGHTS ARE STRAIGHT UP AND DOWN. THEN TIGHTEN THE FOUR 1/2"-13 ACORN NUTS (ITEM #7) SECURING THE RING TO THE UPRIGHTS. TIGHTEN TO 65 FOOT-POUNDS OF TORQUE.
8. TIGHTEN THE 1/2"-13 X 2" HEX HEAD FLANGE BOLTS (ITEM #5) THAT SECURE THE MOUNTING BRACKETS TO THE FRAME. TIGHTEN TO 70 FOOT-POUNDS OF TORQUE.



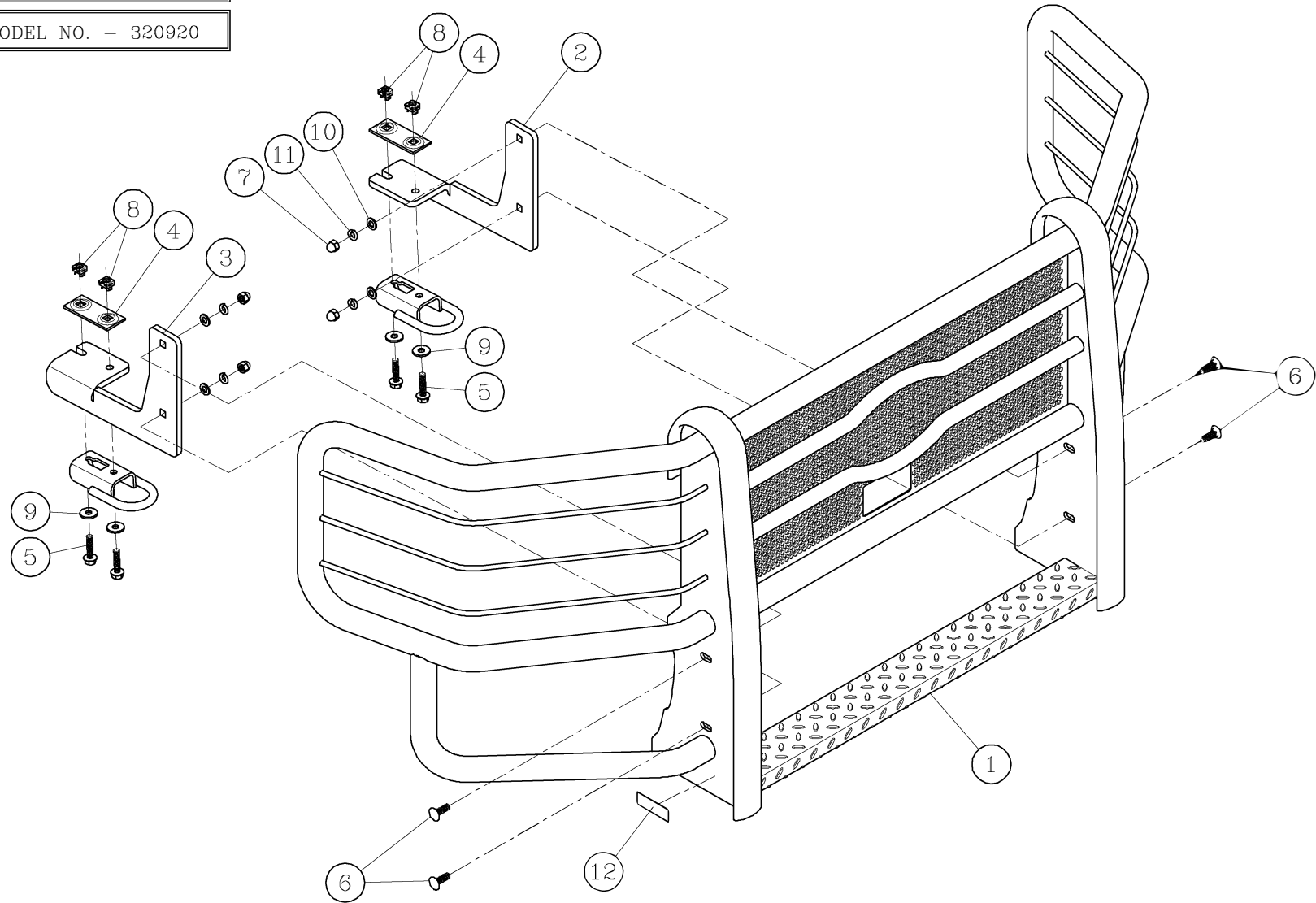
SERVICE PARTS LIST

ITEM	PART NO.	QTY	DESCRIPTION
1	320923	1	RING WELDMENT – BLACK
2	202616	1	MOUNTING BRACKET - LH
3	202617	1	MOUNTING BRACKET - RH
4	201013	2	INNER FRAME MOUNTING BRACKET
5	104249	4	HEX HEAD FLANGE SCREW – 1/2”-13 X 2”, ZP
6	104131	4	CARRIAGE BOLT – 1/2”-13 X 1-1/2”, BZP
7	105910	4	HEX ACORN NUT – 1/2”-13, BZP
8	107383	4	CAPTIVE NUT – 1/2”-13
9	100118	4	FLAT WASHER – 1/2”, ZP
10	100940	4	FLAT WASHER – SAE, 1/2”, BZP
11	109511	4	LOCK WASHER – 1/2”, BZP
12	106888	1	DECAL – LOGO,LUVERNE, 3/4” X 3”



SERVICE PARTS LIST

MODEL NO. - 320920



LIVERNE
TRUCK EQUIPMENT

fig.1