



## INSTALLATION INSTRUCTIONS FOR MOUNTING

LUVERNE GRILLE GUARDS WITH THE FOLLOWING MODEL NOS.:  
310713/321610 & 320713/321610 ON:

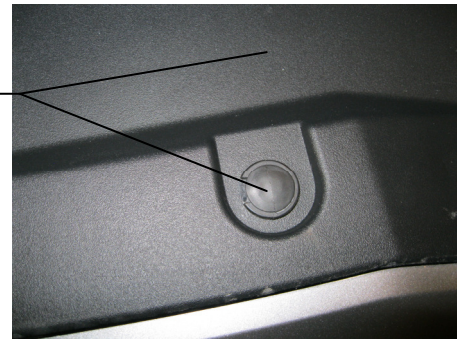
2014 AND NEWER 1500 CHEVROLET SILVERADO PICKUPS

1. READ THE INSTRUCTIONS COMPLETELY AND CHECK TO MAKE SURE THAT ALL OF THE REQUIRED PARTS ARE ON HAND BEFORE STARTING THE INSTALLATION. THE CARTON SHOULD CONTAIN:

- (1) GRILLE GUARD PACKAGE – #310713 or #320713
  - (1) GRILLE GUARD ASSEMBLY
- (1) BRACKET PACKAGE: #321610
  - (1) MOUNTING BRACKET, LH
  - (1) MOUNTING BRACKET, RH
  - (1) TOP MOUNTING BRACKET, LH
  - (1) TOP MOUNTING BRACKET, RH
  - (1) FASTENER PACKAGE
  - (1) CUSTOMER SERVICE PACKAGE

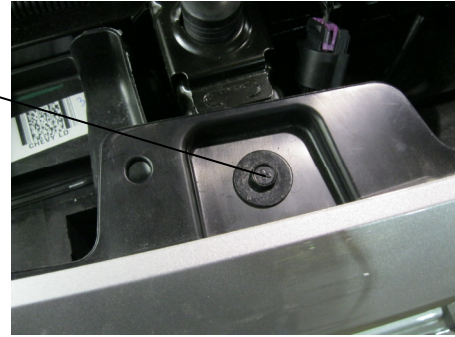
### REFER TO FIG. 1 FOR GUARD ASSEMBLY INSTRUCTIONS 2-15

2. LOOSEN AND REMOVE THE REAR BOLTS AND NUT FROM THE LONG BOLTS AT THE FRONT OF THE FRAME THAT HOLD THE TOW HOOKS TO THE END OF THE FRAME. AFTER THE NUTS ON THE LONG BOLTS AT THE FRONT ARE REMOVED IT WILL BE NECESSARY TO CUT THE HEADS FROM THE BOLTS, AT LEAST ON THE DRIVERS SIDE OF THE CHEVROLET. REMOVE THE TOW HOOKS AND THE FOAM COVERS ATTACHED TO THEM. ON THE 2016 CHEVROLET IT WILL BE NECESSARY TO TRIM OFF THE TWO TABS STICKING UP AND DOWN IN THE PLASTIC VALANCE PANEL TO ALLOW THE BRACKET CLEARANCE TO INSERT INTO THE FRAME.
3. INSTALL THE LEFT HAND MOUNTING BRACKET (ITEM #2) ON TO THE END OF THE FRAME. FASTEN WITH THE M12 X 1.75 X 30mm HEX BOLTS (ITEM #6) AND M12 X 1.75 HEX FLANGE NUTS (ITEM #9). LEAVE LOOSE AT THIS TIME.
4. REPEAT STEP #3 ON THE RIGHT SIDE.
5. OPEN THE HOOD AND POP OUT THE TWELVE PLASTIC RIVETS AND REMOVE THE PLASTIC SHROUD COVERING THE FAN AND RADIATOR.



**LUVERNE**  
TRUCK EQUIPMENT

6. UNSCREW THE FOUR SCREWS ON THE TOP OF THE GRILLE, SECURING THE GRILLE TO THE VEHICLE.

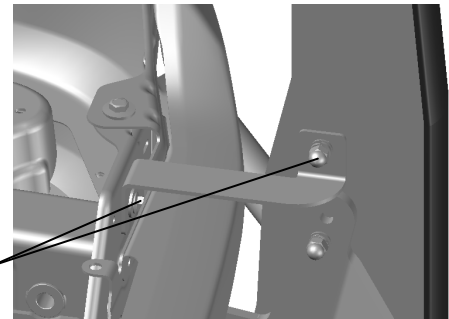


7. PULL UP ON THE FOUR TABS AND PULL OUT ON THE TOP OF THE GRILLE AND REMOVE IT FROM THE VEHICLE. THERE ARE TEN SNAP IN CLIPS HOLDING THE GRILLE.
8. INSTALL THE GRILLE GUARD WELDMENT ONTO THE MOUNTING BRACKETS (ITEM #2 & #3) WITH THE BRACKET TO THE INSIDE OF THE UPRIGHTS. (**NOTE: USE THE BOTTOM HOLES IN THE MOUNTING BRACKETS FOR CHEVROLET SILVERADO.**) FASTEN WITH THE 1/2"-13 X 1-1/2" CARRIAGE BOLTS (ITEM #7), 1/2" SAE WASHERS (ITEM #11), 1/2" LOCK WASHERS (ITEM #12), AND THE 1/2"-13 ACORN NUTS (ITEM #10). LEAVE LOOSE AT THIS TIME.
9. TIGHTEN THE BOLTS ATTACHING THE BRACKETS TO THE FRAME.
10. CHECK THAT THE GRILL GUARD IS CENTERED ON THE GRILLE AND THE REAR OF THE UPRIGHT CUTOUT IS APPROXIMATELY 1/2"-3/4" AWAY FROM THE FACE OF THE BUMPER.
11. TIGHTEN THE 1/2"-13 CAP NUTS (ITEM #10) ON THE 1/2"-13 X 1-1/2" CARRIAGE BOLTS (ITEM #7), FASTENING THE MOUNTING BRACKETS TO THE GRILLE GUARD.

12. STANDING AT THE FRONT OF THE VEHICLE, LOOKING DOWN, AT ONE SIDE FIND THE UPPER BOLT THAT FASTENS THE BUMPER TO THE FRAME BRACKET AND LOOSTEN IT. DO ONE SIDE AT TIME.



13. PLACE THE TOP MOUNTING BRACKET (ITEM #4 OR #5) IN POSITION ON THE BOLT AND SNUG UP. IF THE GUARD HAS THE OBOURND HOLES IN IT FOR THE TOP BRACKETS, FASTEN THE ENDS OF THE BRACKETS TO THE UPRIGHT WITH THE 1/2"-13 X 1-1/4" CARRAGE BOLT (ITEM #8), 1/2"-13 ACORN NUT (ITEM #10), TWO 1/2" FLAT WASHERS (ITEM #11) AND 1/2" SAE LOCK WASHER (ITEM #12). TIGHTEN ALL OF THE FASTENERS. REPEAT THE ABOVE ON THE OTHER SIDE.



14. IF THERE ARE NO HOLES IN THE UPRIGHTS, CLAMP THE ENDS OF THE BRACKET TO THE UPRIGHT AND USING THE BRACKET AS A GUIDE, DRILL A 9/16" HOLE THROUGH THE UPRIGHTS. FASTEN AS DESCRIBED ABOVE.
15. REINSTALL THE GRILLE AND THE FAN RADIATOR SHROUD.

**SERVICE PARTS LIST**

ITEM	PART NO.	QTY	DESCRIPTION
1	310713	1	GRILLE GUARD WELDMENT - SST
1	320713	1	GRILLE GUARD WELDMENT - BLACK
2	202888	1	MOUNTING BRACKET - LH
3	202889	1	MOUNTING BRACKET - RH
4	202896	1	TOP MOUNTING BRACKET - LH
5	202897	1	TOP MOUNTING BRACKET - RH
6	103439	6	HEX HEAD SCREW- M12 X 1.75 X 30mm, ZP
7	104131	4	CARRAGE BOLT - 1/2"-13 X 1-1/2", BLK ZP
8	104131	2	CARRAGE BOLT - 1/2"-13 X 1-1/4", BLK ZP
9	100794	6	SERRATED FLAGE NUT - M12 X 1.75, BLK ZP
10	109510	6	ACORN NUT - 1/2"-13, BLACK ZP
11	100940	12	FLAT WASHER - 1/2", SAE, BLACK ZP
12	109511	6	LOCK WASHER - 1/2", BLACK ZP
13	106888	1	DECAL - LOGO, LUVERNE, 3/4" X 3"



SERVICE PARTS LIST

MODEL NO. - 310713/321610

MODEL NO. - 320713/321610

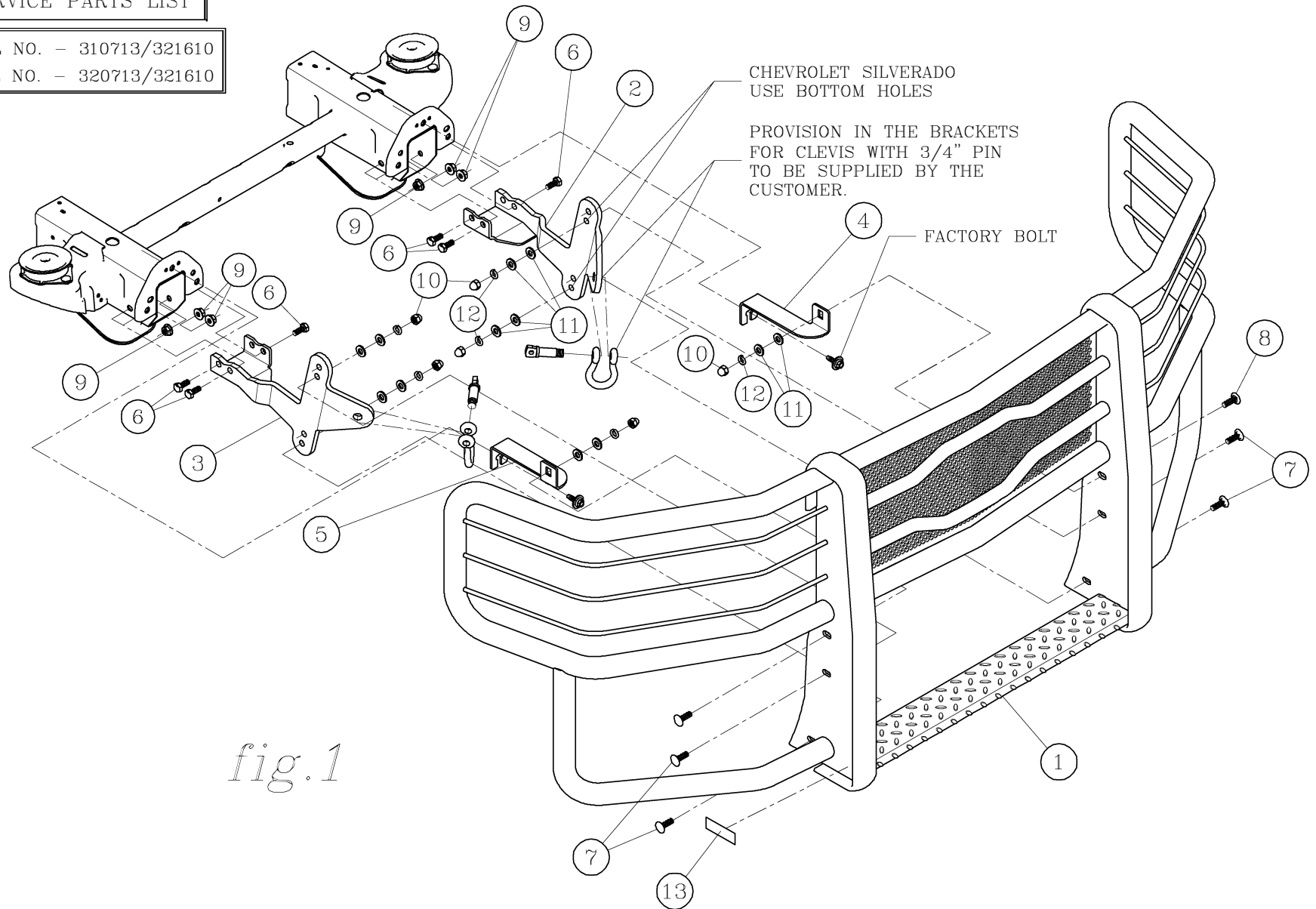


fig.1

