



INSTALLATION INSTRUCTIONS FOR MOUNTING

LUVERNE GRILLE GUARDS WITH THE FOLLOWING MODEL NOS.:
310713/321542 & 320713/321542 ON:

2015 AND NEWER 2500HD & 3500HD GMC SIERRA PICKUPS

1. READ THE INSTRUCTIONS COMPLETELY AND CHECK TO MAKE SURE THAT ALL OF THE REQUIRED PARTS ARE ON HAND BEFORE STARTING THE INSTALLATION. THE CARTON SHOULD CONTAIN:

- (1) GRILLE GUARD PACKAGE
 - (1) GRILLE GUARD ASSEMBLY
- (1) UPRIGHT/BRACKET PACKAGE:
 - (1) MOUNTING BRACKET, LH
 - (1) MOUNTING BRACKET, RH
 - (1) TOP OUTSIDE MOUNTING BRACKET, LH
 - (1) TOP OUTSIDE MOUNTING BRACKET, RH
 - (1) FASTENER PACKAGE
 - (1) CUSTOMER SERVICE PACKAGE

REFER TO FIG. 1 FOR GUARD MOUNTING INSTRUCTIONS 2-15

2. OPEN THE HOOD AND POP OUT THE TWELVE PLASTIC RIVETS AND REMOVE THE PLASTIC SHROUD COVERING THE FAN AND RADIATOR.

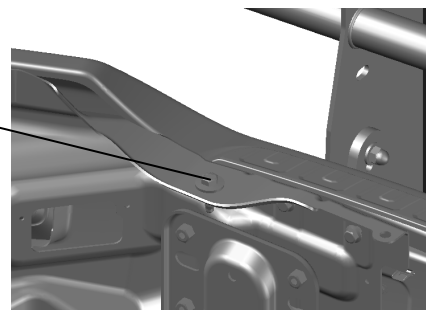


3. UNSCREW THE FOUR SCREWS ON THE TOP OF THE GRILLE, SECURING THE GRILLE TO THE VEHICLE.

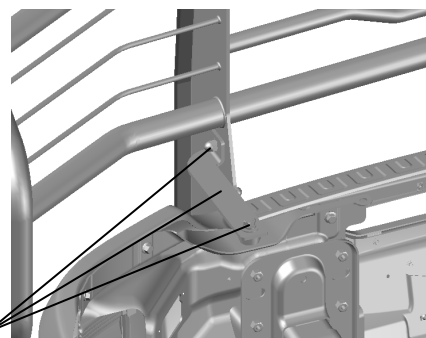


LUVERNE
TRUCK EQUIPMENT

4. PULL UP ON THE FOUR TABS AND PULL OUT ON THE TOP OF THE GRILLE AND REMOVE IT FROM THE VEHICLE. THERE ARE TEN SNAP IN CLIPS HOLDING THE GRILLE.
5. LOOSEN AND REMOVE THE TWO BOLTS AND NUT THAT HOLD THE TOW HOOKS TO THE END OF THE FRAME. REMOVE THE TOW HOOKS.
6. INSTALL THE LEFT HAND MOUNTING BRACKET (ITEM #2) INTO THE END OF THE FRAME. FASTEN WITH THE 1/2"-13" X 4-1/2" BOLT (ITEM #6), 1/2"-13 X 1-1/2" HEX BOLTS (ITEM #7), 1/2" LOCK WASHERS (ITEM #17), 2.00 X .509 X .179 FLAT WASHER (ITEM #13) AND THE 1/2"-13 SERRATED FLANGE NUT (ITEM #11). LEAVE LOOSE AT THIS TIME.
7. REPEAT STEP #6 ON THE RIGHT SIDE.
8. INSTALL THE GRILLE GUARD WELDMENT (ITEM #1) ONTO THE MOUNTING BRACKETS (ITEM #2 & #3) WITH THE BRACKET TO THE INSIDE OF THE UPRIGHTS AND FASTEN WITH THE 1/2"-13 X 1-1/2" CARRIAGE BOLTS (ITEM #8), 1/2" SAE FLAT WASHERS (ITEM #15), 1/2" LOCK WASHERS (ITEM #17), AND THE 1/2"-13 ACORN NUTS (ITEM #12). LEAVE LOOSE AT THIS TIME. **(NOTE: INSTALL THE GUARD IN THE TOP HOLES OF THE MOUNTING BRACKETS FOR THE 2015 GMC 2500HD/3500.) (USE DOUBLE FLAT WASHERS ON THE CARRAGE BOLTS IF THE ACORN NUTS BOTTOM OUT BEFORE THEY GET TIGHT.)**
9. TIGHTEN THE BOLTS ATTACHING THE BRACKETS TO THE FRAME. TIGHTEN THE BOTTOM TWO BOLTS FIRST THEN TIGHTEN THE CROSS BOLT.
10. CHECK THAT THE GRILL GUARD IS CENTERED ON THE GRILLE AND THE REAR OF THE UPRIGHT CUTOUT IS APPROXIMATELY 1/2"-3/4" AWAY FROM THE FACE OF THE BUMPER.
11. TIGHTEN THE 1/2"-13 ACORN NUTS (ITEM #12) ON THE 1/2"-13 X 1-1/2" CARRIAGE BOLTS (ITEM #8), FASTENING THE MOUNTING BRACKETS TO THE GRILLE GUARD.
12. STANDING AT THE FRONT OF THE VEHICLE, LOOKING DOWN, AT ONE SIDE FIND THE UPPER BOLT THAT FASTENS THE BUMPER TO THE TRUCK AND REMOVE IT. DO ONE SIDE AT TIME.



13. ATTACH THE TOP MOUNTING BRACKET (ITEM #4 OR #5) TO THE BUMPER USING THE M12 X 1.75 X 55mm HEX BOLT (ITEM #10), SPACER (ITEM #19), 1/2" FLAT WASHERS (ITEM #14), 7/16" FLAT WASHERS (ITEM #16) AND 1/2" LOCK WASHER (ITEM #17) AND SNUG UP. IF THE GUARD HAS THE OBOUNDRD HOLES IN IT FOR THE TOP BRACKETS, FASTEN THE ENDS OF THE BRACKETS TO THE UPRIGHT WITH THE 1/2"-13 X 1-1/4" CARRIAGE BOLT (ITEM #9), 1/2"-13 ACORN NUT (ITEM #12), 1/2" SAE FLAT WASHERS (ITEM #15) AND 1/2" LOCK WASHER (ITEM #17). TIGHTEN ALL OF THE FASTENERS. REPEAT THE ABOVE ON THE OTHER SIDE.



14. IF THERE ARE NO HOLES IN THE UPRIGHTS, CLAMP THE ENDS OF THE BRACKET TO THE UPRIGHT AND USING THE BRACKET AS A GUIDE, DRILL A 9/16" HOLE THROUGH THE UPRIGHTS. FASTEN AS DESCRIBED ABOVE.
15. REINSTALL THE GRILLE AND THE FAN AND RADIATOR SHROUD.

SERVICE PARTS LIST

ITEM	PART NO.	QTY	DESCRIPTION
1	310713	1	GRILLE GUARD WELDMENT – STAINLESS STEEL
1	320713	1	GRILLE GUARD WELDMENT – BLACK
2	202653	1	MOUNTING BRACKET – LH
3	202654	1	MOUNTING BRACKET – RH
4	202750	1	MOUNTING BRACKET – OUTER TOP, LH
5	202751	1	MOUNTING BRACKET – OUTER TOP, RH
6	100107	2	HEX HEAD SCREW – 1/2"-13 X 4-1/2", ZP
7	100088	4	HEX HEAD SCREW- 1/2"-13 X 1-1/2", ZP
8	104131	4	CARRAGE BOLT – 1/2"-13 X 1-1/2", BLK ZP
9	109515	2	CARRAGE BOLT – 1/2"-13 X 1-1/4", BLK ZP
10	105107	2	HEX HEAD SCREW - M12 X 1.75 X 55mm, ZP
11	100123	2	SERRATED FLANGE NUT – 1/2"-13, ZP
12	109510	6	ACORN NUT – 1/2"-13, BLK ZP
13	105909	2	FLAT WASHER – 2.00 X .509 X .179, ZP
14	100118	4	FLAT WASHER – 1/2", ZP
15	100940	12	FLAT WASHER – SAE, 1/2", BLK ZP
16	100078	2	FLAT WASHER – 7/16", ZP
17	109511	12	LOCK WASHER – 1/2", BLK ZP
18	107383	4	CAPTIVE NUT- 1/2"-13, BLK
19	107431	2	SPACER – 1.50 X .688 X .50, ZP
20	106888	1	DECAL – LOGO, LUVERNE, 3/4" X 3"



SERVICE PARTS LIST

MODEL NO. - 310713/321542

MODEL NO. - 320713/321542

2015 GMC 2500HD/3500 USE
TOP HOLES.

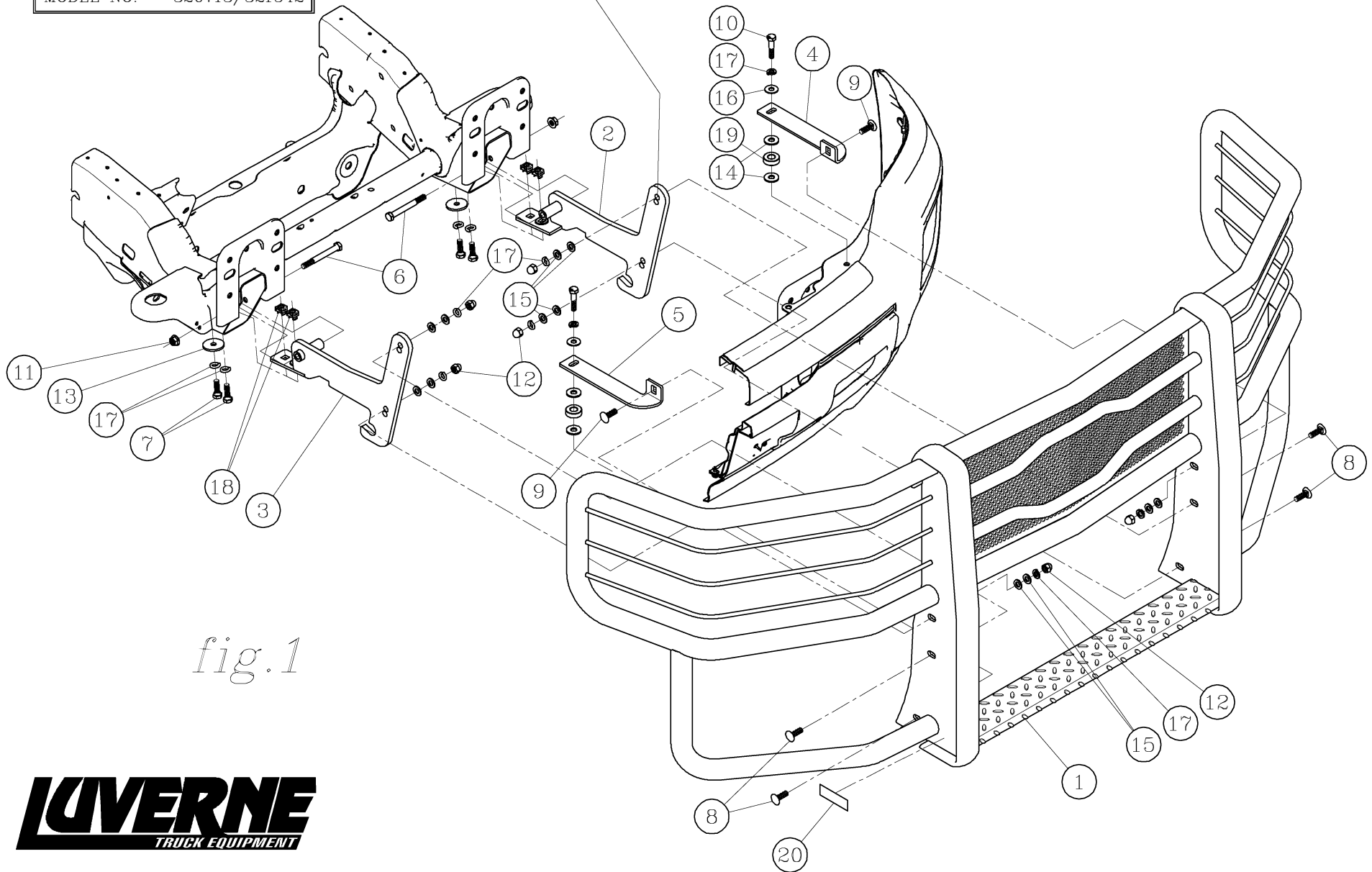


fig.1

