



INSTALLATION INSTRUCTIONS FOR MOUNTING

LUVERNE GRILL GUARD WITH THE FOLLOWING MODEL NO.:
321033/321332 ON:
2010 AND NEWER DODGE RAM 2500 & 3500

1. READ THE INSTRUCTIONS COMPLETELY AND CHECK TO MAKE SURE THAT ALL OF THE REQUIRED PARTS ARE ON HAND BEFORE STARTING THE INSTALLATION. THE INSTALLATION REQUIRES:
 - (1) GRILLE GUARD PACKAGE:
 - (1) GRILLE GUARD WELDMENT, BLACK
 - (1) BRACKET PACKAGE:
 - (2) TOP MOUNTING BRACKETS
 - (1) BOTTOM MOUNTING BRACKET, LH
 - (1) BOTTOM MOUNTING BRACKET, RH
 - (1) HARDWARE PACKAGE
 - (1) CUSTOMER SERVICE PACKAGE

REFER TO SHEETS #1 - #4 FOR GUARD ASSEMBLY & INSTALLATION INSTRUCTIONS 2-10

2. IF YOUR VEHICLE HAS FACTORY TOW HOOKS, REMOVE THEM. IF NOT PROCEED TO STEP #3.
3. INSTALL THE TOP MOUNTING BRACKETS (ITEM #2) TO THE PLATES ON THE END OF THE FRAME USING THE FOUR 3/8"-16 X 1-3/4" WASHER HEAD BOLTS (ITEM #7) AND THE FOUR 3/8"-16 FLANGE NUTS (ITEM #11). IF YOU HAVE TOW HOOKS, REINSTALL THEM AT THIS TIME AS SHOWN IN *Fig. 1*. HAND TIGHTEN ONLY AT THIS TIME.
4. UNDER AND BEHIND THE BUMPER, LOOSEN AND REMOVE THE LOWER INSIDE NUTS THAT HOLD THE BUMPER TO THE PLATES ATTACHED TO THE FRAME. **(DO NOT REMOVE THE NUTS FROM THE BOLTS FASTENING THE BUMPER TO THE FRAME, THE MOUNTING BRACKETS WILL REST AGAINST THE FACE OF THESE NUTS.)** INSTALL THE BRACKETS (ITEM #3 & #4) ON THE STUDS WHERE THE NUTS WERE REMOVED AND ON THE THREADED ENDS OF THE BOLTS MOUNTING THE BUMPER TO THE FRAME. INSTALL TWO M12 X 1.75 SERRATED FLANGE NUTS (ITEM #9) ON THE ENDS OF THE THREADED FRAME BOLTS AND ONE M12 X 1.75 SERRATED FLANGE NUT (ITEM #9) ON THE BUMPER PLATE BOLTS. TIGHTEN TO 65 FT LBS.

NOTE: IF YOU HAVE A DIESEL ENGINE, 2010-2013 OR A GAS ENGINE 2013 THERE ARE NO HOLES IN THE LOWER FASCIA, SO THEY WILL HAVE TO BE DRILLED. IN THE CENTER OF THE DEPRESSED AREA OF THE LOWER PLASTIC AIR DAM (2010-2012), MARK OUT THE CENTERS OF TWO 1" DIAMETER HOLES 28-5/8" ON CENTER DOWN AT THE BOTTOM OF THE DEPRESSION. DRILL THROUGH THE AIR DAM WITH A 1" DIAMETER HOLE SAW. YOU CAN VERIFY THE LOCATION OF THE HOLES BEFORE DRILLING BY FROM THE BACK SIDE, MAKE A MARK ON THE BACK SIDE OF THE AIR DAM IN LINE WITH THE CENTER OF THE SLOTTED HOLE IN THE BOTTOM BUMPER MOUNTING BRACKET. MAKE OR DRILL A SMALL HOLE (1/4" OR SMALLER) IN THE AIR DAM FROM THE BACK SIDE.



5. SET THE GRILLE GUARD WELDMENT (ITEM #1) ONTO THE UPPER MOUNTING BRACKETS SO THAT THE TOP MOUNTING BRACKETS ARE ON THE INSIDE OF THE UPRIGHTS AND INSTALL THE FOUR 1/2-13 X 1-1/2 CARRIAGE BOLTS (ITEM #6) INTO THE SIDE OF THE UPRIGHTS AND INTO THE TOP MOUNTING BRACKETS (ITEM #2) AND FASTEN WITH THE SAE FLAT WASHERS (ITEM #14), 1/2" LOCK WASHERS (ITEM #15) AND 1/2-13 ACORN NUTS (ITEM #10)
6. ON THE 1/2"-13 X 6" BOLTS (ITEM #5), INSTALL AN 1/2" FLAT WASHER (ITEM #12) AND INSERT IT THROUGH THE HOLES IN THE UPRIGHTS BOTTOM MOUNTING BRACKETS FROM THE FRONT SIDE. INSTALL ANOTHER FLAT WASHER (ITEM #12) AND AN 1/2"-13 FLANGE NUT (ITEM #8). INSTALL ANOTHER FLANGE NUT (ITEM #8) FACING FORWARD AND ANOTHER FLAT WASHER (ITEM #12). WITH THE END OF THE BOLT THROUGH THE LOWER MOUNTING BRACKET, INSTALL A FLAT WASHER (ITEM #12) AND AN 1/2"-13 FLANGE NUT (ITEM #8). SEE *fig.1*.
7. CHECK THAT THE GRILL GUARD IS CENTERED AND VERTICAL ON THE BUMPER AND THE UPRIGHTS ARE STRAIGHT UP AND DOWN. THEN TIGHTEN THE FOUR 1/2"-13 CARRIAGE BOLTS (ITEM #6), SECURING THE GRILLE GUARD TO THE MOUNTING BRACKETS TO 54 FOOT POUNDS (73N-m.).
8. TIGHTEN THE EIGHT BOLTS (ITEM #7) SECURING THE TOP MOUNTING BRACKETS (ITEM #2) TO THE FRAME.
9. TIGHTEN THE TWO NUTS (ITEM #8) SECURING THE 1/2"-13 X 6" BOLT TO THE LOWER UPRIGHT BRACKET.
10. ADJUST THE TWO NUTS ON EITHER SIDE OF THE LOWER MOUNTING BRACKET CHECKING TO MAKE SURE THE GRILLE GUARD IS STRAIGHT UP AND DOWN AND TIGHTEN THE FLANGE NUTS (ITEM #8).



SERVICE PARTS LIST

ITEM	PART NO.	QTY	DESCRIPTION
1	109213	1	GRILLE GUARD WELDMENT - BLACK
2	109213	2	MOUNTING BRACKET - TOP
3	202637	1	MOUNTING BRACKET – BOTTOM, LH
4	202638	1	MOUNTING BRACKET – BOTTOM, RH
5	108566	2	HEX HEAD SCREW – 1/2”-13 X 6”, FULL THD, ZP
6	109515	4	CARRIAGE BOLT – 1/2”-13 X 1-1/2”, BZP
7	107211	8	HEX FLANGE SCREW 3/8”-16 X 1-3/4, BZP
8	100123	8	SERRATED FLANGE NUT – 1/2”-13 , ZP
9	100794	6	SERRATED FLANGE NUT – M12 X 1.75, BZP
10	109510	4	ACORN NUTS – 1/2”-13, BZP
11	100181	8	SERRATED FLANGE NUT – 3/8”-16, BZP
12	100118	8	FLAT WASHER – 1/2”, ZP
13	100940	4	FLAT WASHER – 1/2”, SAE, ZP
14	109511	4	SPRING LOCK WASHER – 1/2”, BZP
15	106888	1	DECAL – LOGO, LUVERNE, 3/4 X 3



SERVICE PARTS LIST

MODEL NO. - 321332

REPLACE FACTORY
BUMPER NUTS
WITH ITEM #9

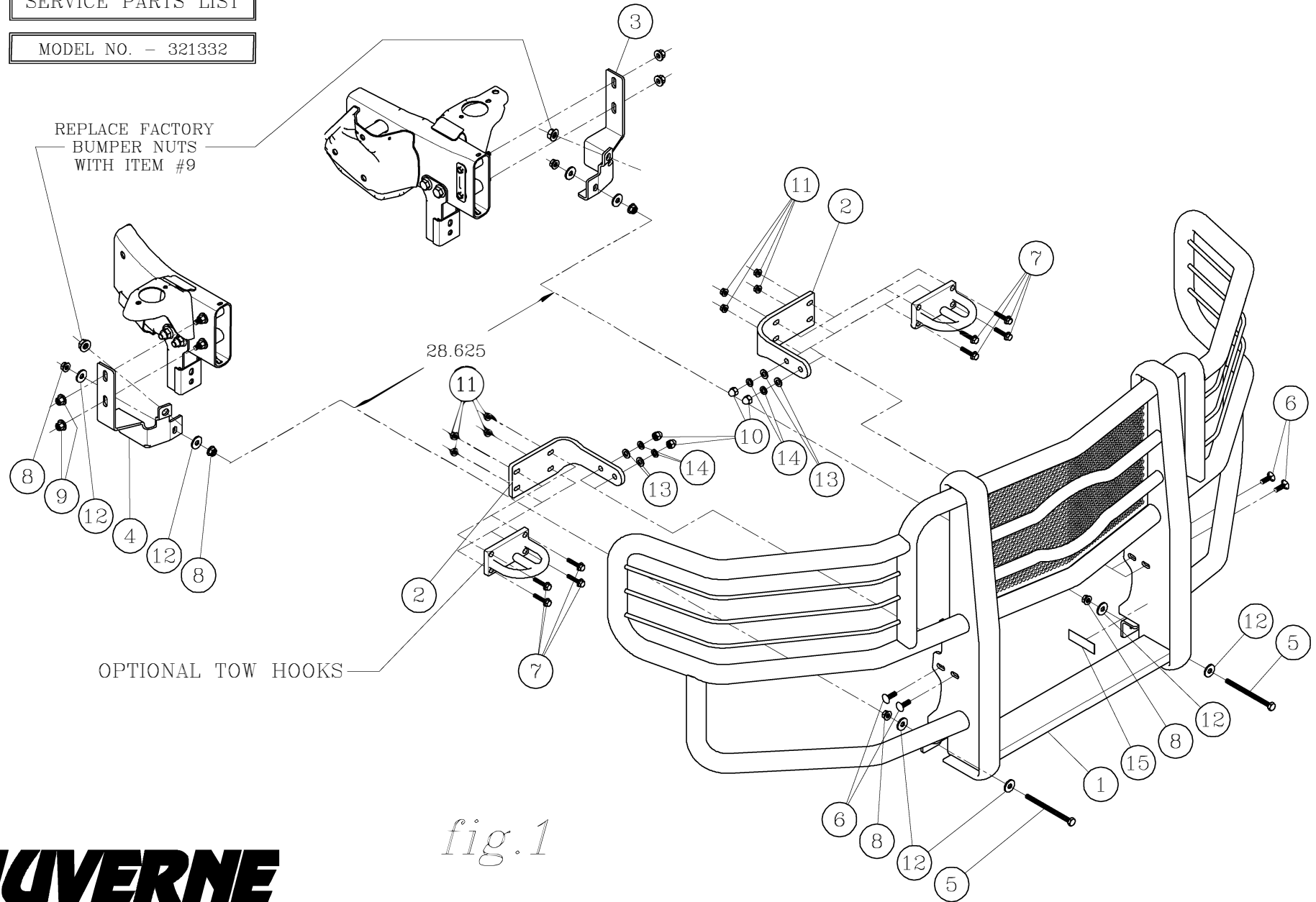


fig.1

