



## INSTALLATION INSTRUCTIONS FOR MOUNTING

LUVERNE GRILL GUARDS WITH THE FOLLOWING MODEL NOS.:  
351112 ON:

2011 AND NEWER 2500HD & 3500 CHEVROLET SILVERADO PICKUPS  
2011 AND NEWER 2500HD & 3500 GMC SIERRA PICKUPS

1. READ THE INSTRUCTIONS COMPLETELY AND CHECK TO MAKE SURE THAT ALL OF THE REQUIRED PARTS ARE ON HAND BEFORE STARTING THE INSTALLATION. THE CARTON SHOULD CONTAIN:
  - (1) GRILLE GUARD PACKAGE
    - (1) GRILLE GUARD ASSEMBLY
  - (1) UPRIGHT/BRACKET PACKAGE:
    - (1) MOUNTING BRACKET, LH
    - (1) MOUNTING BRACKET, RH
    - (1) FASTENER PACKAGE
    - (1) CUSTOMER SERVICE PACKAGE

### REFER TO FIG. 1 FOR GUARD ASSEMBLY INSTRUCTIONS 2-8

2. LOOSEN AND REMOVE THE TWO BOLTS AND NUT THAT HOLD THE TOW HOOKS TO THE END OF THE FRAME. REMOVE THE TOW HOOKS.
3. INSTALL THE LEFT HAND MOUNTING BRACKET (ITEM #2) INTO THE END OF THE FRAME. FASTEN WITH THE M12 X 1.75 X 110mm BOLTS (ITEM #4), M12 X 1.75 X 40mm HEX BOLTS (ITEM #5), M12 LOCK WASHERS (ITEM #11), M12 X 50mm X 5mm FLAT WASHER (ITEM #9) AND THE M12 X 1.75 SERRATED FLANGE NUT (ITEM #7). LEAVE LOOSE AT THIS TIME.
4. REPEAT STEP #3 ON THE RIGHT SIDE.
5. INSTALL THE GRILLE GUARD WELDMENT ONTO THE MOUNTING BRACKETS (ITEM #2 & #3) WITH THE BRACKET TO THE INSIDE OF THE UPRIGHTS AND FASTEN WITH THE M12 X 1.75 X 35mm CARRIAGE BOLTS (ITEM #6), M12 NARROW FLAT WASHERS (ITEM #10), M12 LOCK WASHERS (ITEM #11), AND THE M12 X 1.75 CAP NUTS (ITEM #8). LEAVE LOOSE AT THIS TIME
6. TIGHTEN THE BOLTS ATTACHING THE BRACKETS TO THE FRAME TO 54 FOOT POUNDS ( 73N-m.).
7. CHECK THAT THE GRILL GUARD IS CENTERED ON THE GRILLE AND THE REAR OF THE UPRIGHT CUTOUT IS APPROXIMATELY 1/2"-3/4" AWAY FROM THE FACE OF THE BUMPER.
8. TIGHTEN THE M12 X 1.75 CAP NUTS (ITEM #8) ON THE M12 X 1.75 X 35mm CARRIAGE BOLTS (ITEM #6), FASTENING THE MOUNTING BRACKETS TO THE GRILLE GUARD TO 54 FOOT POUNDS ( 73N-m.).



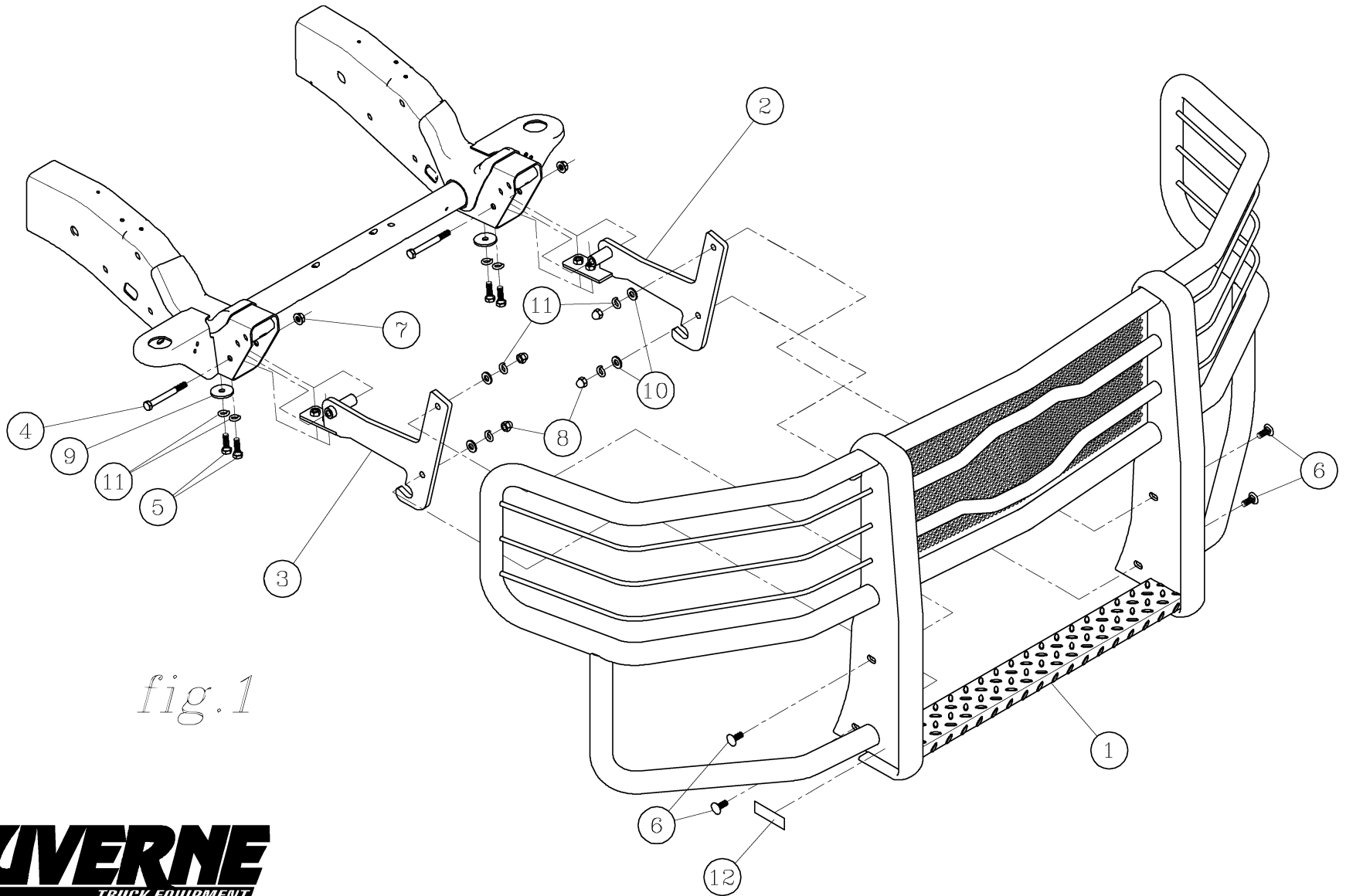
### SERVICE PARTS LIST

ITEM	PART NO.	QTY	DESCRIPTION
1	109211	1	GRILLE GUARD WELDMENT - BLACK
2	109211	1	MOUNTING BRACKET - LH
3	109211	1	MOUNTING BRACKET - RH
4	109450	2	HEX HEAD SCREW - M12 X 1.75 X 110mm, BLK ZP
5	109452	4	HEX HEAD SCREW- M12 X 1.75 X 40mm, BLK ZP
6	109455	4	ROUND HEAD BOLT - M12 X 1.75 X 35mm, BLK ZP
7	100794	2	SERRATED FLANGE NUT - M12 X 1.75, BLK ZP
8	109457	4	HEX CAP NUT - M12 X 1.75, BLK ZP
9	109461	2	FLAT WASHER - M12 X 50mm X 5mm, BLK ZP
10	109462	4	FLAT WASHER - SAE, M12, BLK ZP
11	109464	8	LOCK WASHER - M12, BLK ZP
12	106888	1	DECAL - LOGO, LUVERNE, 3/4 X 3



SERVICE PARTS LIST

MODEL NO. - 351112



*fig.1*

