



INSTALLATION INSTRUCTIONS FOR MOUNTING

LUVERNE GRILL GUARDS WITH THE FOLLOWING MODEL NOS.:
320713/320710 ON:

2007 AND NEWER 1500 CHEVROLET SILVERADO PICKUPS
2007 AND NEWER 1500 GMC SIERRA PICKUPS

1. READ THE INSTRUCTIONS COMPLETELY AND CHECK TO MAKE SURE THAT ALL OF THE REQUIRED PARTS ARE ON HAND BEFORE STARTING THE INSTALLATION. THE CARTON SHOULD CONTAIN:

- (1) GRILLE GUARD PACKAGE
 - (1) GRILLE GUARD ASSEMBLY
- (1) BRACKET PACKAGE:
 - (1) MOUNTING BRACKET, LH
 - (1) MOUNTING BRACKET, RH
 - (1) FASTENER PACKAGE

REFER TO FIG. 1 FOR GUARD ASSEMBLY INSTRUCTIONS 2-8

2. LOOSEN AND REMOVE THE TWO BOLTS AND NUT THAT HOLD THE TOW HOOKS TO THE END OF THE FRAME. REMOVE THE TOW HOOKS.
3. INSTALL THE LEFT HAND MOUNTING BRACKET (ITEM #2) INTO THE END OF THE FRAME. **(NOTE: WHEN INSTALLING THE BRACKET, BEND THE PLASTIC TAB IN THE AIR DAM TO THE OUTSIDE WHILE INSERTING THE BRACKET OR TRIM OFF THE TOP AND BOTTOM TABS EVEN WITH THE OUTSIDE HOLES, WITH A UTILITY KNIFE.)** FASTEN WITH THE 1/2"-13 X 4-1/2" BOLT (ITEM #4), 1/2"-13 X 1-1/2" HEX BOLT (ITEM #5), 1/2" LOCK WASHER (ITEM #9), AND THE 1/2"-13 SERRATED FLANGE NUT (ITEM #7). LEAVE LOOSE AT THIS TIME.
4. REPEAT STEP #3 ON THE RIGHT SIDE.
5. INSTALL THE GRILLE GUARD WELDMENT ONTO THE MOUNTING BRACKETS (ITEM #2 & #3) WITH THE BRACKET TO THE INSIDE OF THE UPRIGHTS. **(NOTE: USE THE BOTTOM HOLES IN THE MOUNTING BRACKETS FOR CHEVROLET SILVERADO AND THE TOP HOLES FOR THE GMC SIERRA.)** FASTEN WITH THE 1/2"-13 X 1-1/2" CARRIAGE BOLTS (ITEM #6), 1/2" SAE WASHERS (ITEM #9), AND THE 1/2"-13 FLANGE NUTS (ITEM #7). LEAVE LOOSE AT THIS TIME
6. TIGHTEN THE BOLTS ATTACHING THE BRACKETS TO THE FRAME TO 70 FOOT POUNDS.
7. CHECK THAT THE GRILL GUARD IS CENTERED ON THE GRILLE AND THE REAR OF THE UPRIGHT CUTOUT IS APPROXIMATELY 1/2"-3/4" AWAY FROM THE FACE OF THE BUMPER.
8. TIGHTEN THE 1/2"-13 FLANGE NUTS (ITEM #7) ON THE 1/2"-13 X 1-1/2" CARRIAGE BOLTS (ITEM #6), FASTENING THE MOUNTING BRACKETS TO THE GRILLE GUARD TO 70 FOOT POUNDS.



SERVICE PARTS LIST

ITEM	PART NO.	QTY	DESCRIPTION
1	109211	1	GRILLE GUARD WELDMENT - BLACK
2	202621	1	MOUNTING BRACKET - LH
3	202622	1	MOUNTING BRACKET - RH
4	100107	2	HEX HEAD SCREW - 1/2"-13 X 4-1/2, ZP
5	100088	2	HEX HEAD SCREW- 1/2"-13 X 1-1/2, ZP
6	104131	4	ROUND HEAD BOLT - 1/2"-13 X 1-1/2", BLK ZP
7	106607	6	SERRATED FLANGE NUT - 1/2"-13, BLACK ZP
8	100940	4	FLAT WASHER - 1/2", SAE, BLACK ZP
9	100121	2	LOCK WASHER - 1/2", ZP
10	106888	1	DECAL - LOGO, LUVERNE, 3/4" X 3"



SERVICE PARTS LIST

MODEL NO. - 320710

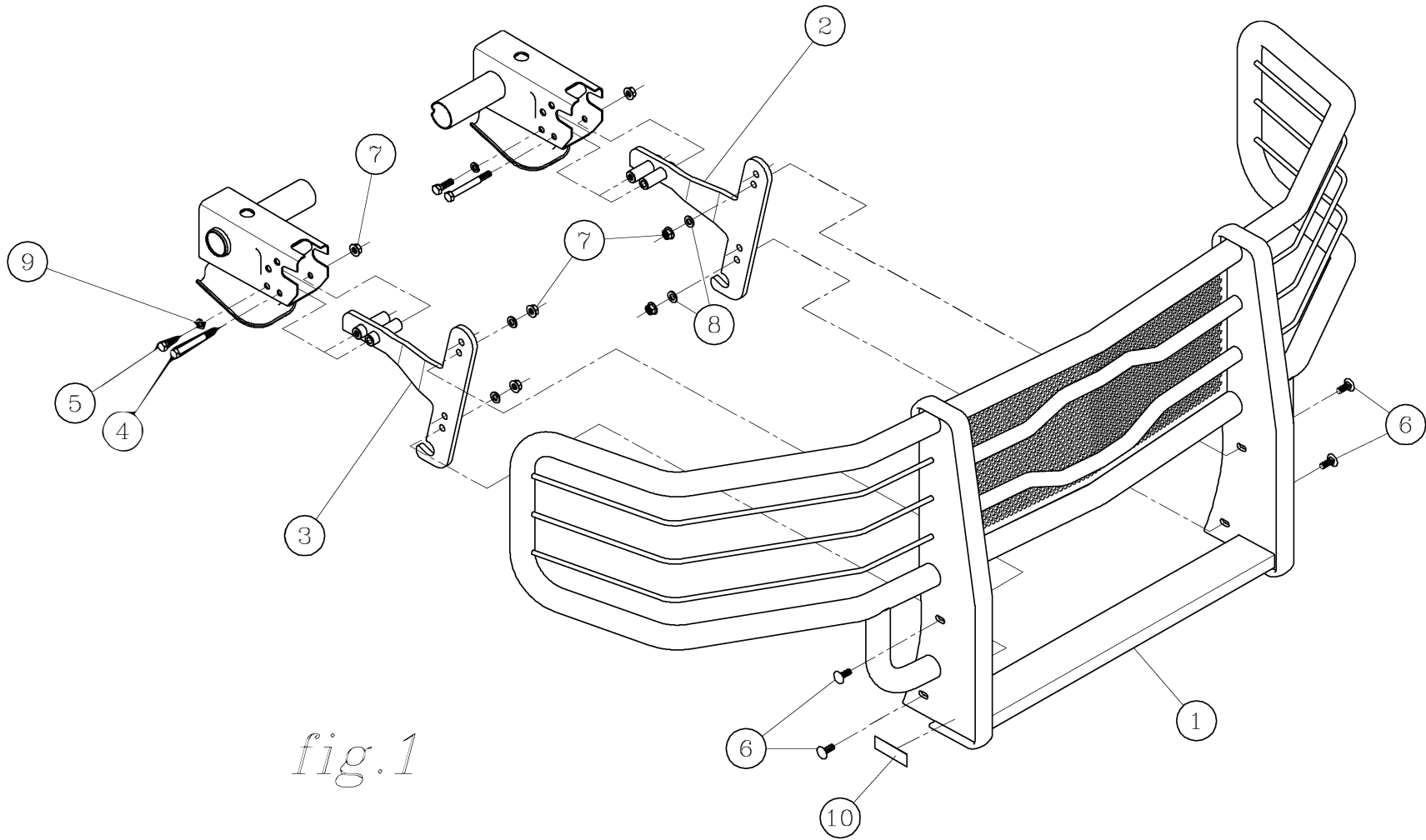


fig.1

