

## INSTALLATION INSTRUCTIONS AND PARTS LIST

APPLICATION: MODEL **281652/281653** (BLACK) SIDE ENTRY STEP BOARDS:  
**BODY MOUNT APPLICATION**

1. READ INSTRUCTIONS COMPLETELY AND CHECK TO MAKE SURE THAT ALL REQUIRED PARTS (LISTED ON SERVICE PARTS LIST) ARE ON HAND BEFORE STARTING THE INSTALLATION.
2. WITH THE STEP BOARD BRACKETS ATTACHED TO THE VEHICLE, ON THE LEFT SIDE OF THE VEHICLE PLACE THE STEP BOARD (ITEM #1) ON THE BRACKETS AND CHECK THAT THE MOUNTING HOLES LINE UP. (THE LUVERNE STICKER SHOULD BE ON THE FRONT DRIVERS SIDE)
3. USING EIGHT (8) 10-24 X .75" CARRIAGE BOLTS (ITEM #3), EIGHT (8) NEOPRENE WASHERS (ITEM #13), AND EIGHT (8) 10-24 FLANGE NUTS (ITEM #4) ATTACH THE STEP BOARD TO THE BRACKETS.
4. ADJUST STEP IN/OUT TO ALIGN STEP WITH THE CAB.
5. TIGHTEN THE STEP MOUNTING BOLTS.
6. REPEAT FOR RIGHT SIDE OF VEHICLE.

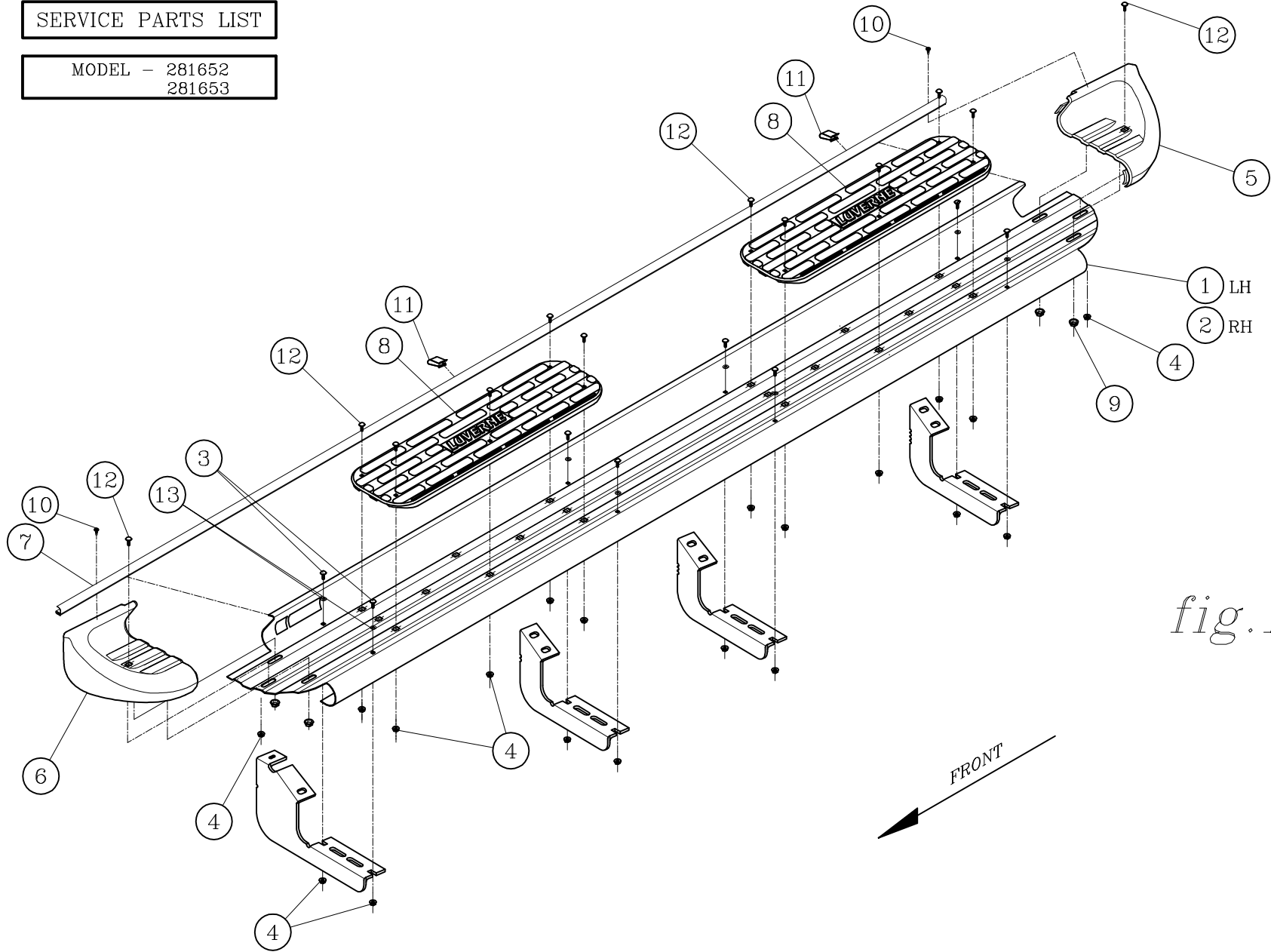
### SERVICE PARTS LIST

ITEM	PART NO.	QTY	DESCRIPTION
1	553024	1	STEP PLATE-SES, BLACK, LH, 281652, DOUBLE CAB
2	553025	1	STEP PLATE-SES, BLACK, RH, 281652, DOUBLE CAB
1	553026	1	STEP PLATE-SES, BLACK, LH, 281653, CREW MAXX
2	553027	1	STEP PLATE-SES, BLACK, RH, 281653, CREW MAXX
3	109685	16	BOLT – CARRIAGE – SST, BLACK, 10-24 X .75"
4	104261	40	NUT – FLANGE, SST, 10-24
5	104250	2	END CAP – RH FRONT/LH REAR
6	104251	2	END CAP – LH FRONT/RH REAR
7	102502	2	TRIM – SEAL, EXTRUSION, 95"
8	105500	4	STEP PAD, 5.50 X 20.00
9	104257	8	NUT – HEX, SINGLE THREAD
10	107958	4	SCR-PPH, #8-18 X .5", SST
11	107645	4	CLIP-U, .118-.185, BLK
12	107863	24	BOLT – CARRIAGE, 10-24 X .5", BZP
13	104530	16	WASHER – NEOPRENE, .200 X .468 X .03



SERVICE PARTS LIST

MODEL - 281652  
281653



*fig. 1*



LEFT HAND (DRIVERS SIDE)  
SIDE ENTRY STEP ASSEMBLY

Choose reliable running boards offered on our website.