

INSTALLATION INSTRUCTIONS AND PARTS LIST
MODEL 477078, 477088, 477098 REGAL 7 OVAL STEPS (BOARDS ONLY)
277078, 277088 REGAL 7 OVAL STEPS BLACK



1. Read instructions completely and check to make sure that all required parts (listed on the service parts list) are on hand before starting the installation.
2. Follow the instructions included with the specific bracket package that you are using to mount the brackets to your vehicle.
3. The step is pre-assembled from the factory. The serial number label is located on the front inside drivers side step assembly.
4. Attaching the step to the mounting bracket:
 - 4.1 Set the step on the mounting brackets, and slide each support mounting plate (item #9) inside the oval step and above each bracket.
 - 4.2 Using the supplied 5/16-18 x 1" black stainless steel hex bolt, washer, and serrated flange nut (items # 10,11&12) attach the step assembly, support mounting plate and mounting bracket.
 - 4.3 Set the step plate in the correct position and tighten all fasteners.
Torque all 5/16" fasteners to 19 LB FT.

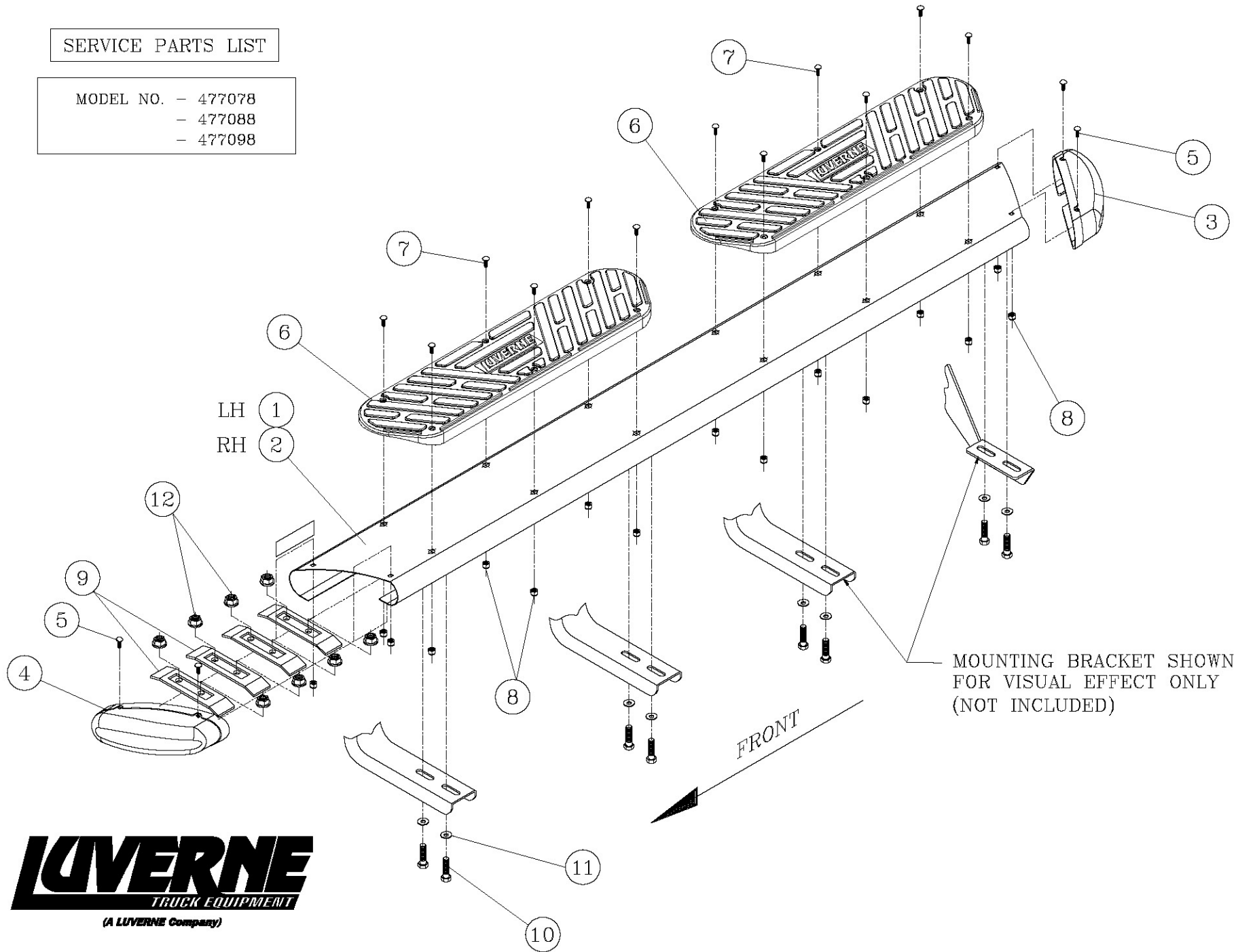
SERVICE PARTS LIST

| ITEM | PART NO. | QTY | DESCRIPTION |
|------|----------|-----|--|
| 1&2 | 552059 | 2 | REGAL 7 OVAL STEP, LH,RH,76",477078 |
| 1&2 | 552060 | 2 | REGAL 7 OVAL STEP, LH,RH,86",477088 |
| 1 | 552061 | 1 | REGAL 7 OVAL STEP, LH,96",477098 |
| 2 | 552062 | 1 | REGAL 7 OVAL STEP, RH,96",477098 |
| 1&2 | 552089 | 2 | REGAL 7 OVAL STEP,LH,RH, 277088,BLK |
| 1&2 | 552090 | 2 | REGAL 7 OVAL STEP,LH,RH, 277078,BLK |
| 3 | 109233 | 2 | END CAP LH REAR, RH FRONT,BLK PLASTIC |
| 4 | 109232 | 2 | END CAP RH REAR, LH FRONT,BLK PLASTIC |
| 5 | 107863 | 8 | BOLT-CARRAIGE, 10-24 X 0.50,SST, BLACK |
| 6 | 108909 | 4 | STEP PAD, 25" X 6.5", PLASTIC, BLACK |
| 7 | 108908 | 24 | BOLT-CARRAIGE, 10-24 X 1.0,SST, BLACK |
| 8 | 107864 | 24 | NUT-NYLOCK, 10-24, SST |
| 9 | 552052 | 8 | SUPPORT MTG PLT, 11 GA, GALV |
| 10 | 106997 | 16 | SCREW-HEX HD, 5/16-18X1.0,SST,BLACK |
| 11 | 106998 | 16 | WSHR-FLAT, 5/16, SST, BLACK |
| 12 | 102680 | 16 | NUT-SER FLG, 5/16-18, SST |



SERVICE PARTS LIST

MODEL NO. - 477078
- 477088
- 477098



LUERNE
TRUCK EQUIPMENT
(A LUERNE Company)

INSTALLATION INSTRUCTIONS AND PARTS LIST

APPLICATION: MODEL 401523/401723 GRIP STEP BRACKETS ON:
2015+ FORD F150/2017+ FORD SUPER DUTY, SUPERCAB AND SUPERCREW PICKUPS



NO DRILL APPLICATION

1. READ INSTRUCTIONS COMPLETELY AND CHECK TO MAKE SURE THAT ALL REQUIRED PARTS (LISTED ON SERVICE PARTS LIST) ARE ON HAND BEFORE STARTING THE INSTALLATION.
2. ON THE LEFT SIDE OF THE VEHICLE INSTALL TWO 1.5" ISOLATOR WASHERS (ITEM #3), THE STEP MOUNTING BRACKET (ITEM #2) AND TWO M8-1.25 FLANGE NUTS (ITEM #4) OVER THE FACTORY PROVIDED STUDS ON THE INSIDE OF THE ROCKER PANEL AS SHOWN IN FIGURE 2.
3. REPEAT STEP 2 FOR THE REAR BRACKET.
4. CHECK THAT THE FRONT AND REAR BRACKETS ARE LEVEL AND TIGHTEN ALL FLANGE NUTS.
5. REMOVE THE CENTER BODY MOUNT BOLT AND INSTALL THE CENTER INBOARD MOUNTING BRACKET (ITEM #10) AS SHOWN IN FIGURE 1.
6. USING THREE 3/8"-18 X 1.0" HEX BOLTS (ITEM #5) THREE 3/8" FLAT WASHERS (ITEM #6) AND THREE 3/8"-18 FLANGE NUTS (ITEM #7) ATTACH THE OUTBOARD BRACKET (ITEM #11) TO THE INBOARD BRACKET (ITEM #10). ADJUST THE HEIGHT TO MATCH YOUR STEP BOARD AND TIGHTEN BOLTS.
7. ASSEMBLE THE LOAD REACTION STUDS AND HARDWARE (ITEMS #6-9) AS FOLLOWS.
 - 7.1. ON THE SHORT THREADED END OF THE LOAD REACTION STUD (ITEM #9), INSTALL A 3/8" FLANGE NUT (ITEM #7) BACKWARDS ONTO THE BOTTOM OF THE THREAD. THEN INSTALL A 3/8" FLAT WASHER (ITEM #6) AND RUBBER CUSHION WASHER (ITEM #8) TIGHT UP AGAINST THE FLANGE NUT. (THE END OF THE STUD MUST BE RECESSED IN THE RUBBER WASHER APPROX. 3/16")
 - 7.2. ON THE LONG THREADED END OF THE STUD, INSTALL A 3/8" FLANGE NUT (ITEM #7) BACKWARDS TO NEAR THE BOTTOM OF THE THREADS.
8. CHECK THAT THE CENTER BRACKET IS PERPENDICULAR TO THE BODY OF THE VEHICLE AND TIGHTEN THE BODY MOUNT BOLT PER THE MANUFACTURES SPECIFICATIONS.
9. INSTALL THE LOAD REACTION STUD INTO THE CENTER INBOARD BRACKET (ITEM #10) AS SHOWN IN FIGURE 1 AND ADJUST THE INBOARD NUT SO THAT THE RUBBER CUSHION WASHER IS SNUG UP AGAINST THE FRAME OF THE VEHICLE. INSTALL A 3/8" FLANGE NUT (ITEM #7) ON THE OUTBOARD SIDE OF THE STUD AND TIGHTEN TO 19 LB-FT.
10. REAPEAT STEPS 2 – 9 FOR THE RIGHT SIDE OF THE VEHICLE.

ATTACHING THE STEP BOARDS TO THE BRACKETS:

PLEASE REFER TO THE INSTRUCTION SHEET INCLUDED WITH YOUR STEP BOARD ASSEMBLY TO MOUNT THE STEP TO THE BRACKETS.



SERVICE PARTS LIST

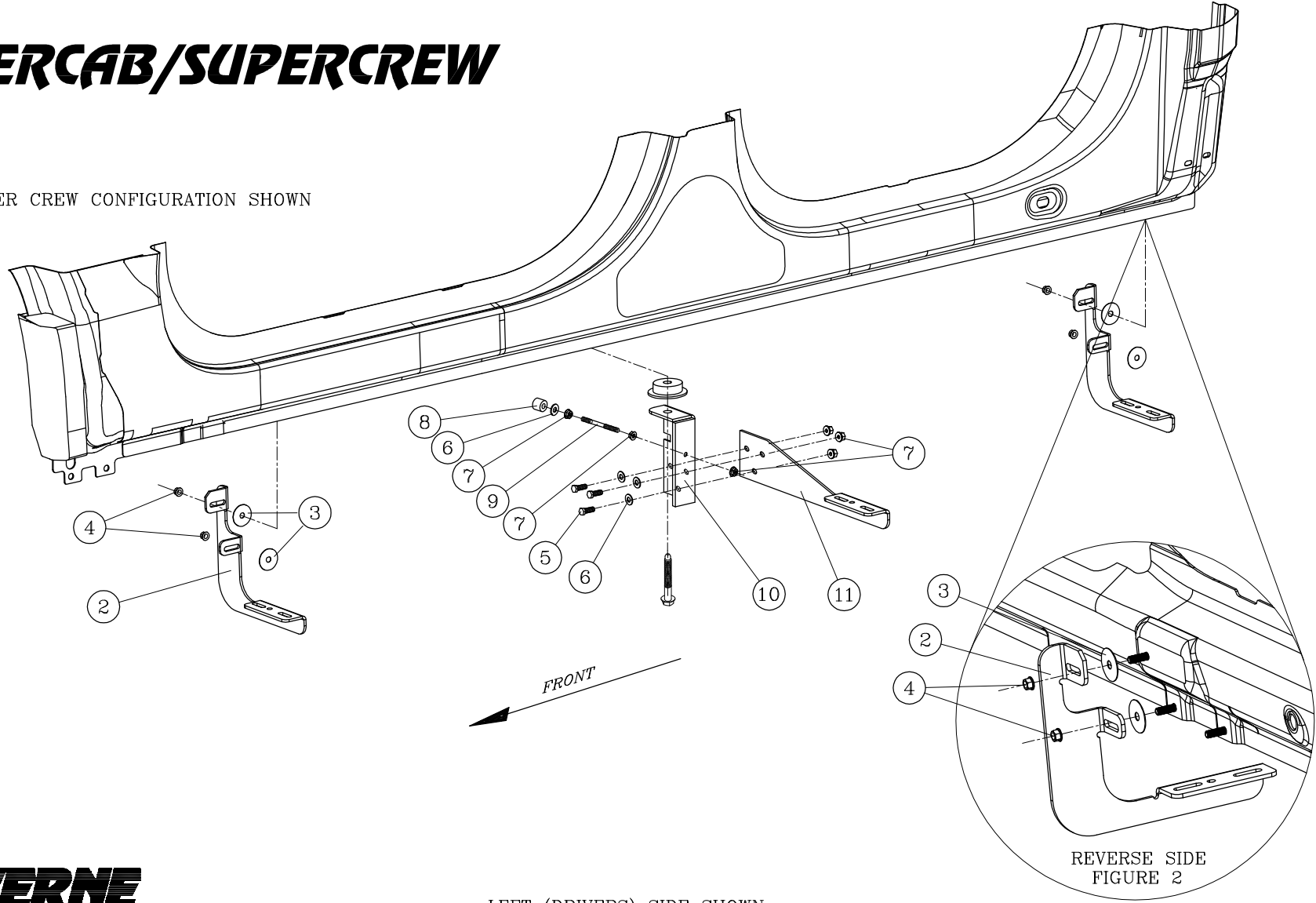
| ITEM | PART NO. | QTY | DESCRIPTION |
|------|----------|-----|--|
| 1 | | 1 | STEP ASSY, GRIP STEP |
| 2 | 552845 | 4 | BRACKET-MTG, GRIP STEP, 401521 |
| 2 | 553168 | 4 | BRACKET-MTG, GRIP STEP, SUPER DUTY, 401723 |
| 3 | 108442 | 8 | WASHER – NYLON, .36" X 1.5" X .032" BLACK |
| 4 | 105859 | 8 | NUT- FLANGE, M8-1.25, ZP |
| 5 | 100040 | 6 | BOLT-HEX HD, 3/8"-16 X 1.00", ZP |
| 6 | 100062 | 8 | WASHER-FLAT, 3/8", ZP |
| 7 | 106995 | 12 | NUT-FLANGE, 3/8"-16, ZP |
| 8 | 102592 | 2 | WASHER-RUBBER, .354 X 1.0 X .75 |
| 9 | 104673 | 2 | STUD-DBL END, 3/8"-16 X 5" |
| 10 | 552843 | 2 | BRKT-MTG, CTR, INBOARD, 401523 |
| 10 | 553169 | 2 | BRKT-MTG, CTR, INBOARD, SUPER DUTY, 401723 |
| 11 | 552844 | 2 | BRKT-MTG, CTR, OUTBOARD, 401523 |

SERVICE PARTS LIST

MODEL NO. - 401523
401723

SUPERCAB/SUPERCREW

NOTE: SUPER CREW CONFIGURATION SHOWN



- LEFT (DRIVERS) SIDE SHOWN -
- RIGHT (PASSENGER) SIDE OPPOSITE -

Choose reliable running boards offered on our website.