

INSTALLATION INSTRUCTIONS AND PARTS LIST

VEHICLE APPLICATION:

MODEL 252023 (20" X 23") REAR DUAL WHEEL MUDGUARDS
UNIVERSAL APPLICATIONS FOR SINGLE WHEEL VEHICLES

1. READ INSTRUCTIONS COMPLETELY AND CHECK TO MAKE SURE THAT ALL REQUIRED PARTS (LISTED ON SERVICE PARTS LIST) ARE ON HAND BEFORE STARTING THE INSTALLATION.

NOTE: MUDGUARD DO NOT HAVE PRE DRILLED MOUNTING HOLES FOR UNIVERSAL APPLICATIONS.

MOUNTING MUDGUARDS: (SEE SHEET #2)

2. INSTALL THE MUDGUARDS AS FOLLOWS:
 - 2.1. POSITION THE MUDGUARD AGAINST THE WHEEL WELL FLANGE. MOVE THE SPLASH GUARD IN OR OUT AS DESIRED, LEVEL THE SPLASH GUARD, CLAMP THE MUDGUARD TO THE WHEEL WELL FLANGE AND THE TOP OF THE MOUNTING BRACKET TO THE INNER WHEEL WELL FLANGE.
 - 2.2. ATTACH THE MUDGUARD TO THE WHEEL WELL FLANGE BY DRILLING FOUR 3/16" DIA. HOLES THRU THE MUDGUARD IF POSSIBLE, USE THE #10 BOLT, NUT & WASHER (ITEM #3,4,5) AT ONE OF THESE LOCATIONS. FASTEN WITH 1/4 X 1.0" HEX HEAD THREAD FORMING STAINLESS STEEL SCREWS (ITEM #2).

SERVICE PARTS LIST

ITEM	PART NO.	QTY	DESCRIPTION
1	550197	2	MUD GUARD RUBER 20 X 23, RH
2	108449	8	SCREW- SELF TAPPING, SST, 1/4" X 1.0
3	105516	2	SCR-TRUSS HD, #10 X 1.0
4	104261	2	NUT-SERRATED FLANGE HD, SST, 10-24
5	105511	4	WASHER- FLAT, SST, .203 X .625 X .062



SERVICE PARTS LIST

MODEL NO. - 252023

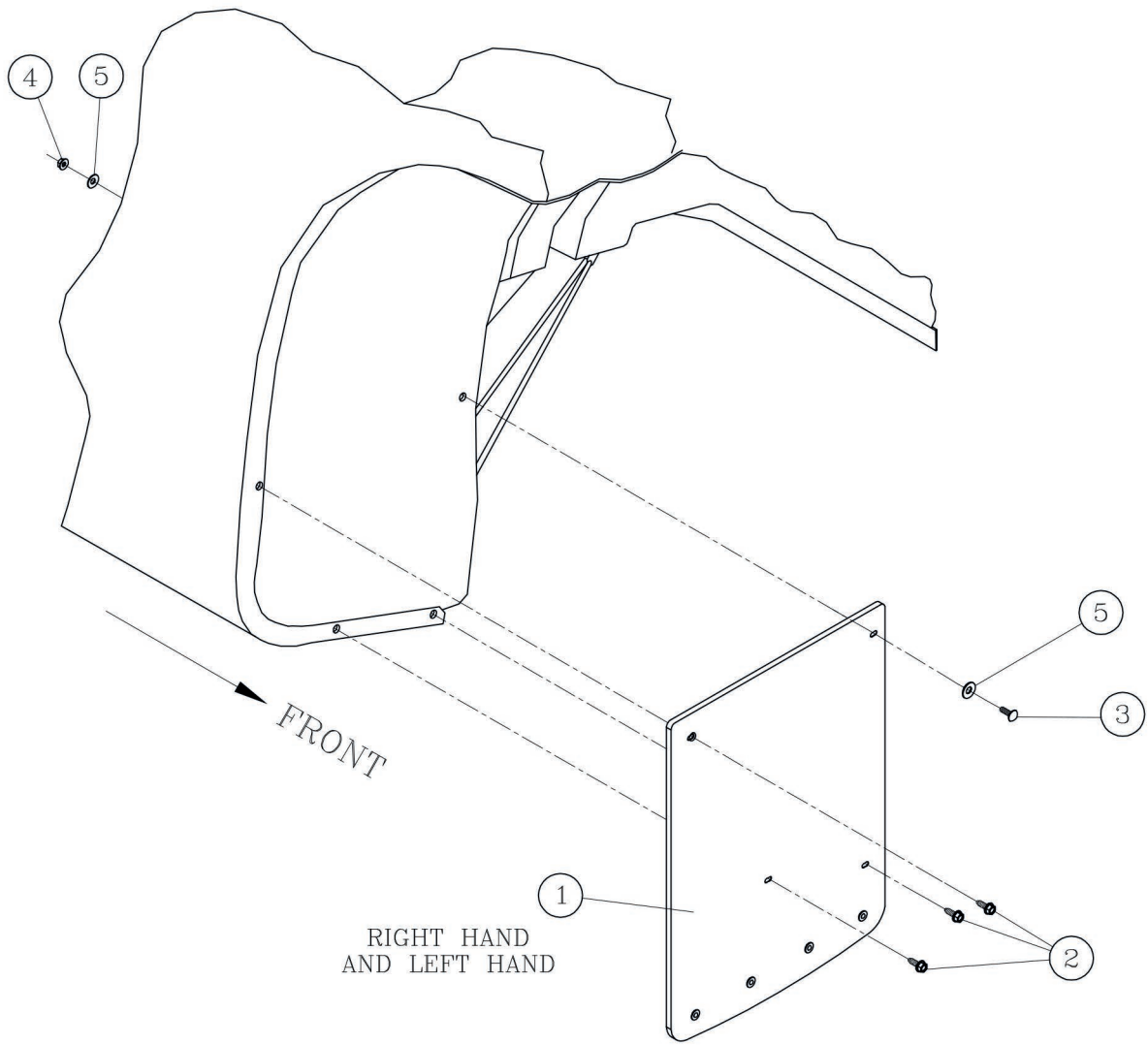


fig.1

REAR INSTALLATION
RIGHT (PASSENGER) SIDE SHOWN