

INSTALLATION INSTRUCTIONS AND PARTS LIST

VEHICLE APPLICATION:

MODEL 251720 (12" X 20") & 251723 (12" X 23") FRONT OR REAR MUDGUARDS
2017 AND NEWER FORD SUPER DUTY SERIES TRUCKS

1. READ INSTRUCTIONS COMPLETELY AND CHECK TO MAKE SURE THAT ALL REQUIRED PARTS (LISTED ON SERVICE PARTS LIST) ARE ON HAND BEFORE STARTING THE INSTALLATION.

MOUNTING 251720/251723 MUDGUARDS ON THE FRONT OF THE VEHICLE: (SEE FIG. 1)

2. REMOVE THE TWO FASTENERS HOLDING THE ROCK GUARD TO THE BOTTOM OF THE FENDER. THESE WILL NOT BE REUSED. **NOTE: IF THE VEHICLE HAS A FACTORY FENDER FLARE USE A 9/32" DRILL BIT AND DRILL A HOLE AT EACH OF THE ROCK GUARD FASTENER LOCATIONS.**
3. USING TWO M4.2 X 30MM SEMS SCREWS (ITEM #13), TWO BLACK FENDER WASHERS (ITEM #6) ATTACH THE MUDGUARD (TO THE FENDER AS SHOWN IN FIG. 1. LEAVE THESE FASTENERS LOOSE AT THIS TIME. **NOTE: FOR VEHICLES WITH FACTORY FENDER FLARES USE TWO 8-15 X 1.75 PAN HEAD SCREWS (ITEM #8), TWO SST FLAT WASHERS (ITEM #9) AND TWO BLACK FENDER WASHERS (ITEM #6) INSTEAD OF THE M4.2 X 30MM SEMS SCREWS.**
4. USING A 1/4-20 X 1.5" ALUMINUM HEX HEAD SCREW (ITEM #3), A 1/4" ALUMINUM FLAT WASHER (ITEM #5), A BLACK FENDER WASHER (ITEM #6) AND A 1/4-20 ALUMINUM LOCK NUT (ITEM #4) ATTACH A SST Z-CLIP (ITEM #11) TO THE INBOARD CORNER OF THE MUD GUARD. LEAVE LOOSE AT THIS TIME.
5. POSITION THE MUD GUARD IN ITS FINAL POSITION AND LOCATE THE TOP MOUNTING LOCATION FOR THE MUD GUARD. USING A 9/32" DRILL BIT, DRILL A HOLE THROUGH THE FENDER LIP.
6. USING A 1/4-20 X 1.5" ALUMINUM HEX HEAD SCREW (ITEM #3), A 1/4" ALUMINUM FLAT WASHER (ITEM #5), A BLACK FENDER WASHER (ITEM #6), AND A 1/4-20 ALUMINUM LOCK NUT (ITEM #4) ATTACH THE MUD GUARD TO THE FENDER AS SHOWN IN FIG. 1.
7. LOCATE THE Z-CLIP FROM STEP FOUR AGAINST THE WHEEL WELL LINER AND USING A 9/32" DRILL BIT, DRILL A HOLE THROUGH THE WHEEL WELL LINER. ATTACH THE Z-CLIP TO THE WHEEL WELL LINER USING A 1/4-20 X 1.5" ALUMINUM HEX HEAD SCREW (ITEM #3), A 1/4" ALUMINUM FLAT WASHWER (ITEM #5), A BLACK FENDER WASHER (ITEM #6) AND A 1/4-20 ALUMINUM LOCK NUT (ITEM #4)
8. ADJUST THE MUD GUARD SO THAT IT IS LEVEL AND UPRIGHT AND TIGHTEN ALL FASTENERS. **NOTE: IT IS RECOMMENDED TO START WITH THE TOP FASTENER. NOTE: BE CAREFUL TO NOT OVER TIGHTEN FASTENERS**
9. REPEAT FOR LEFT SIDE OF VEHICLE.



MOUNTING 251520 / 251523 MUD GUARDS ON THE REAR OF THE VEHICLE. (SEE FIG. 2)

10. REMOVE THE TWO PLASTIC FASTENERS HOLDING THE ROCK GUARD TO THE FENDER. THESE WILL NOT BE REUSED. **NOTE: IF THE FACTORY FENDER FLARE COVERS THESE FASTENERS USE A 9/32" DRILL BIT AND DRILL A HOLE AT EACH OF THESE LOCATIONS.**
11. REMOVE THE FACTORY SPLASH GUARD BOLT AND INSTALL A .360" X 1.5" NYLON WASHER (ITEM #7) AND THE SUPPORT BRACE (ITEM #10) AS SHOWN IN FIGURE 2.
12. USING TWO 1/4-20 X 1.5" ALUMINUM HEX HEAD SCREWS (ITEM #3), TWO 1/4" X 1" BLACK FENDER WASHERS (ITEM #6), TWO 1/4" ALUMINUM WASHERS (ITEM #5), AND TWO 1/4-20 ALUMINUM LOCK NUTS (ITEM #4) ATTACH THE MUD GUARD TO THE FENDER AS SHOWN IN FIGURE 2.
13. USING A 1/4-20 X 1.5" ALUMINUM HEX HEAD SCREW (ITEM #3), A 1/4" X 1" BLACK FENDER WASHER (ITEM #6), TWO 1/4" ALUMINUM WASHERS (ITEM #5), AND A 1/4-20 ALUMINUM LOCK NUT (ITEM #4) ATTACH THE MUD GUARD TO THE SUPPORT BRACE AS SHOWN IN FIGURE 2.
14. POSITION THE MUD GUARD SO THAT IT IS IN ITS FINAL POSITION AND LOCATE THE TOP MOUNTING HOLE. USING A 9/32" DRILL BIT, DRILL A HOLE THROUGH THE FENDER LIP.
15. POSITION THE 5.5" FOAM RUBBER BULB SEAL (ITEM #13) AGAINST THE BODY OF THE VEHICLE SO THAT THE BULB PORTION IS FACING THE OUTSIDE OF THE VEHICLE AS SHOWN IN FIG 2. PLACE THE BULB SEAL ALL THE WAY DOWN AGAINST THE TOP OF THE FACTORY ROCK GUARD, AND ADJUST THE BULB SEAL SO THAT IT FOLLOWS THE CONTOUR OF THE FENDER.
16. WITH THE BULB SEAL POSITIONED, USE A SHARP OBJECT TO PUNCH THROUGH THE BULB SEAL AT THE TOP MOUNTING LOCATION.
17. USING A 1/4-20 X 1.5" ALUMINUM HEX HEAD SCREW (ITEM #3), A 1/4" ALUMINUM WASHER (ITEM #5), A 1/4"-1" BLACK FENDER WASHER (ITEM #6), AND A 1/4-20 ALUMINUM LOCK NUT, ATTACH THE MUD GUARD TO THE FENDER AS SHOWN IN FIGURE 2.
18. ADJUST THE MUD GUARD SO THAT IT IS LEVEL AND UPRIGHT AND TIGHTEN ALL FASTENERS. **NOTE: BE CAREFUL TO NOT OVER TIGHTEN FASTENERS.**
19. REPEAT FOR LEFT SIDE OF VEHICLE.

PARTS LIST

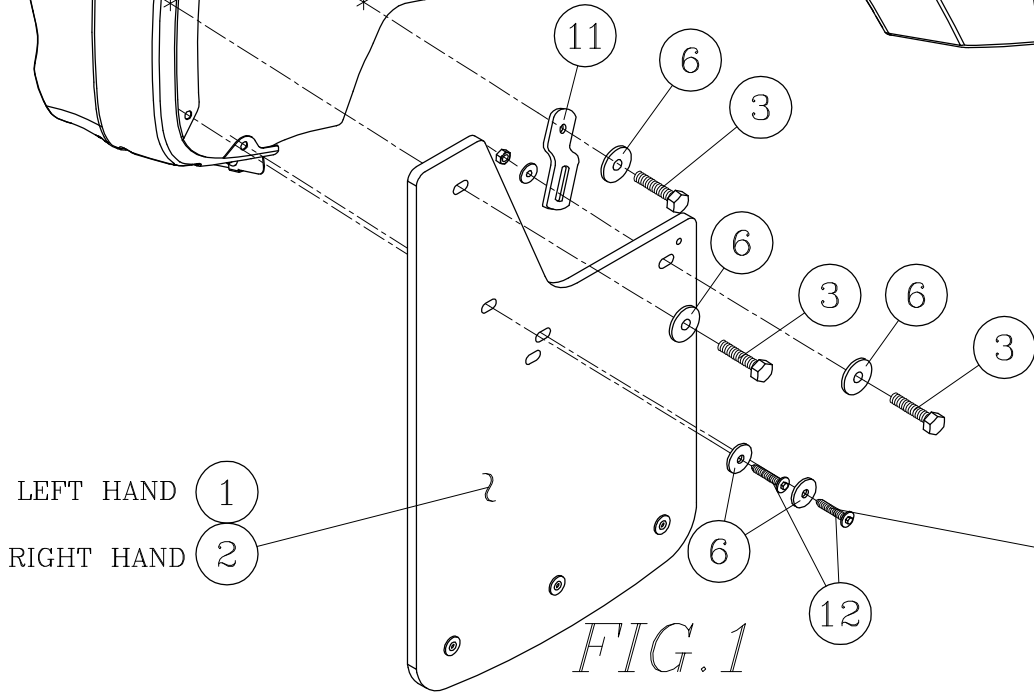
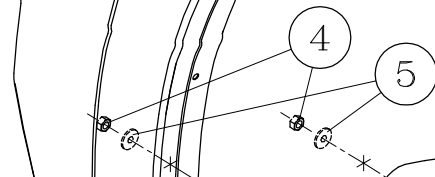
ITEM	PART NO.	QTY	DESCRIPTION
1	552984	1	MUDGUARD-,12X20,FORD SUPER DUTY, LH
2	552985	1	MUDGUARD-,12X20,FORD SUPER DUTY, RH
1	552986	1	MUDGUARD-,12X23,FORD SUPER DUTY, LH
2	552987	1	MUDGUARD-,12X23,FORD SUPER DUTY, RH
3	109901	10	SCREW-HEX HEAD, 1/4-20 X 1.5", ALUMINUM
4	109902	10	NUT-LOCK, 1/4-20, ALUMINUM
5	109903	10	WASHER-FLAT, .257 X .685 X .045, ALUMINUM
6	108521	8	WASHER-FENDER, 1/4-1, SST, BZP
7	108442	2	WASHER-NYL, .360 X 1.5 X .032, BLK
8	107642	4	SCR-PAN HEAD, 8-15 X 1.75, SST
9	105511	4	WASHER - FLAT, .203 X .625 X .062, SST
10	552988	2	BRACE-SUPPORT, REAR
11	605330	2	SLOTTED Z-CLIP, SST
12	105514	4	SCREW-SEMS, M4.2-1.41X30MM
13	552956	2	BULB SEAL, RUBBER, 1- 1/4" X 5.5"



SERVICE PARTS LIST

MODEL NO. - 251720/251723

WHEEL WELL LINER



LEFT HAND 1
RIGHT HAND 2

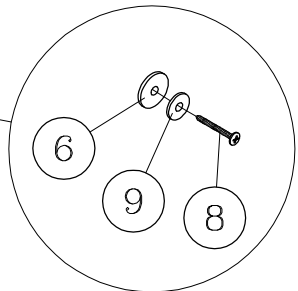


FIG. 1

FRONT INSTALLATION
RIGHT (PASSENGER) SIDE SHOWN

FOR TRUCKS WITH
FENDER FLARES



SERVICE PARTS LIST

MODEL NO. - 251720/251723

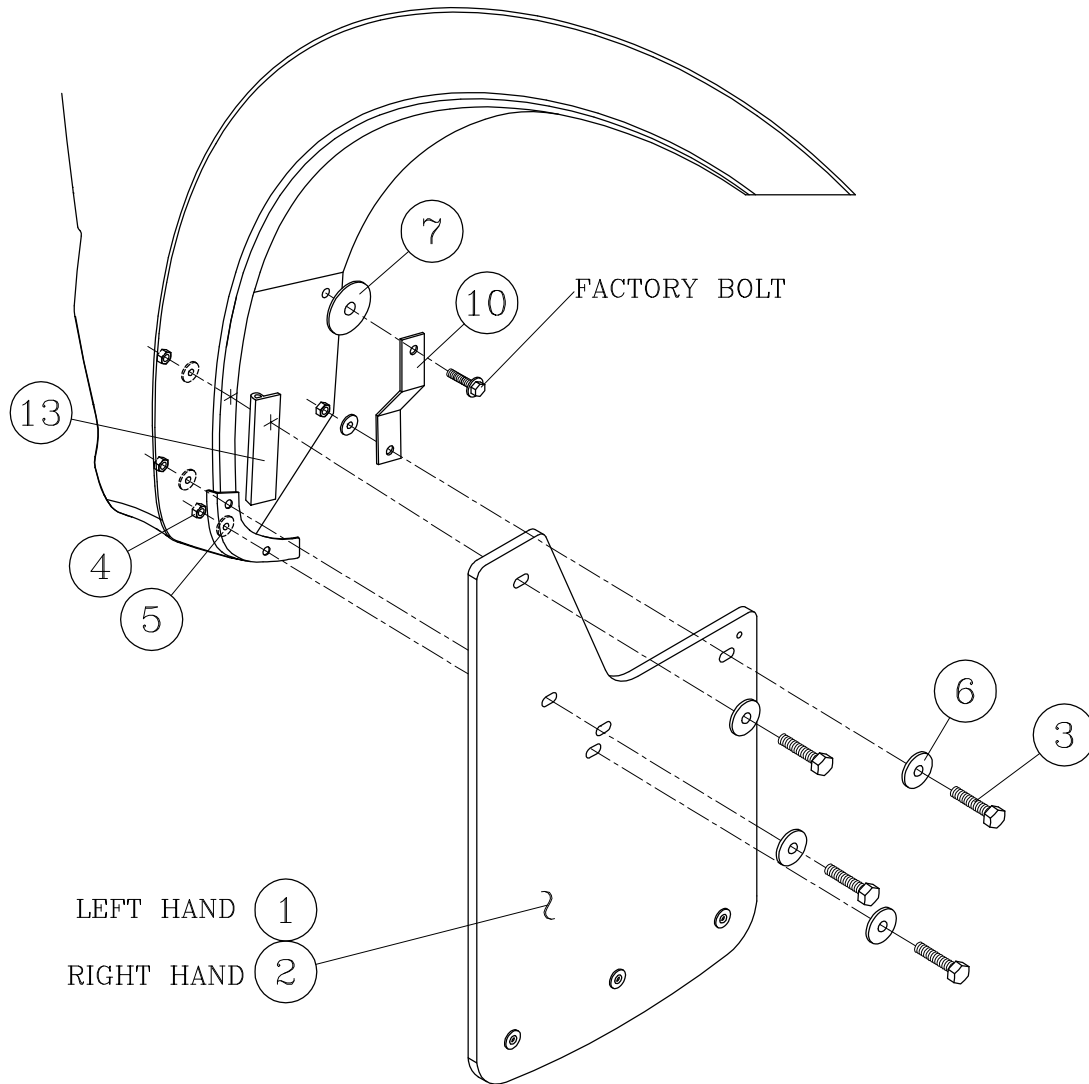


FIG. 2

REAR INSTALLATION
RIGHT (PASSENGER) SIDE SHOWN



DRAWING NOT TO SCALE

552983 SHEET 4 OF 4 20SEP16