

INSTALLATION INSTRUCTIONS AND PARTS LIST

VEHICLE APPLICATION:

MODEL 251660 (12" X 20") & 251663 (12" X 23") FRONT OR REAR MUDGUARDS
2016 AND NEWER NISSAN TITAN PICKUPS

1. READ INSTRUCTIONS COMPLETELY AND CHECK TO MAKE SURE THAT ALL REQUIRED PARTS (LISTED ON SERVICE PARTS LIST) ARE ON HAND BEFORE STARTING THE INSTALLATION.

MOUNTING 251660 / 251663 MUDGUARDS ON THE FRONT OF THE VEHICLE: (SEE FIG. 1)

2. REMOVE THE TWO PHILLIPS HEAD SCREWS ON THE EDGE OF THE WHEEL WELL MOULDING (THESE WILL NOT BE REUSED)
3. REMOVE THE PLASTIC PUSH CLIP FROM THE WHEEL WELL LINER, FROM THE INSIDE OF THE WHEEL WELL LINER INSERT A #8 U-NUT (ITEM # 7) ONTO THE METAL TAB WHICH THE PLASTIC PUSH CLIP WAS REMOVED FROM. **NOTE: IT MAY BE HELPFUL TO REMOVE THE PLASTIC PUSH CLIPS FROM THE TOP OF THE FENDERWELL TO ALLOW MORE ROOM TO INSERT THE U-NUT.**
4. USING A 10-24X.75" SCREW, A 10-24 FLANGE NUT, AND TWO BLACK FENDER WASHERS (ITEMS #4, 5, 6) ATTACH THE MOUNTING BRACKET TO THE MUDGUARD AS SHOWN IN FIG 1. LEAVE FASTENERS LOOSE AT THIS TIME.
5. USING THREE M4.2 X 30MM SEMS SCREWS AND THREE BLACK FENDER WASHERS (ITEMS #3, 6) ATTACH THE MUD GUARD AND MOUNTING BRACKET TO THE VEHICLE AS SHOWN IN FIG 1. LEAVE FASTENERS LOOSE AT THIS TIME.
6. ADJUST THE MUD GUARD SO THAT IT IS LEVEL AND UPRIGHT AND TIGHTEN ALL FASTENERS.
7. REPEAT FOR OPPOSITE SIDE OF VEHICLE.

MOUNTING 251660 / 251663 MUDGUARDS ON THE REART OF THE VEHICLE: (SEE FIG. 2)

8. REMOVE THE LOWER THREE PHILLIPS HEAD SCREWS ON THE OUTER EDGE OF THE WHEEL WELL. **NOTE: DUE TO THE USE OF THREAD LOCKER USED ON THE TOP SCREW IT MAY BE EASIER TO REMOVE THE WHEEL FOR BETTER ACCESS AND AVOID STRIPPING THE SCREW HEAD.**
9. USING TWO M4.2 X 30MM SEMS SCREWS, ONE M6 – 1 X 30MM BUTTON HEAD SCREW, AND THREE BLACK FENDER WASHERS (ITEMS #3, 8, 6) ATTACH THE MUD GUARD AS SHOWN IN FIG 2.
10. ADJUST THE MUD GUARD SO THAT IT IS LEVEL AND UPRIGHT AND TIGHTEN ALL FASTENERS.



PARTS LIST

ITEM	PART NO.	QTY	DESCRIPTION
1	552958	1	MUDGUARD-,12X20, NISSAN TITAN, LH
2	552959	1	MUDGUARD-,12X20, NISSAN TITAN, RH
1	552960	1	MUDGUARD-,12X23, NISSAN TITAN, LH
2	552961	1	MUDGUARD-,12X23, NISSAN TITAN, RH
3	105514	6	SCREW-SEMS, M4.2-1.4 X 30MM
4	103775	2	BOLT-TR HD, 10-24 X.75, SST
5	104261	2	NUT-SERR FLNG, 10-24, SST
6	108521	8	WASHER-FENDER, ¼ X 1, SST, BZP
7	105518	2	NUT, U-TYPE, #8, BLK
8	106640	2	SCREW-BUTTON HEAD, M6-1.0 X 30MM, SST
9	552957	2	BRKT-MTG, FRONT

SERVICE PARTS LIST

MODEL NO. - 251660/251663

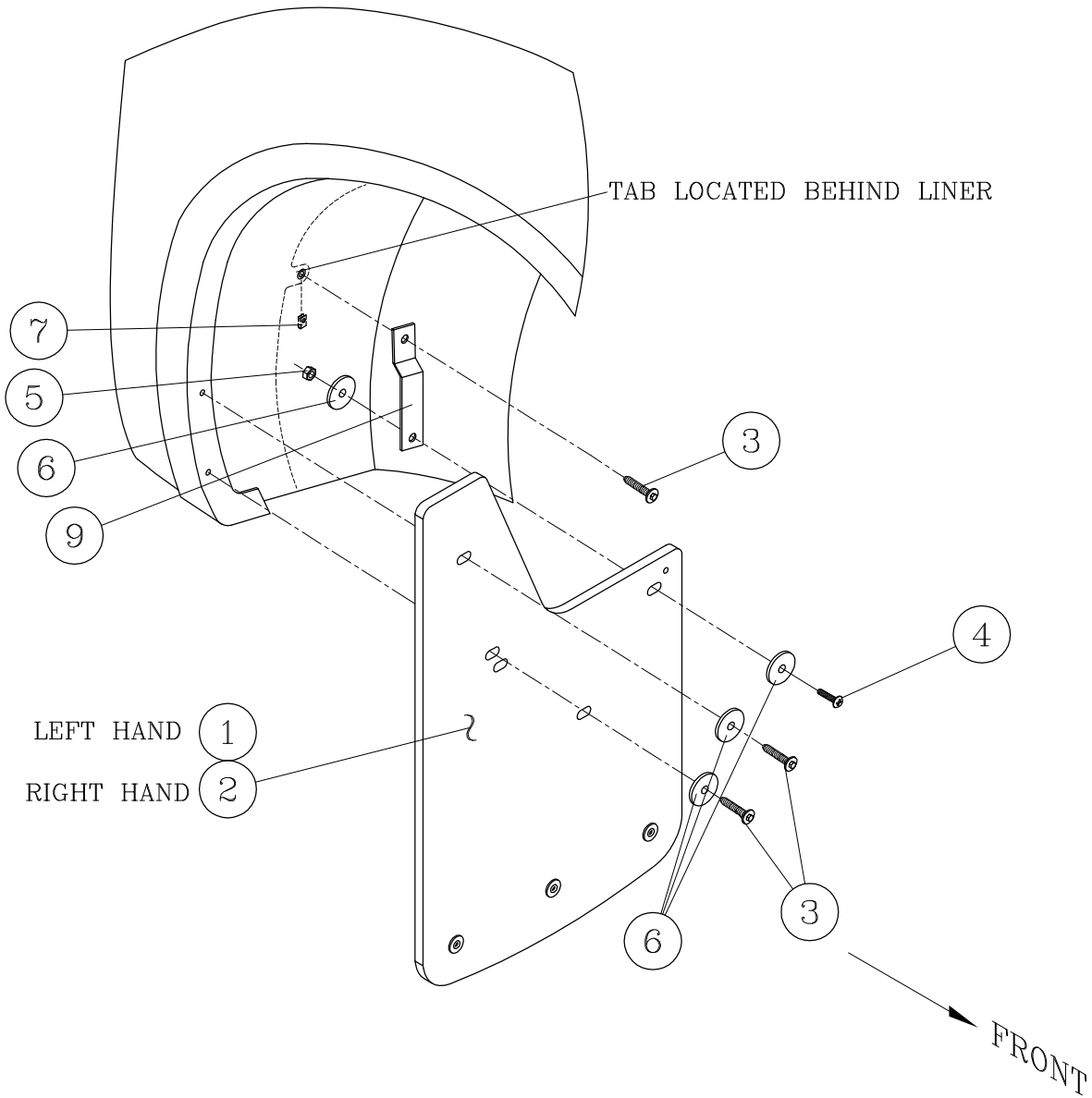


FIG. 1

FRONT INSTALLATION
RIGHT (PASSENGER) SIDE SHOWN



SERVICE PARTS LIST

MODEL NO. - 251660/251663

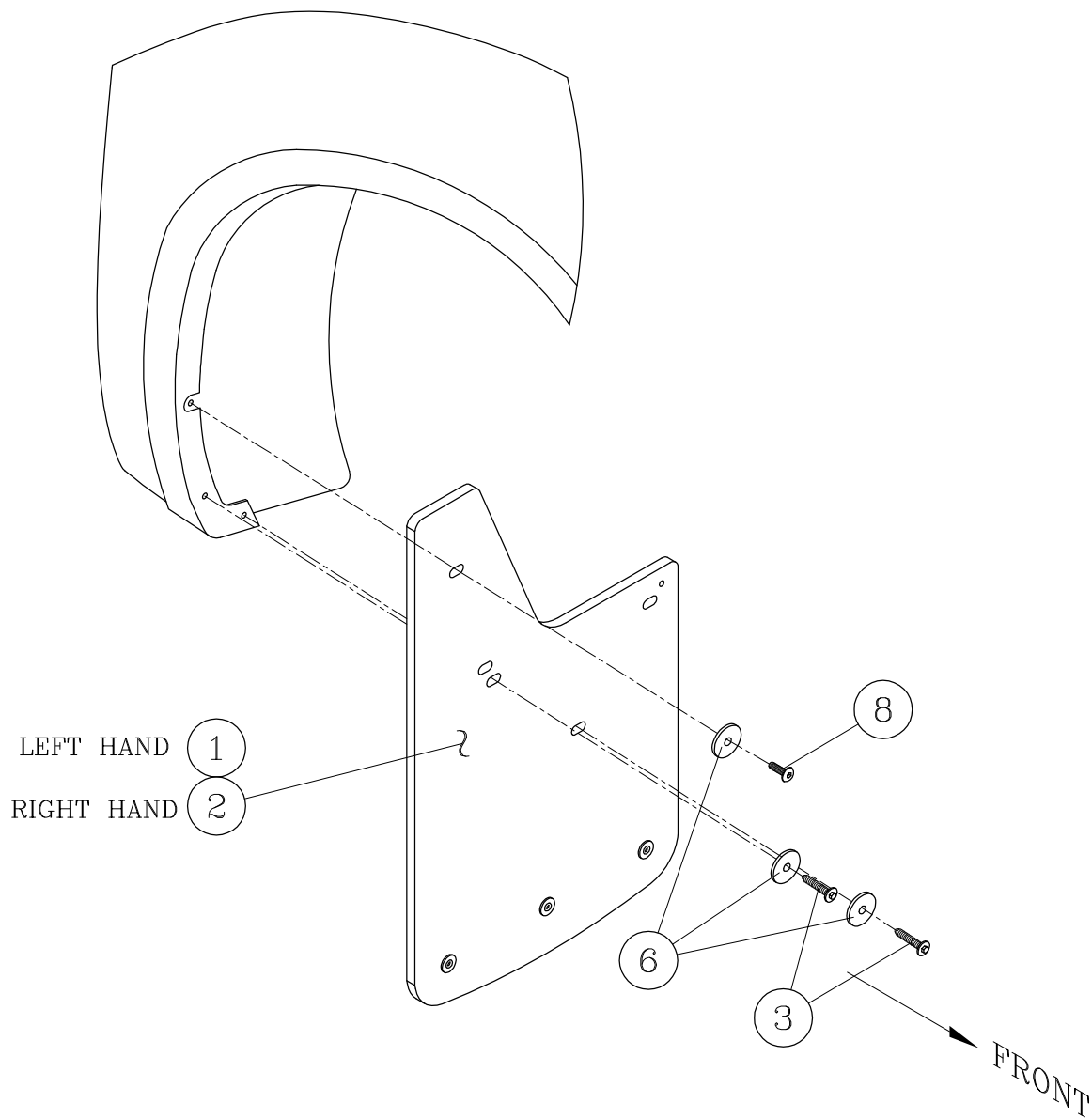


FIG. 2

REAR INSTALLATION
RIGHT (PASSENGER) SIDE SHOWN

