

INSTALLATION INSTRUCTIONS AND PARTS LIST

VEHICLE APPLICATION:

MODEL 251020 (12" X 20") FRONT OR REAR MUDGUARDS W/O SST

MODEL 251023 (12" X 23") FRONT OR REAR MUDGUARDS W/O SST

UNIVERSAL APPLICATIONS FOR SINGLE WHEEL VEHICLES

1. READ INSTRUCTIONS COMPLETELY AND CHECK TO MAKE SURE THAT ALL REQUIRED PARTS (LISTED ON SERVICE PARTS LIST) ARE ON HAND BEFORE STARTING THE INSTALLATION.

MOUNTING MUDGUARDS ON THE FRONT: (SEE SHEET #2)

2. INSTALL THE MUDGUARDS AS FOLLOWS:
 - 2.1. POSITION THE MUDGUARD AGAINST THE WHEEL WELL FLANGE. MOVE THE MUDGUARD IN OR OUT AS DESIRED, LEVEL THE MUDGUARD AND CLAMP THE GUARD TO THE WHEEL WELL FLANGE.
 - 2.2. FASTEN THE MUDGUARD TO THE WHEEL WELL FLANGE BY DRILLING THREE 3/16" DIA. HOLES THRU THE MUDGUARD AND THE CENTER OF THE WHEEL WELL FLANGE. START THE HOLES APPROX. 3/4" FROM THE TOP AND SPACE EQUALLY. FASTEN WITH 1/4 X 3/4 HEX HEAD THREAD FORMING STAINLESS STEEL SCREWS (ITEM #5).

MOUNTING MUDGUARDS ON THE REAR: (SEE SHEET #3)

3. INSTALL THE MUDGUARDS AS FOLLOWS:
 - 3.1. ATTACH THE MOUNTING BRACKETS (ITEM #9) TO THE MUDGUARDS. USE #10 X 3/4" TRUSS HEAD SCREWS (ITEM #6), #10 FLAT WASHERS (ITEM #8) AND 10-24 SERRATED FLANGE NUTS (ITEM #7). (USE THE HOLE IN THE BRACKET THAT BEST LOCATES THE SPLASH GUARD IN THE PREFERRED LOCATION).
 - 3.2. POSITION THE MUDGUARD AGAINST THE WHEEL WELL FLANGE. MOVE THE SPLASH GUARD IN OR OUT AS DESIRED, LEVEL THE SPLASH GUARD, CLAMP THE MUDGUARD TO THE WHEEL WELL FLANGE AND THE TOP OF THE MOUNTING BRACKET TO THE INNER WHEEL WELL FLANGE.
 - 3.3. FASTEN THE MUDGUARD TO THE WHEEL WELL FLANGE BY DRILLING THREE 3/16" DIA. HOLES THRU THE MUDGUARD AND THE CENTER OF THE WHEEL WELL FLANGE. START THE HOLES APPROX. 3/4" FROM THE TOP AND SPACE EQUALLY. FASTEN WITH 1/4 X 3/4 HEX HEAD THREAD FORMING STAINLESS STEEL SCREWS (ITEM #5).
 - 3.4. USING THE HOLE IN THE MOUNTING BRACKET AS A PILOT, DRILL A 3/16" DIA HOLE THRU THE WHEEL WELL PINCH WELD FLANGE AND FASTEN WITH A 1/4" X 3/4" HEX HEAD THREAD FORMING SCREW (ITEM #5).



(A LUVERNE Company)

SERVICE PARTS LIST

MODEL NO. - 251020/251023

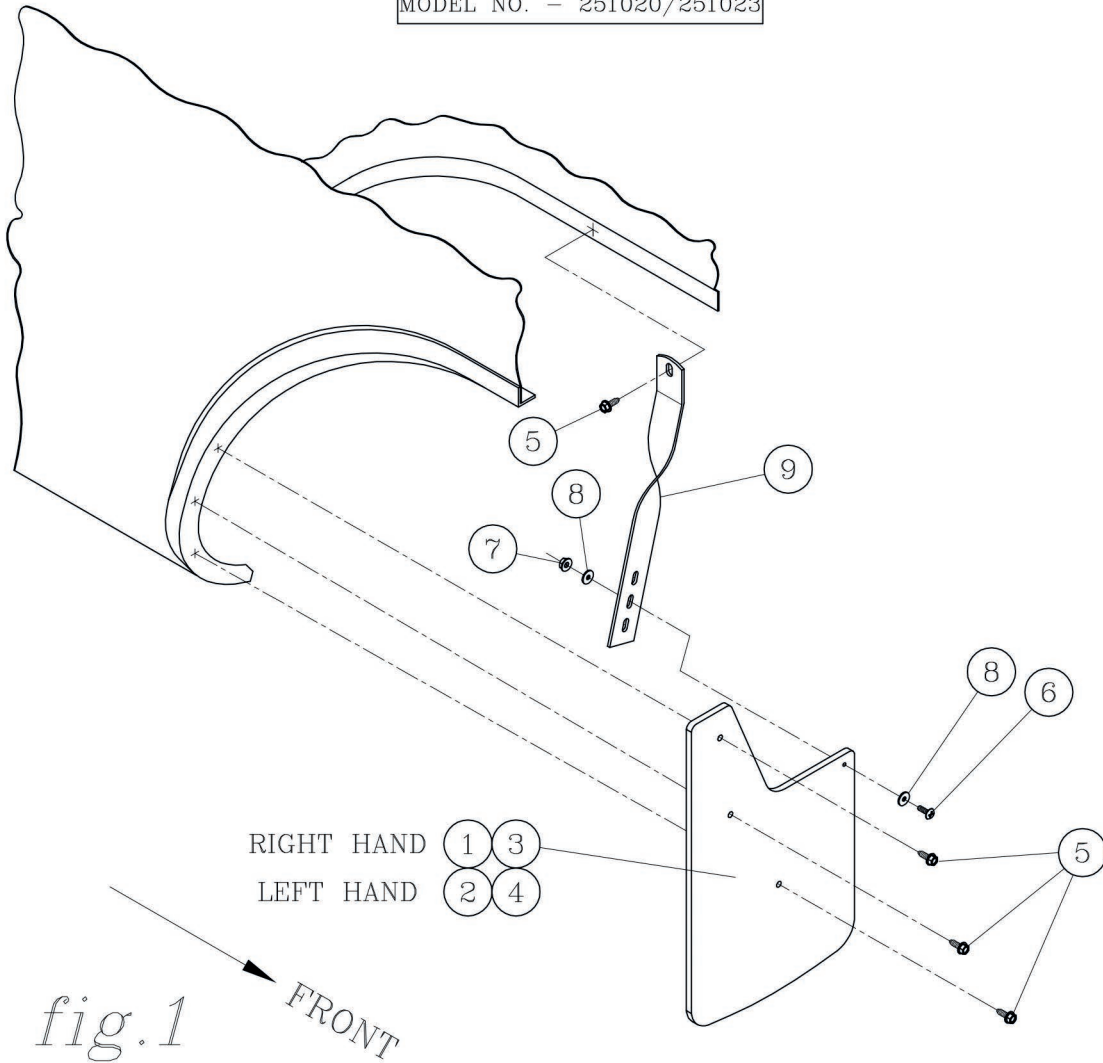


fig.1

RIGHT HAND
LEFT HAND

REAR INSTALLATION

RIGHT (PASSENGER) SIDE SHOWN

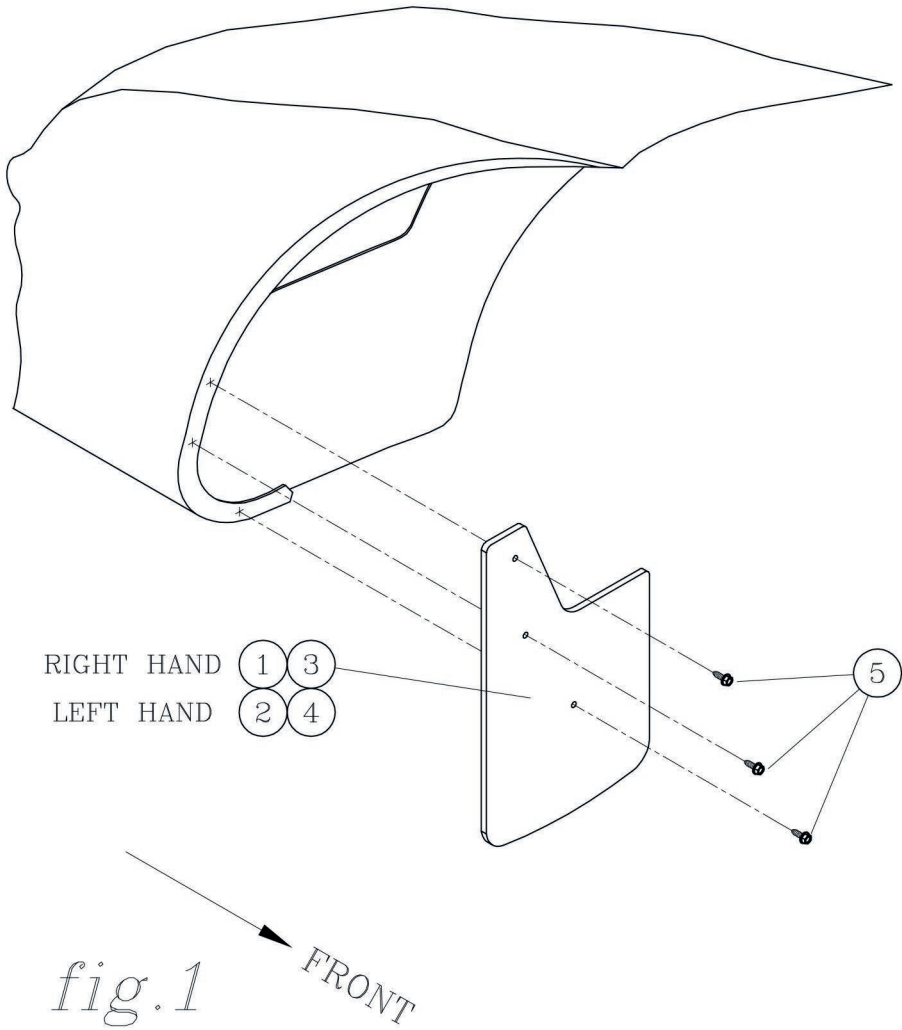
ITEM	PART NO.	QTY	DESCRIPTION
1	550087	1	MUD GUARD RUBBER 12 X 20, RH
2	550088	1	MUD GUARD RUBBER 12 X 20, LH
3	550089	1	MUD GUARD RUBBER 12 X 23, RH
4	550090	1	MUD GUARD RUBBER 12 X 23, LH
5	108449	8	SCREW- SELF TAPPING, SST, 1/4" X 1.0
6	105516	2	SCR-TRUSS HD, #10 X 1.0
7	104261	2	NUT-SERRATED FLANGE HD, SST, 10-24
8	105511	4	WASHER- FLAT, SST, .203 X .625 X .062
9	544060	2	BRACKET-MOUNTING, TWISTED, SPLASHGUARD



(A LIVERNE Company)

SERVICE PARTS LIST

MODEL NO. - 251020/251023



RIGHT HAND
LEFT HAND



fig.1

FRONT

FRONT INSTALLATION
RIGHT (PASSENGER) SIDE SHOWN

ITEM	PART NO.	QTY	DESCRIPTION
1	550087	1	MUD GUARD RUBBER 12 X 20, RH
2	550088	1	MUD GUARD RUBBER 12 X 20, LH
3	550089	1	MUD GUARD RUBBER 12 X 23, RH
4	550090	1	MUD GUARD RUBBER 12 X 23, LH
5	108449	6	SCREW- SELF TAPPING, SST, 1/4" X 1.0

