

Installation Instructions

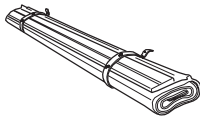
1703138
Rev.1



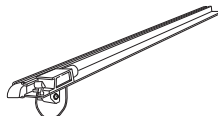
Genesis Roll Up Tonneau Cover

For proper installation and best possible fit, please read all instructions BEFORE you begin.

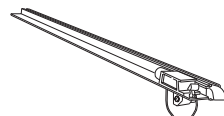
Contents



(A) Cover Assembly



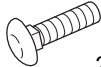
(B) Driver Side Rail



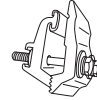
(C) Passenger Side Rail



(D) Flange Nut 2X



(E) Carriage Bolt 2X



(F) Clamp Assembly 6X

Tools Required



7/16"
Combination Wrench




7/16"
Socket



Important



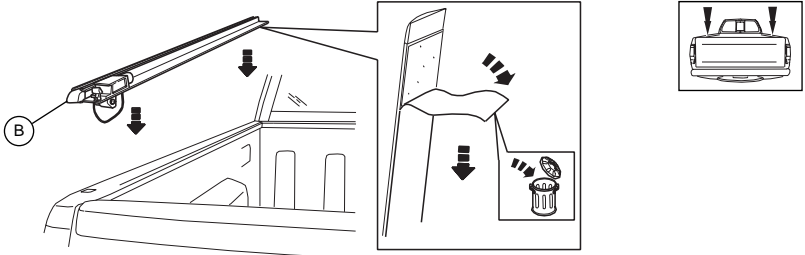
WARNING/CAUTION/NOTE

Please read this manual and follow its instructions carefully. To emphasize special information, the symbol  and the words **WARNING**, **CAUTION** and **NOTE** have special meanings. These special meanings apply except when laws or regulations require that the signal words be used with a different meaning.

Preparation Before Installation

- Wash the upper rail surfaces of the truck bed.
- Be sure to completely dry the upper surfaces of your truck bed before installing your rails.

Installation Steps

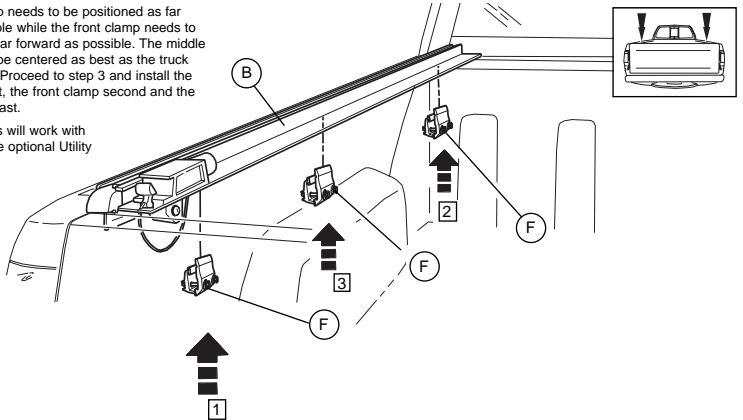


Remove the white backing from the foam on the front and side rails. It will be necessary to release the buckles on the front rail to do this but do not unroll the cover. Re-fasten the buckles once the foam backing is removed. With the tailgate closed, lay the ends of the driver side rail on the truck bed bulkhead and tailgate. The latches are positioned toward the rear and the foamed side of the rail faces the inner side wall of the truck bed.

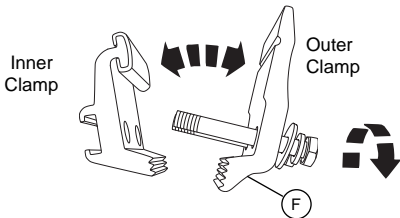
1

The rear clamp needs to be positioned as far back as possible while the front clamp needs to be positioned as far forward as possible. The middle clamp should be centered as best as the truck bed will allow. Proceed to step 3 and install the rear clamp first, the front clamp second and the middle clamp last.

NOTE: Clamps will work with and without the optional Utility Track System.

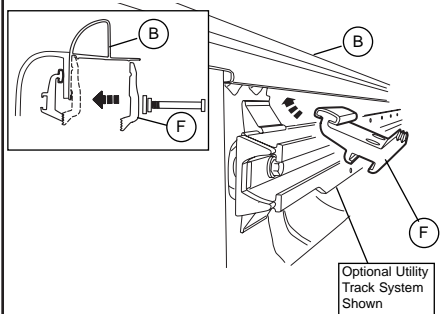


2



Remove clamp bolts and separate clamps as shown.

3

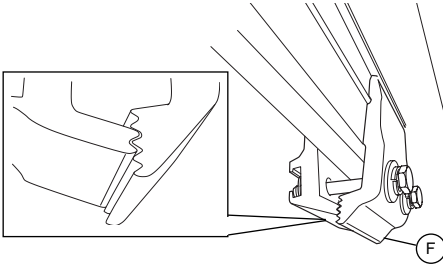


Rotate each inner clamp into position as shown, then install each outer clamp and hardware. The outer clamps mate with the side rails as shown in the sectional view.

4

Installation Steps

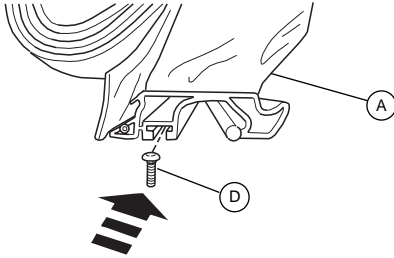
1703138
Rev.1



Position each inner clamp as shown and tighten both bolts on each clamp to 50-60 in. lbs. Clamps should engage as shown.

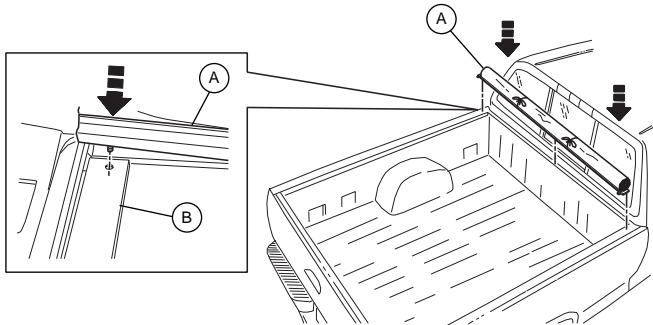
5

Note: Repeat steps 1-5 for Passenger Side Rail.



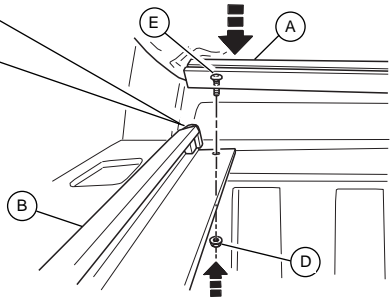
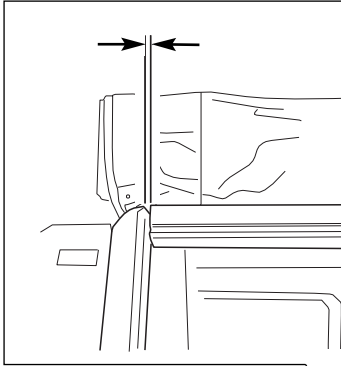
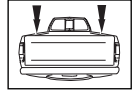
Slide one carriage bolt approx 1/2" into the t-slot at each end of the front rail as shown.

6

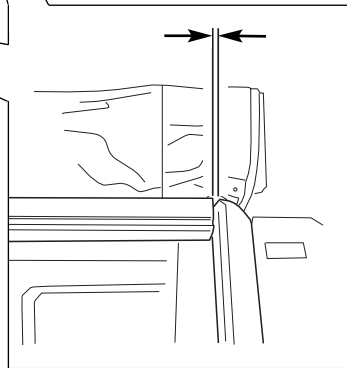
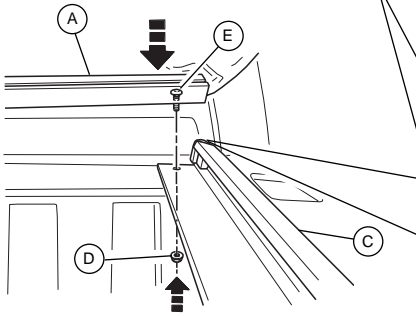


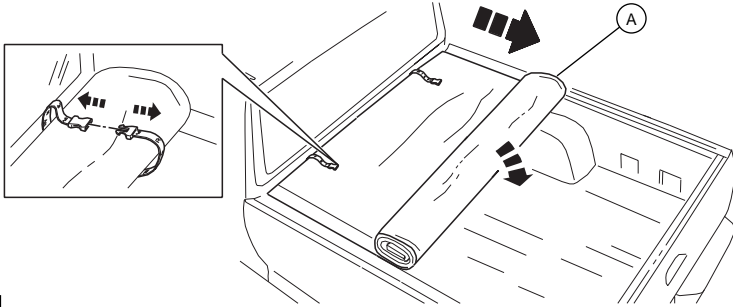
7

Set the cover assembly in place as shown.



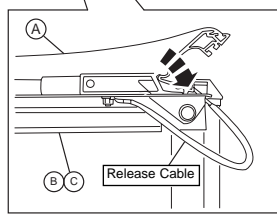
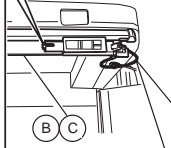
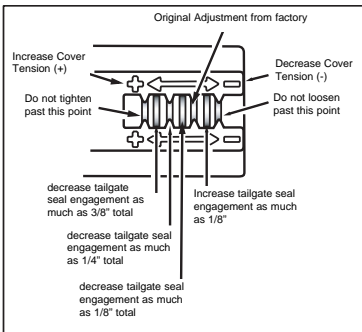
Loosely install the flange nuts as shown.
Position the front rail so the gaps at each end of the front rail are equal.
Tighten both flange nuts.



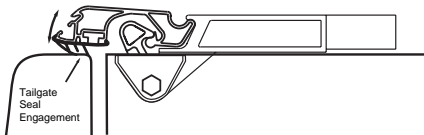


9

Release the buckles and unroll the cover.



Adjusting tension increases or decreases the tailgate seal engagement. Proper tensioning shown above



Engage rear rail to latch assembly and rotate down as shown.

If the cover is too tight, loosen the adjusting bolts evenly on both sides towards the -
If the cover is too loose, tighten the adjusting bolts evenly on both sides towards the +

Note: Proper cover tension is achieved when the rear rail requires moderate pressure to fully latch.





To access the truck bed, pull both release cables and roll cover forward.
Fasten buckle straps to stow cover.

10

Inspection After Installation

1. After installation is complete, confirm proper operation.

Care and Cleaning

1. Wash only with mild soap & dry with a clean cloth.
2. Avoid the use of automatic "brush - style" car washes.
3. Do not use cleaning solvents of any kind.
4. Periodically check the cover tension and all components for tightness.
Refer to step 12 for cover tension adjustment.
-  5. Do not use release cables as handles.
-  6. Do not pull on release cables to enter truck bed.
-  7. Do not use any part of this tonneau as a tie down.
-  8. Do not drive with the cover un-secured.

Congratulations!

You have purchased one of the many quality products offered by Lund. We take the utmost pride in our products and want you to enjoy years of satisfaction from your investment. We have made every effort to ensure that your product is top quality in terms of fit, durability, finish and ease of installation.