

Installation Instructions

LUND®

Premium Style. Lasting Performance.

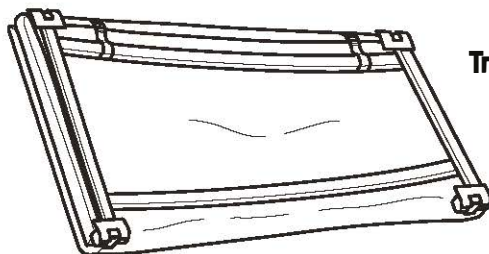
Genesis™ and Genesis Elite™ Tri-Fold Tonneau Cover

For proper installation and best possible fit, please read all instructions **BEFORE** you begin.

Important Safety Information

- ⚠️ • Serious personal injury and property damage can occur if vehicle is driven without both black buckles at the front of cover fastened.
- Prior to vehicle operation, clamps must be secured such that the clamp lips tightly grip the inner bedwall structure.
- Only release buckles when fully installing cover.
- After a settling period (1 week) it may be necessary to readjust the clamp load after foam isolators take a set to maintain the uniform gap between the Genesis™ Tri-Fold Tonneau cover and bed rails.
- Check the bracket clamp loads every 3 months or 5,000 miles.
- Genesis™ Tri-Fold Tonneau cover must be closed or secured with straps while the vehicle is in motion.

Contents NOTE: Actual product may vary from illustration.



Tri-Fold Cover Assembly

Tools Required



Car Wash Supplies



Clean Towel

Preparation Before Installation

- Wash the upper rail surfaces of the truck bed.
- Be sure to completely dry the upper surfaces of your truck bed before installing the tonneau cover.

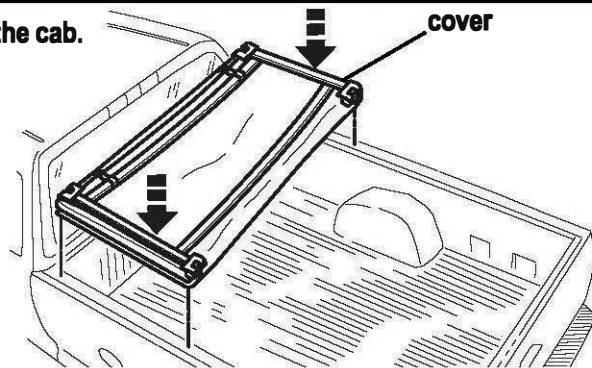
Installation Steps

NOTE: Actual application may vary slightly from illustrations.

El uso

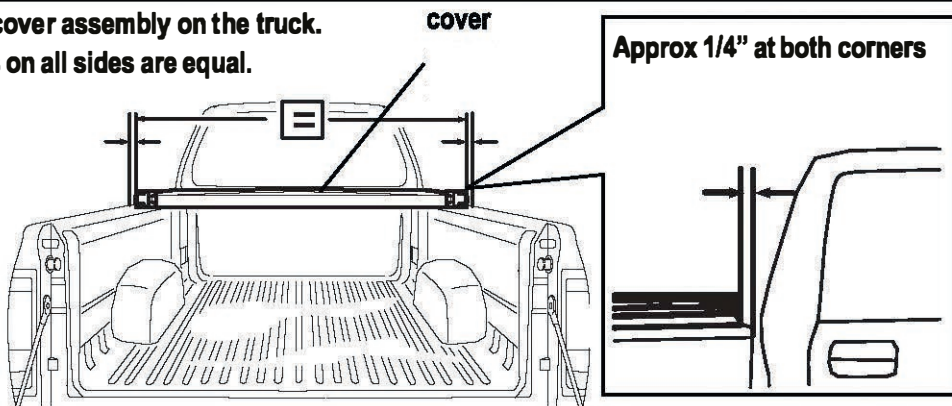


Place the cover assembly on the top of the truck bed next to the cab.



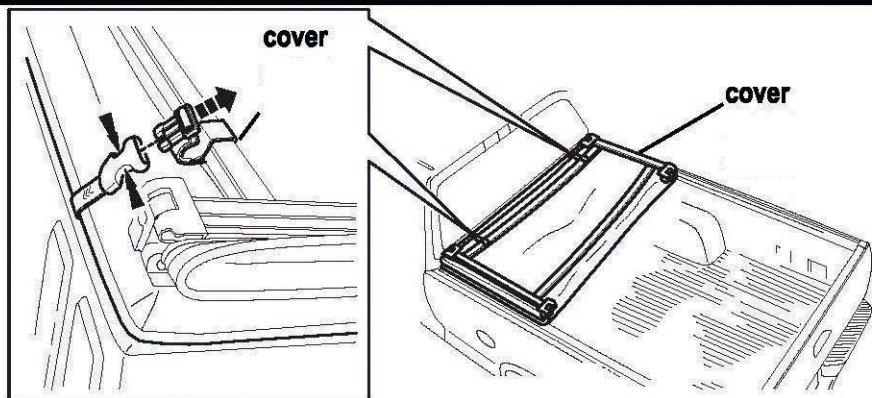
1

Line up to front of bed first. Center the cover assembly on the truck. Position the cover assembly so the gaps on all sides are equal.



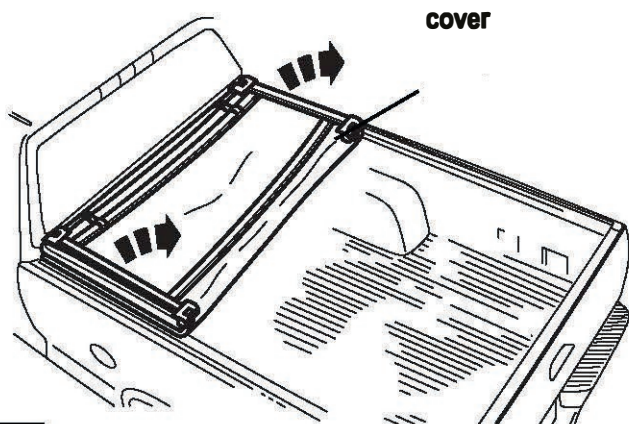
2

The cover has retaining straps with quick-release buckles to keep it from being damaged when bulk hauling or when it is not on the vehicle.



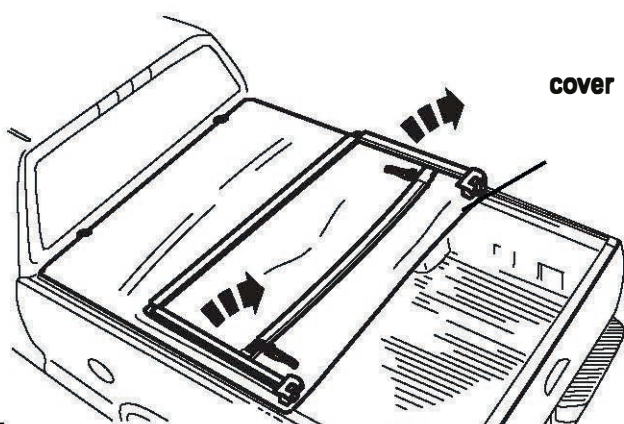
3

Unfold second section of cover.



4

Unfold third section of cover.

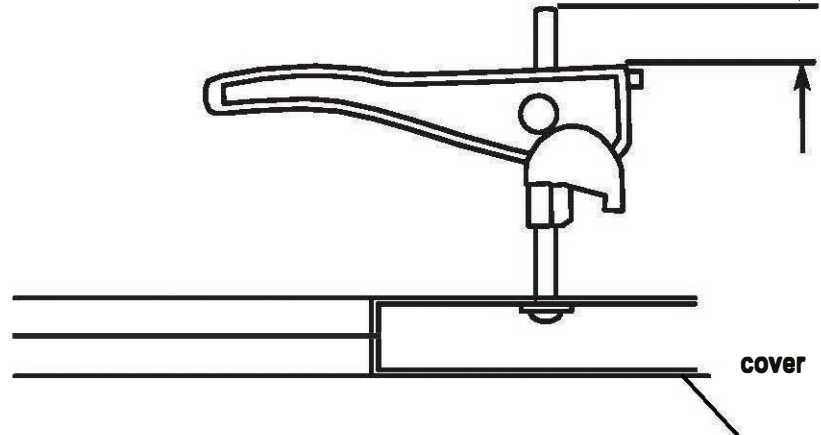


5

Installation Steps

Pre-load clamps prior to installation of Tonneau cover to avoid unnecessary adjustment. Measure from top rod to base of clamp as depicted in graphic.

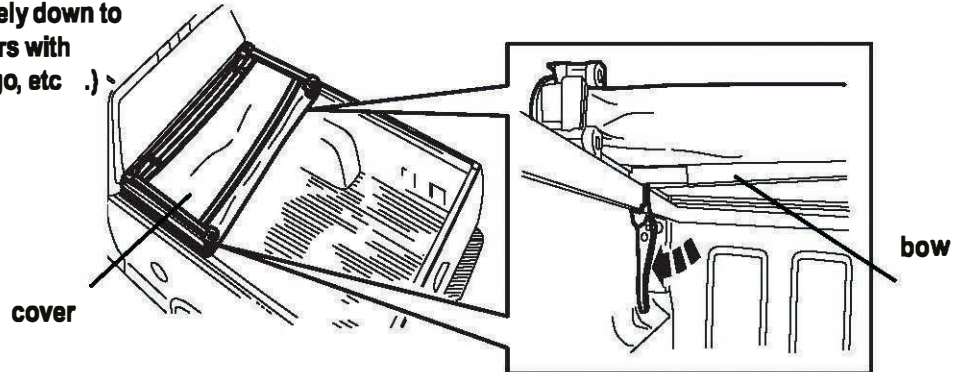
15mm Rear Clamps
17mm Front Clamps
-or-
.59" Rear Clamps
.67" Front Clamps



6

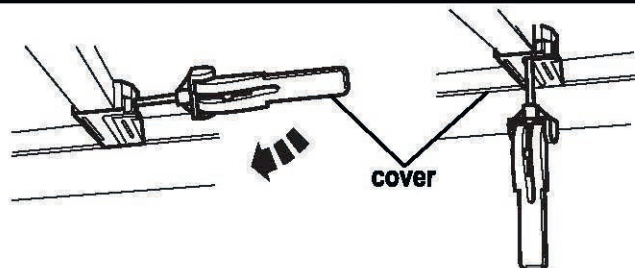
Securing Front Clamps - Fold Cover Forward

NOTE: Clamp handle must rotate completely down to the stop to be locked. If something interferes with the handle (bed liner, bed extender or cargo, etc.) it must be modified or removed.



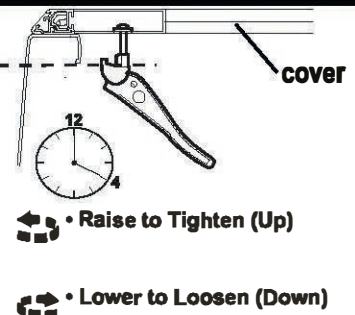
7

Rotate each clamp down from its storage position.



8

Adjust clamps to proper height. Make sure that the inner bedwall structure and clamp lid are aligned as shown by dashed line. Handle height should be adjusted, such that, the clamp contacts the bed rail flange while the handle is in the 4 o'clock (LH) or 8 o'clock (RH) position.

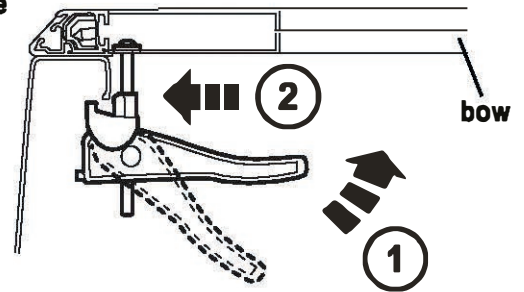


9

Installation Steps

Securing Front Clamps - Fold Cover Forward(Cont.)

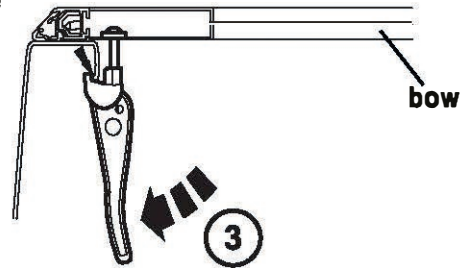
Rotate handles back up and slide clamps to edge of truck bed as shown. For ease of sliding outward, the latch handle should be in this position until the clamp engages the bed flange.



Reverse process for folding and stowing cover. |

10

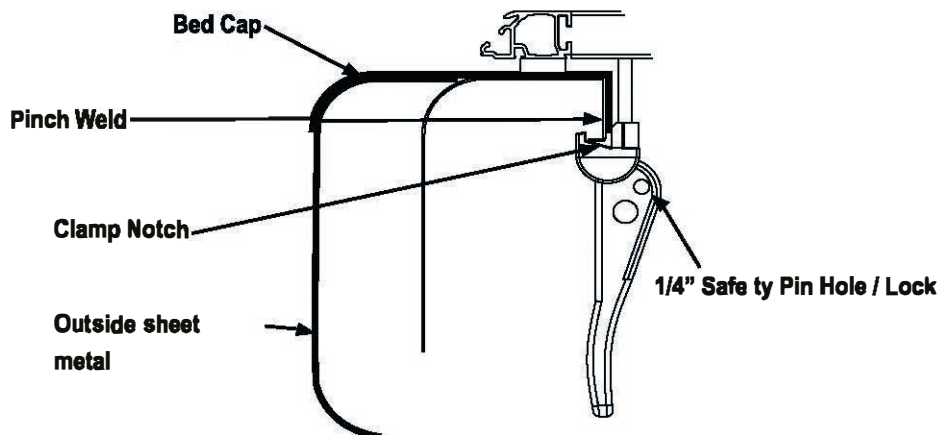
Rotate clamps to locking position. Repeat for opposite side. Note: A light to moderate force should be felt when latching to the truck bed. The latches should NOT be loose when in the LOCKED POSITION.



Reverse process for folding and stowing cover.

11

After clamping Tonneau inspect clamps to make sure the pinch weld is seated properly in the notch on the clamp. Trim the bed cap at the clamp location if it tends down past the metal.

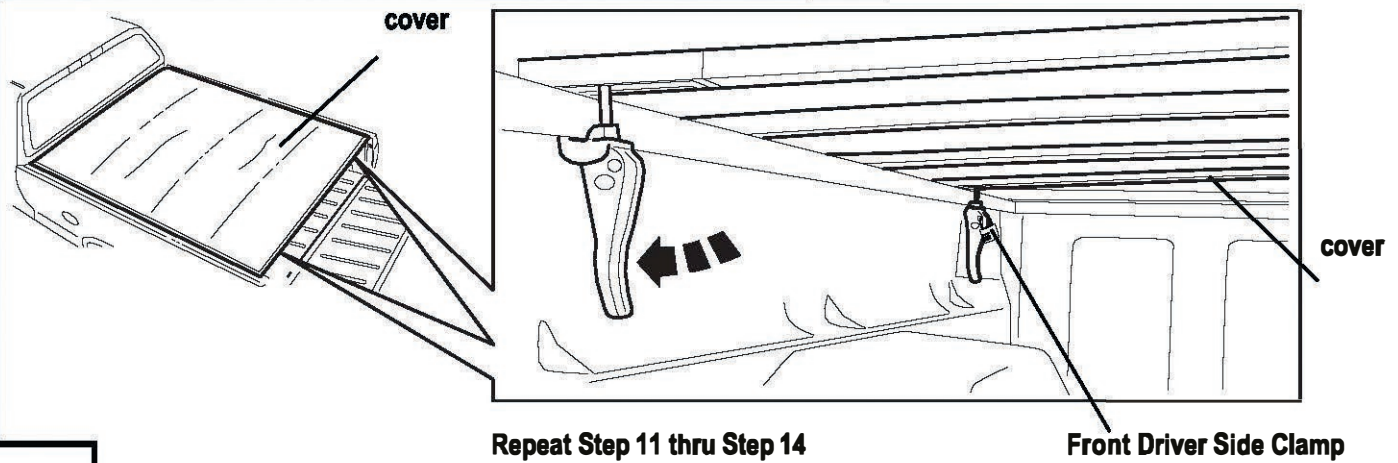


If traveling with the Tonneau in the folded position it is recommended to use a safety pin or lock in the front clamps.

12

Installation Steps

Securing Rear Clamps - Fold Cover Rearward

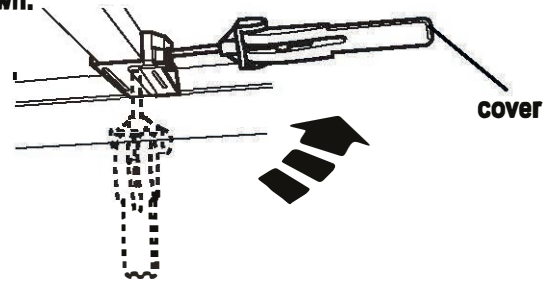


13

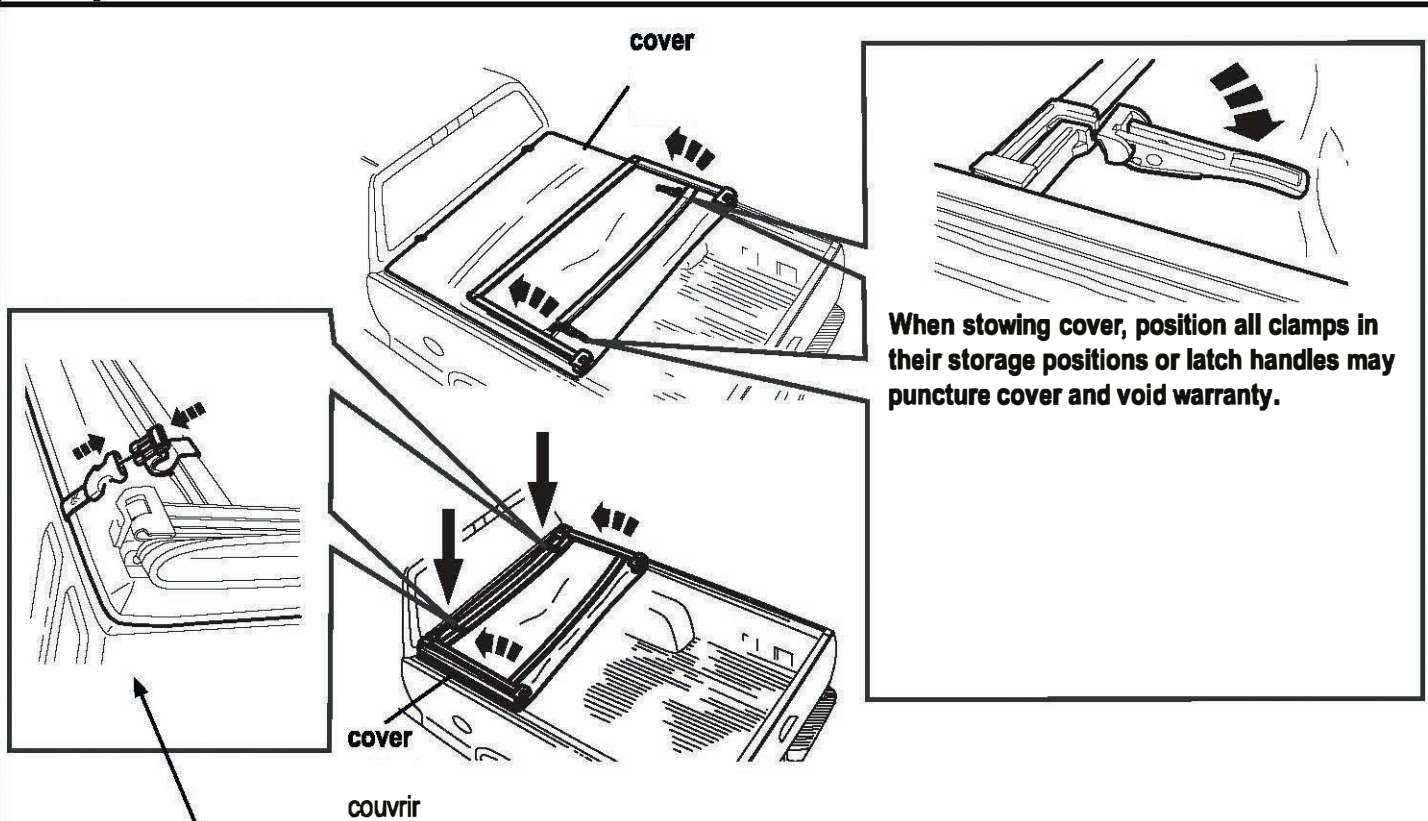
Unlatching and Securing Latches for Folding and Stowing Cover

Rotate clamp up from its install position into its storage position as shown.

Make sure that latch handle matches illustration on bow caution label.



14



15

The retaining straps must be buckled when vehicle is in motion if Tonneau is in the folded position.

Installation Steps

Care and Cleaning

- Wash with mild soap and d with a clean cloth.

Congratulations!

You have purchased one of many quality products offered by Lund ® branded products offered by Lund International, Inc. We take the utmost pride in our products and want you to enjoy years of satisfaction from your investment. We have made every effort to ensure that your product is top quality in terms of fit, durability, finish and ease of installation.