

Installation Instructions

LUND®

Premium Style. Lasting Performance.

Genesis™ and Genesis Elite™ TriFold Tonneau Cover

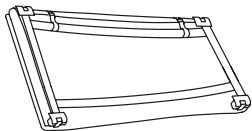
For proper installation and best possible fit, please read all instructions BEFORE you begin.

Important Safety Information



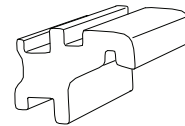
- Serious personal injury and property damage can occur if vehicle is driven without both black buckles at the front of cover fastened.
- Prior to vehicle operation, clamps must be secured such that the clamp lips tightly grip the inner bedwall structure.
- Only release buckles when fully installing cover.
- After a setting period (1 week) it may be necessary to readjust the clamp load after foam isolators take a set to maintain the uniform gap between the Genesis™ Tri-Fold Tonneau cover and bed rails.
- Check the bracket clamp loads every 3 months or 5,000 miles.
- The Genesis™ Tri-Fold Tonneau cover must be closed or secured with straps while the vehicle is in motion.

Contents **NOTE: Actual product may vary from illustration.**



Tri-Fold Cover Assembly

(A)

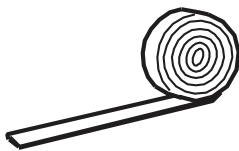


(B)

4 x Adapter

For Utility Tack Equipped Vehicles Only

Hardware maybe packed in tube dunnage. Check dunnage for hardware before discarding.



Foam Tape

(C)

Tools Required



Car Wash Supplies



Clean Towel

Preparation Before Installation

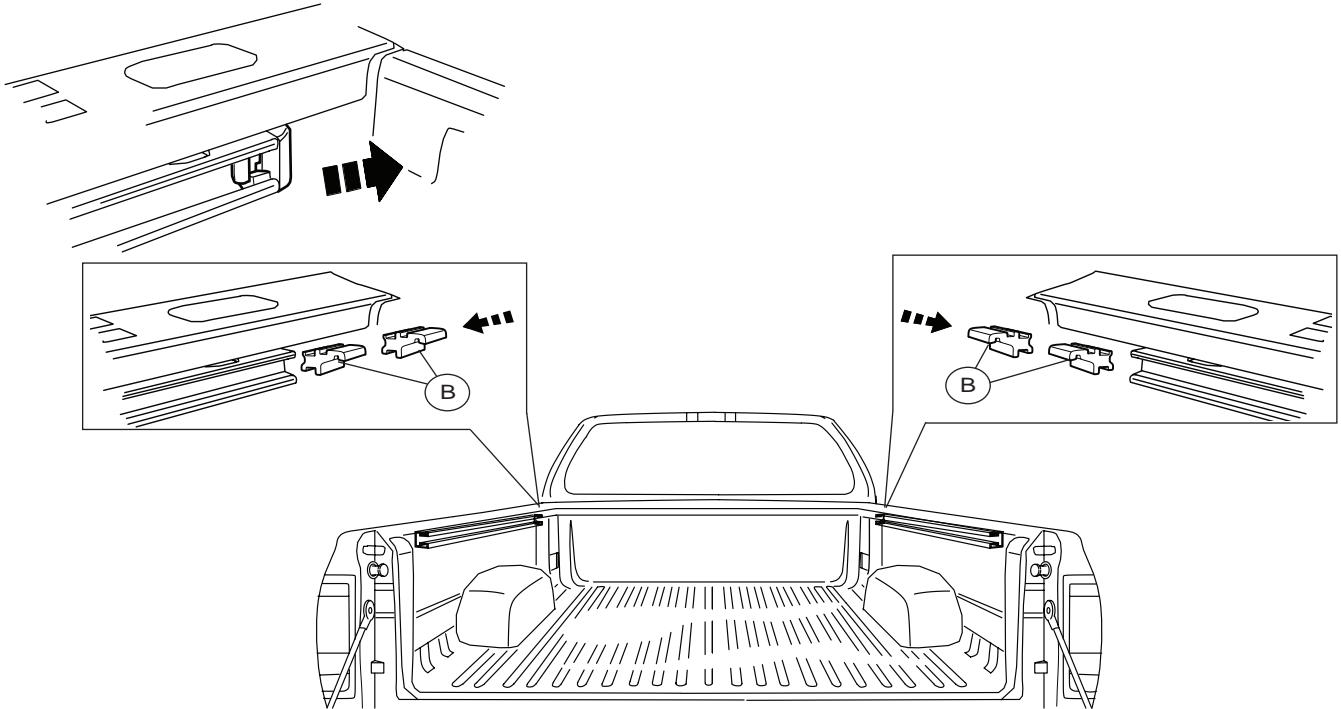
- Wash the upper rail surfaces of the truck bed.
- Be sure to completely dry the washed surfaces before installing the tonneau cover.

NOTE: Actual application may vary slightly from illustrations.

Installation Steps

Vehicles Equipped with Utility Tracks

Follow the manufacture's instructions for removing the plastic utility track caps from the front of both side tracks.



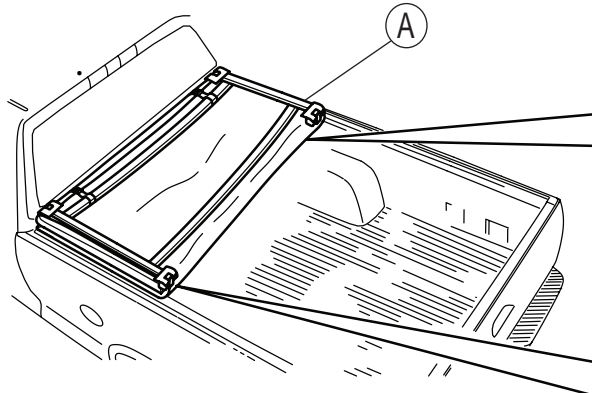
Insert 2 adapters (item B) into each bed sidewalk track as shown and re-install caps.

NOTE: The adapters (item B) will be positioned along the tracks in step 2.

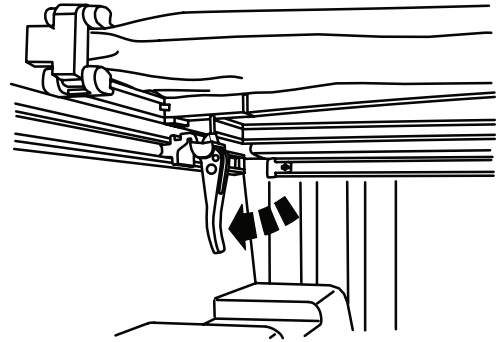
Installation Steps

NOTE: Actual application may vary slightly from illustrations.

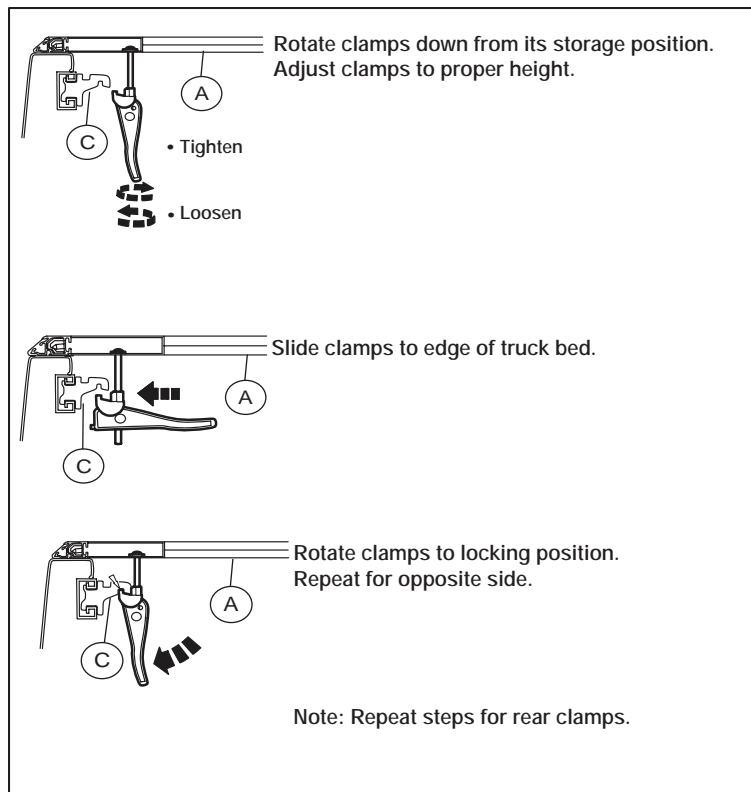
Secure both front clamps. Secure both rear clamps.



NOTE : Front clamps shown, rear clamps similar.



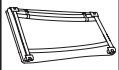
Slide the adapters (item B) in each track until they are approximately centered to the cover clamp locations.



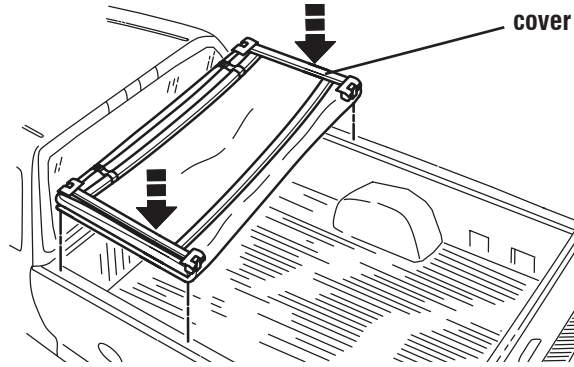
Warning: Prior to vehicle operation, clamps must be secured such that the clamps' lips are properly aligned with and tightly grip the utility track adapters (item B).

Installation Steps

NOTE: Actual application may vary slightly from illustrations.

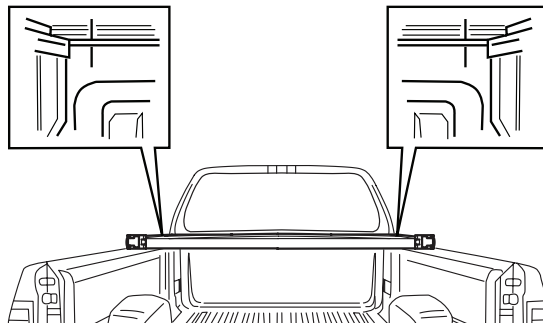


Place the cover assembly on the top of the truck bed next to the cab.



3

If a gap exists between the cover and the bulkhead, proceed to Step 5. If not proceed to Step 7.



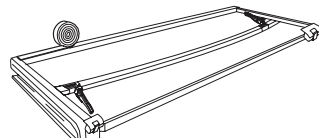
4



Make sure there is no dust or debris on the front rail. Turn cover over, apply supplied foam tape to front rail of cover and trim to fit. Flip cover over and place on truck as shown in Step 1, then proceed to Step 5.

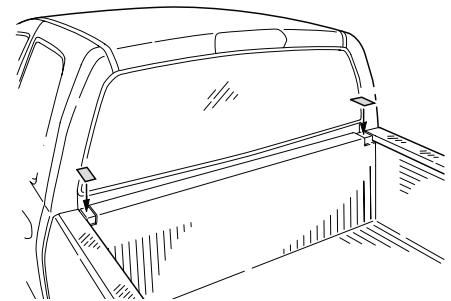


Apply to trucks WITH bedliner. Will not work with over the rail bedliners.



5

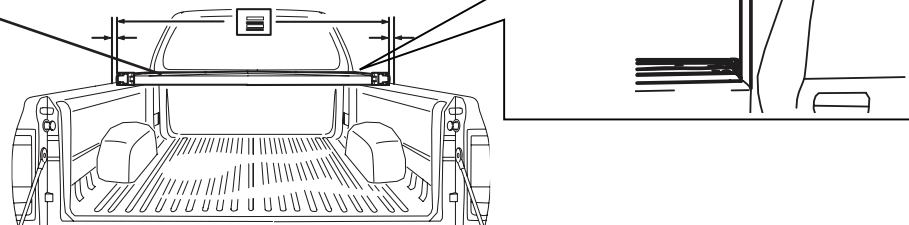
6



Line up to front of bed first. Center the cover assembly on the truck. Position the cover assembly so the gaps on all sides are equal.

cover

Approx 1/4" at both corners



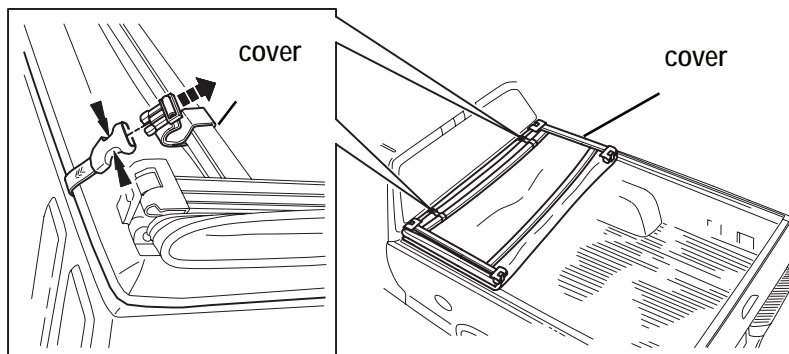
7

Installation Steps

NOTE: Actual application may vary slightly from illustrations.

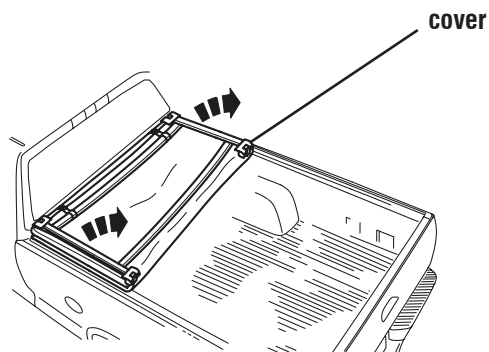
The cover has retaining straps with quick-release buckles to keep it from being damaged when bulk hauling or when it is not on the vehicle.

8



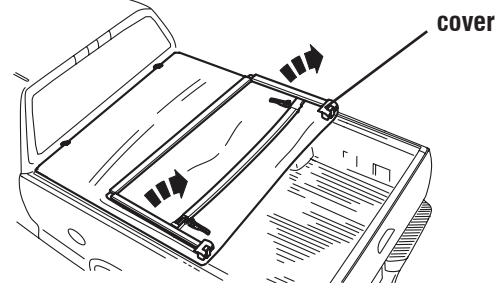
Unfold second section of cover.

9



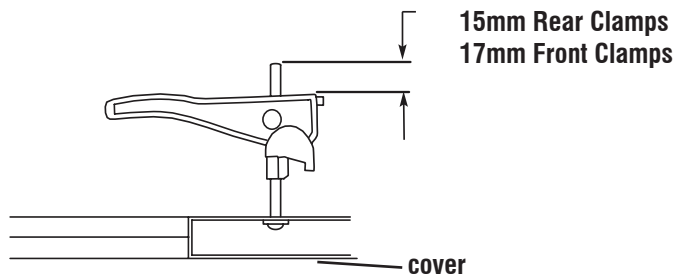
Unfold third section of cover.

10



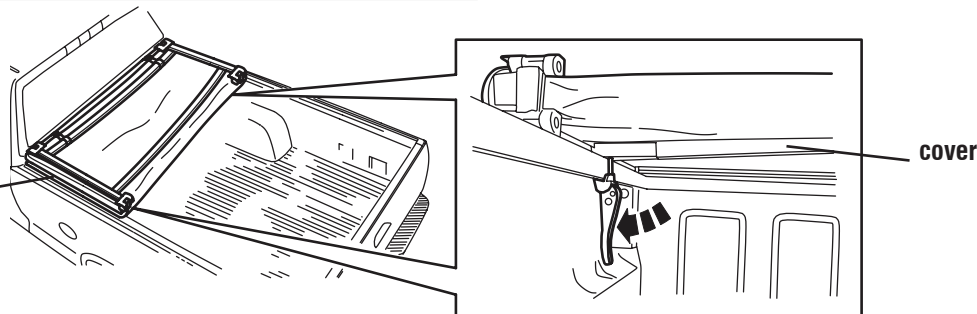
Pre-load clamps prior to installation of Tonneau cover to avoid unnecessary adjustment. Measure from top of rod to base of clamp as depicted in graphic.

11



Securing Front Clamps - Fold Cover Forward

cover



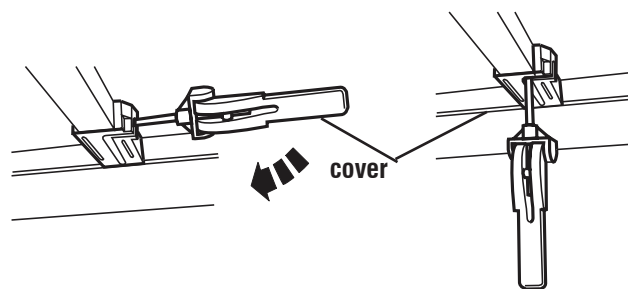
NOTE: Clamp handle must rotate completely down to the stop to be locked. If something interferes with the handle (bed liner, bed extender or cargo, etc.) it must be modified or removed.

12

Installation Steps

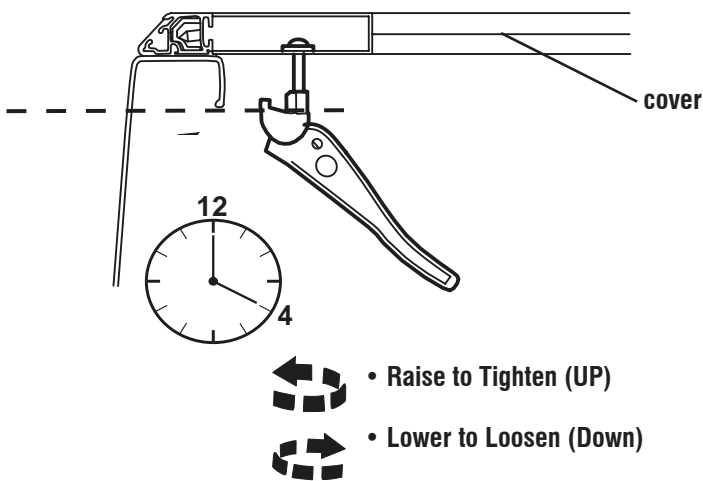
NOTE: Actual application may vary slightly from illustrations.

Rotate each clamp down from its storage position.



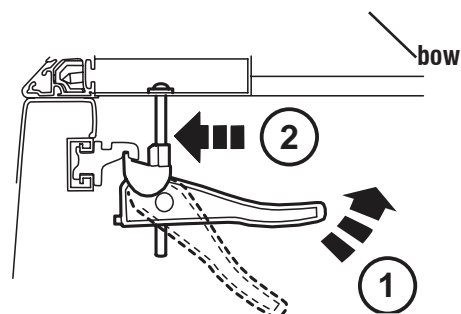
13

Adjust clamps to proper height. Make sure that the inner bedwall structure and clamp lid are aligned as shown by dashed line. Handle height should be adjusted, such that, the clamp contacts the bed rail flange while the handle is in the 4 o'clock (LH) or 8 o'clock (RH) position.



14

Rotate handles back up and slide clamps to edge of truck bed as shown. For ease of sliding outward, the latch handle should be in this position until the clamp engages the bed flange.



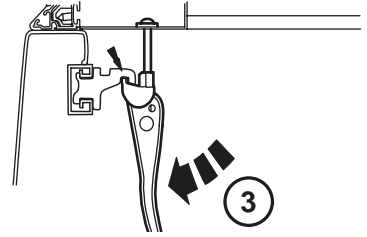
Reverse process for folding and stowing cover.

15

Installation Steps

NOTE: Actual application may vary slightly from illustrations.

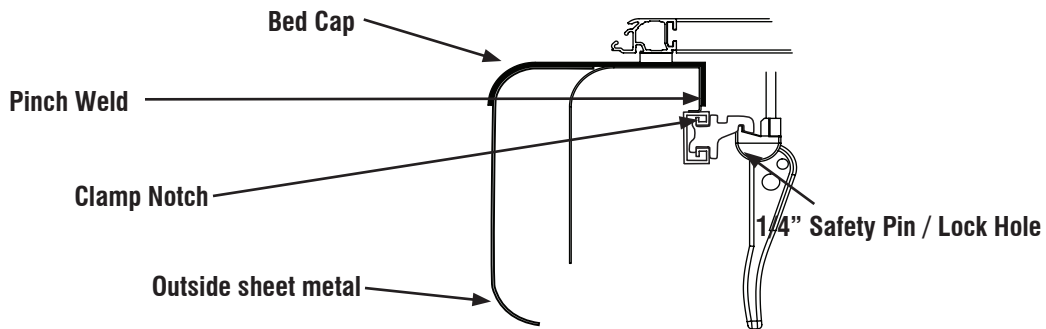
Rotate clamps to locking position. Repeat for opposite side. Note: A light to moderate force should be felt when latching to the truck bed. The latches should NOT be loose when in the LOCKED POSITION.



Reverse process for folding and stowing cover.

16

After clamping Tonneau inspect clamps to make sure the pinch weld is seated properly in the notch on the clamp. Trim the bed cap at the clamp location if it extends down past the metal.

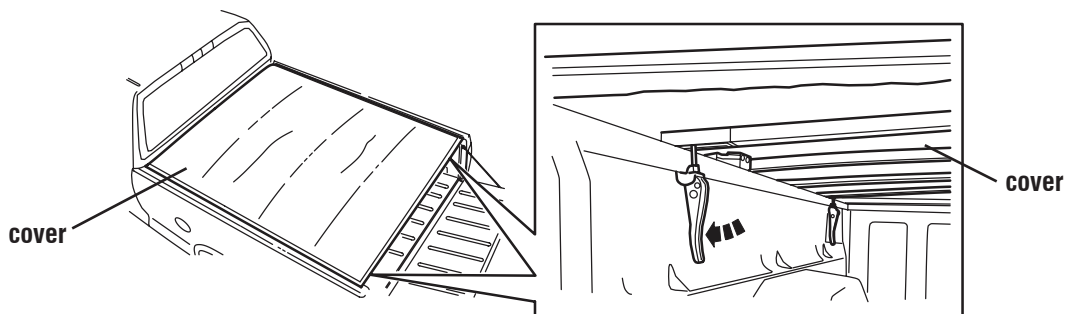


If traveling with the Tonneau in the folded position it is recommended to use a safety pin or lock in the front clamps.

17

Securing Rear Clamps - Fold Cover Rearward

Repeat Step 13 thru Step 16



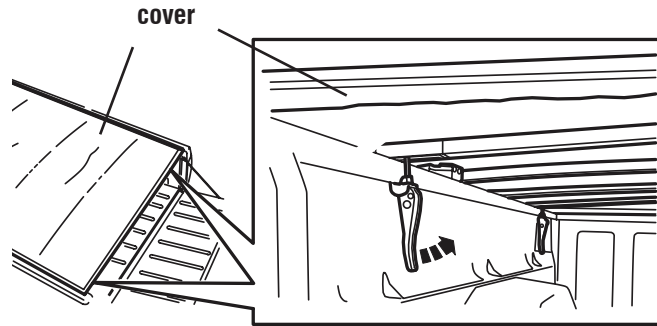
18

NOTE: Actual application may vary slightly from illustrations.

Installation Steps

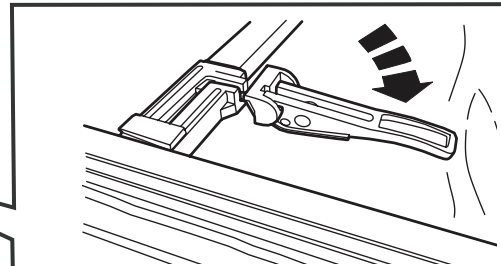
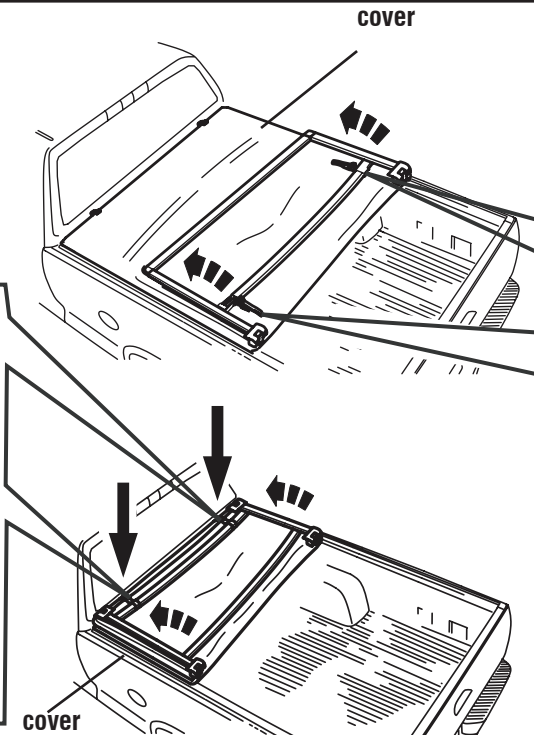
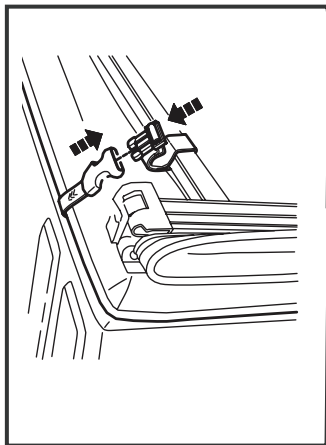
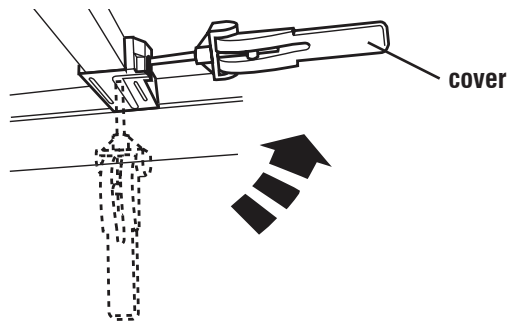
Unlatching and Securing Latches for Folding and Stowing Cover

19



Rotate clamp up from its install position into its storage position as shown left. Make sure that latch handle matches illustration on bow caution label.

20



When traveling with tonneau in the folded position the two rear clamps must be in there storage position so the latch handles do not puncture the cover and void the warranty.

21

The retaining straps must be buckled when vehicle is in motion if Tonneau is in the folded position.

Care and Cleaning

- Wash only with mild soap & dry with a clean cloth.
- Avoid the use of automatic “brush-style” car washes.
- Do not use cleaning solvents of any kind.
- Pressure car washes are okay as long as you hold the wand no closer than two feet from the cover.
- We recommend the same quality products normally used for vinyl tops to keep the cover clean. When using a protectant, be sure that it is water based.

Congratulations!

You have purchased one of the many quality Lund[®] branded products offered by Lund International, Inc. We take the utmost pride in our products and want you to enjoy years of satisfaction from your investment. We have made every effort to ensure that your product is top quality in terms of fit, durability, finish and ease of installation.