

Installation Instructions

® I - Sheet Number LUND 10768

LUND OE Style No Drill Bracket

For proper installation and best possible fit, please read all instructions BEFORE you begin.

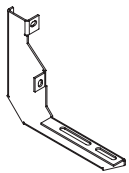
Important Safety Information



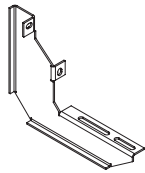
- To be used with Lund® branded products only.
- Do not stand on Lund running board or bracket while vehicle is in motion.
- Do not exceed 350 lbs. weight on the Lund bracket system.
- Do not use the brackets as a jacking point for the vehicle.
- Do not use the bracket system or running boards to fasten cargo.
- Periodically check all components for tightness.
- Be sure to wear safety glasses while installing brackets.
- When using power tools, read and understand all operating instructions.

Contents

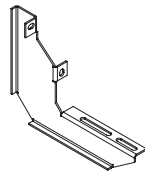
NOTE: Actual product may vary from illustration.



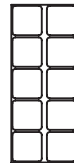
Front Bracket
(M-3304) (2)
OR (M-3305) (2)



Center Bracket
(M-3306) (2)
OR (M-3307) (2)



Rear Bracket
(M-3306) (2)
OR (M-3307) (2)



P-1032



Flange Nut
8mmx12

Tools Required



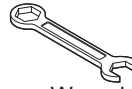
Torque Wrench



Safety Glasses



Socket Wrench



Wrench



Socket Set



Stanley Knife

Preparation Before Painting / Installation

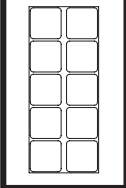
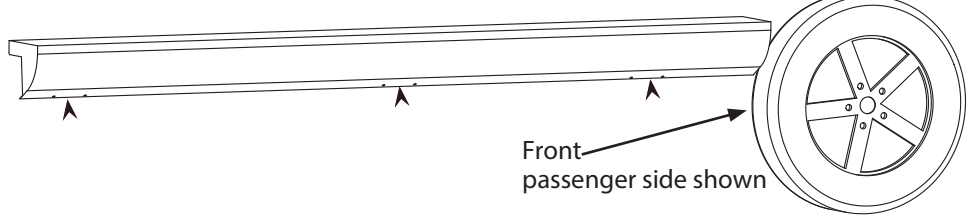
- Park your vehicle in a clean, level location. Check to make sure the vehicle is in park, or for manual drive models, place the transmission in first gear. Engage the parking brake.
- Unpack the bracket kit and identify the parts according to the content descriptions.
- A trial fit is recommended to ensure proper positioning and fit.
- Check fit of parts before painting as we will not accept the return of modified or painted parts.

Installation Steps

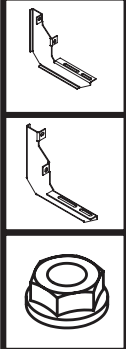
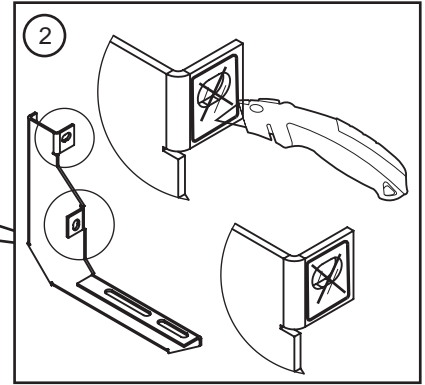
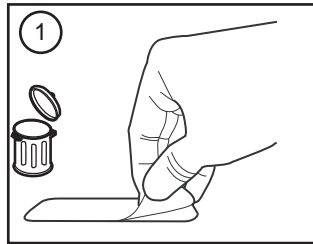
NOTE: Actual application may vary slightly from illustrations.

Identify the mounting locations for each bracket by looking under the vehicle and finding the holes in the pinch weld.

1



Peel plastic then apply to bracket as shown in the image above. Cut through the plastic with blade as shown in the image.

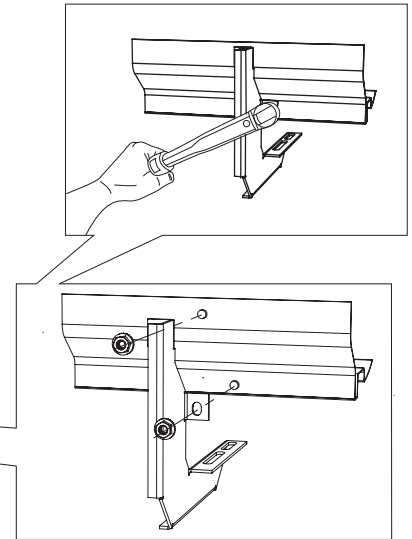
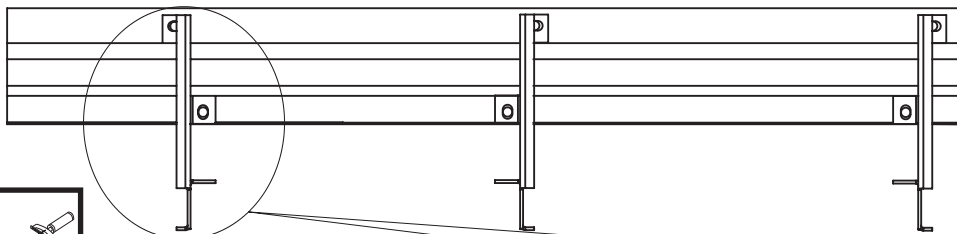


Begin bracket installation by locating bracket on inner rocker panel so that the hole in the bracket lines up with the bolt sticking out of the rocker panel (M-3304 or M-3305 goes in front locations, M-3306 or M-3307 Center in the center & rear locations). Use the nuts given in the kit to bolt the bracket on to the rocker



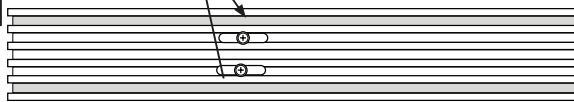
3

Front
Passenger side shown
Repeat for opposite side



Install square bolts into the shaded outer channels. One (1) bolt in each channel per bracket to attach boards.

4



5

Attach boards to brackets. Tighten all Fasteners.

