

Installation Instructions

LUND Lund EZ Bracket™

For proper installation and best possible fit, please read all instructions BEFORE you begin.

Important Safety Information



WARNING

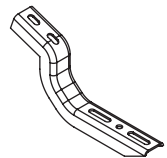
- To be used with Lund® branded products only.
- Do not stand on Lund [running board](#) or bracket while vehicle is in motion.
- Do not exceed 350 lbs. weight on the Lund bracket system.
- Do not use the brackets as a jacking point for the vehicle.
- Do not use the bracket system or running boards to fasten cargo.
- Periodically check all components for tightness.



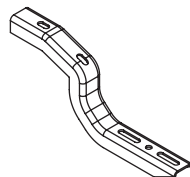
CAUTION

- Be sure to wear safety glasses while installing brackets.
- When using power tools, read and understand all operating instructions.

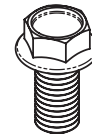
Contents



Bracket (M-1200)
X6



Bracket (M-1201)
X2

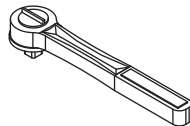


Flange Bolt
(M8-1.25 x 20mm)
X16

Tools Required



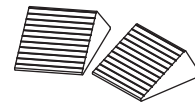
Safety Glasses



Ratchet



13mm Socket



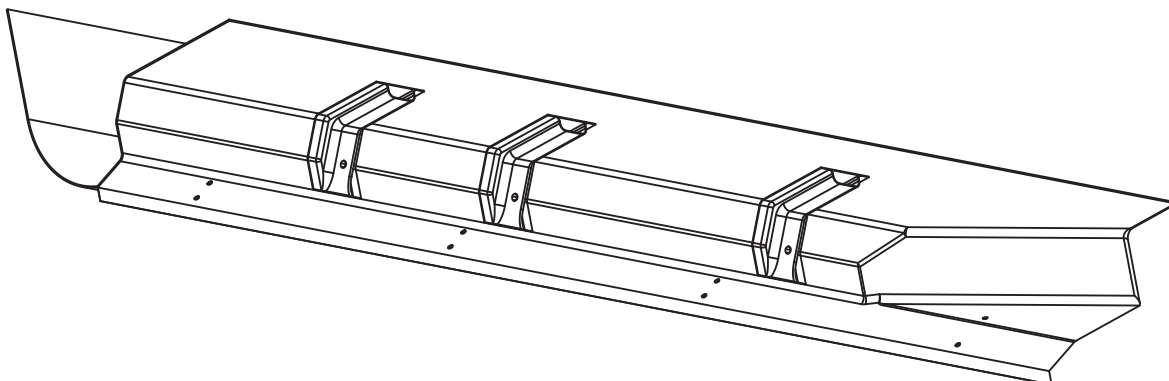
Wheel Chocks

Preparation Before Installation

1. Park your vehicle in a clean, level location. Check to make sure the vehicle is in park, or for manual drive models, place the transmission in first gear. Engage the parking brake.
2. Chock one wheel on both sides with wheel chocks.
3. Unpack the bracket kit and identify the parts according to the content descriptions above.

Installation Steps

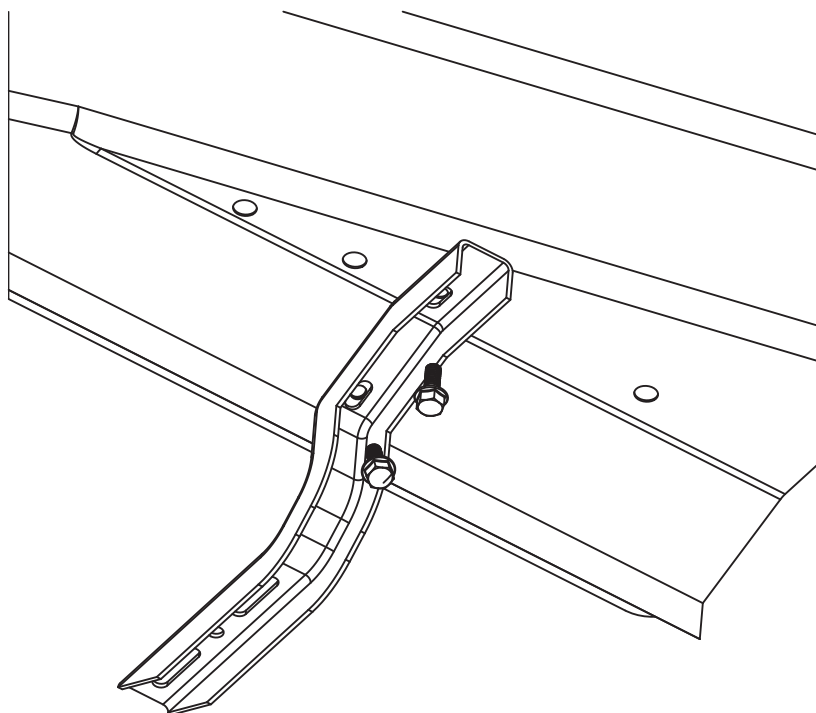
Front 
Driver's side shown



Identify the mounting locations for each bracket by looking under the vehicle and finding two sets of holes in the inner rocker panel.

1

Front 
Driver's side shown
Repeat for opposite side

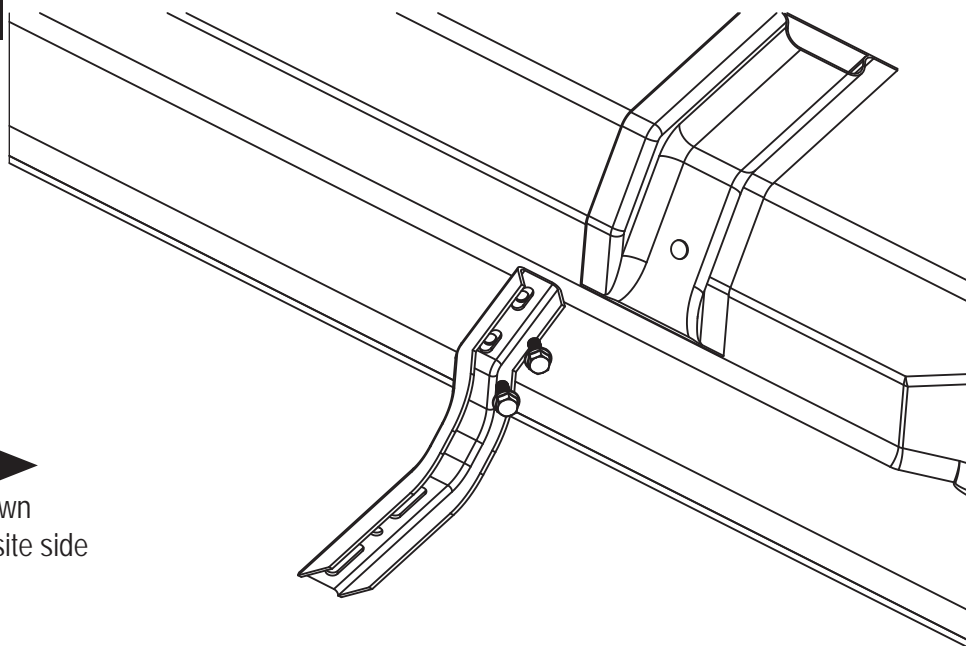


Begin bracket installation by aligning M-1201 bracket with forward set of holes in rocker panel. Insert flange bolt through each hole in bracket and thread into rocker panel. Repeat for opposite side.

2

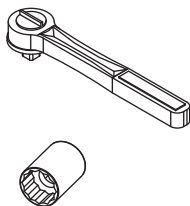
Installation Steps

Front 
Driver's side shown
Repeat for opposite side



Complete bracket installation by aligning M-1200 bracket with holes in rocker panel. Insert flange bolt through each hole in bracket and thread into rocker panel. Finger tighten bolts.

3



Install running board to brackets using hardware provided in board kit. Refer to board installation sheet for specific instructions.

Tighten bracket hardware after board has been installed.

Repeat board installation for opposite side of vehicle.

4

Inspection After Installation

- Periodically check all components for tightness.

Care and Cleaning

- Wash with mild soap and dry with a clean cloth.
- Do not use cleaning solvents of any kind.

Congratulations!

You have purchased one of the many quality Lund® branded products offered by Lund International, Inc. We take the utmost pride in our products and want you to enjoy years of satisfaction from your investment. We have made every effort to ensure that your product is top quality in terms of fit, durability, finish, and ease of installation.

LUND®

