

Installation Instructions

LUND[®] Lund EZ Bracket[™]

For proper installation and best possible fit, please read all instructions BEFORE you begin.

Important Safety Information

⚠ WARNING:

- To be used with Lund branded products only.
- Do not stand on Lund [running board](#) or bracket while vehicle is in motion.
- Do not exceed 350 lbs. weight on the Lund EZ bracket system.
- Do not use the Lund EZ bracket system as a jacking point for vehicle.
- Do not use Lund EZ bracket system or running boards to fasten cargo.
- Periodically check all components for tightness.

⚠ CAUTION:

- Be sure to wear safety glasses while installing Lund EZ bracket system.
- When using power tools read and understand all operating instructions.

Contents

Note: Not all fasteners are used in every kit.



M8-1.25 X 20MM
X8
BLACK



M8-1.25 x 20MM
Thread forming
X8



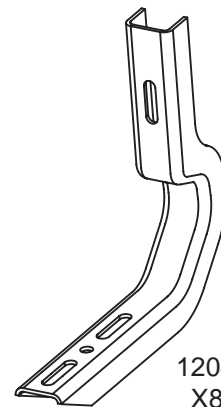
M8-1.25
U-NUT
X4



M8-1.25
X8



M8
X16



1204
X8

Tools Required



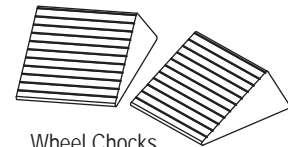
Socket Set
Metric



Wrench Set
Metric



Safety Glasses



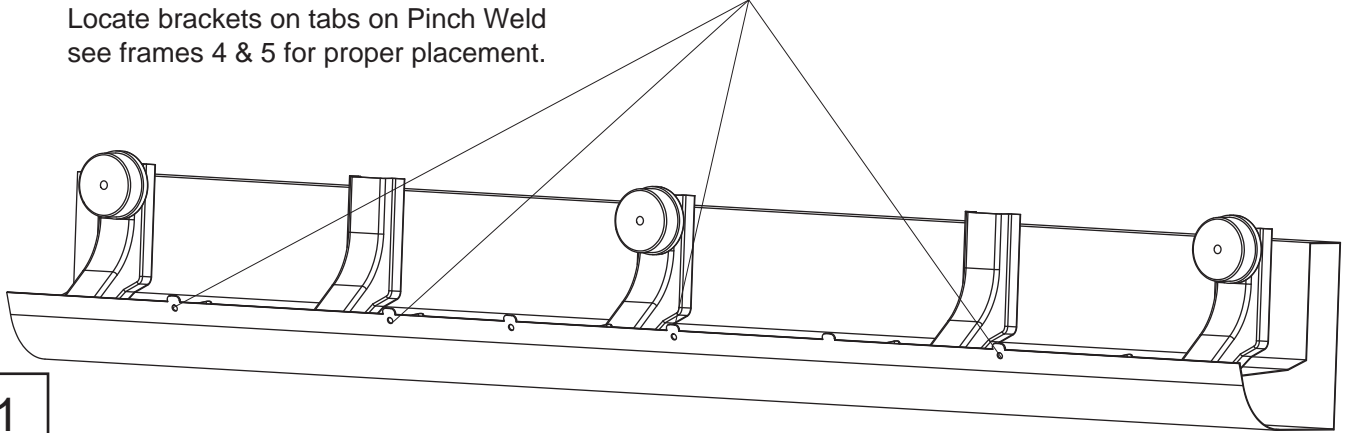
Wheel Chocks

Preparation Before Installation

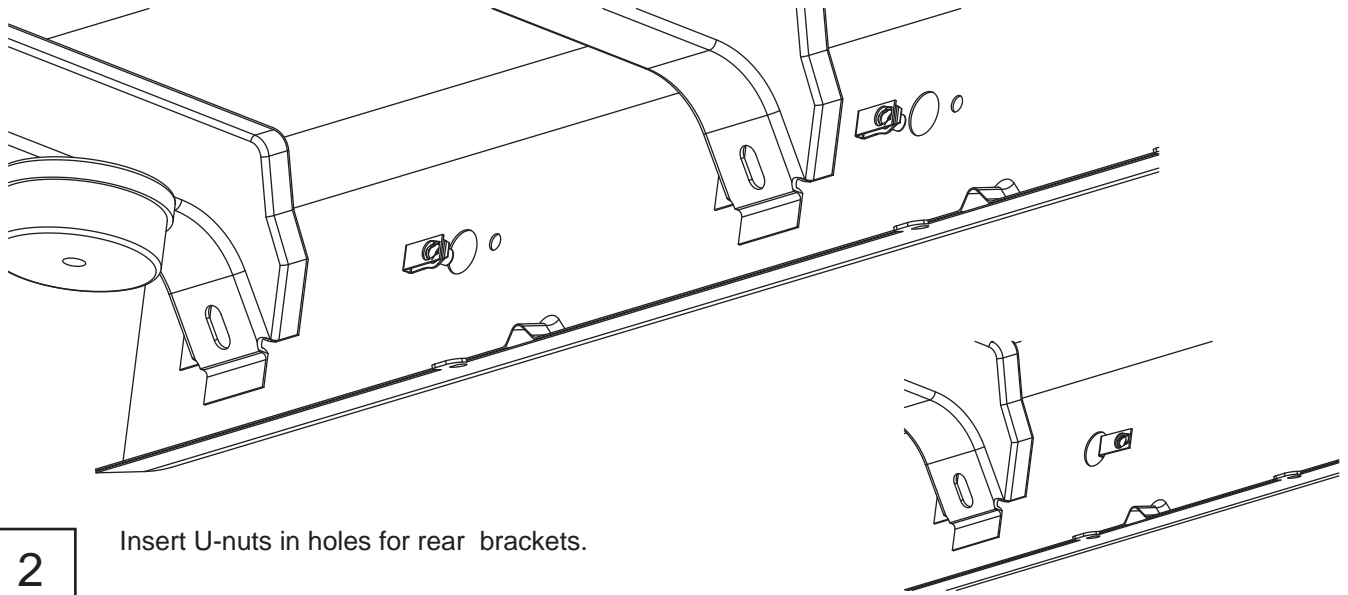
1. Park your vehicle in a clean, level location. Check to make sure the vehicle is in park, or for manual drive models, place the transmission in first gear. Engage the parking brake.
2. Chock one wheel on both sides with wheel chocks.
3. Unpack the bracket kit and identify the parts according to the content descriptions above.

Installation Steps

Locate brackets on tabs on Pinch Weld
see frames 4 & 5 for proper placement.

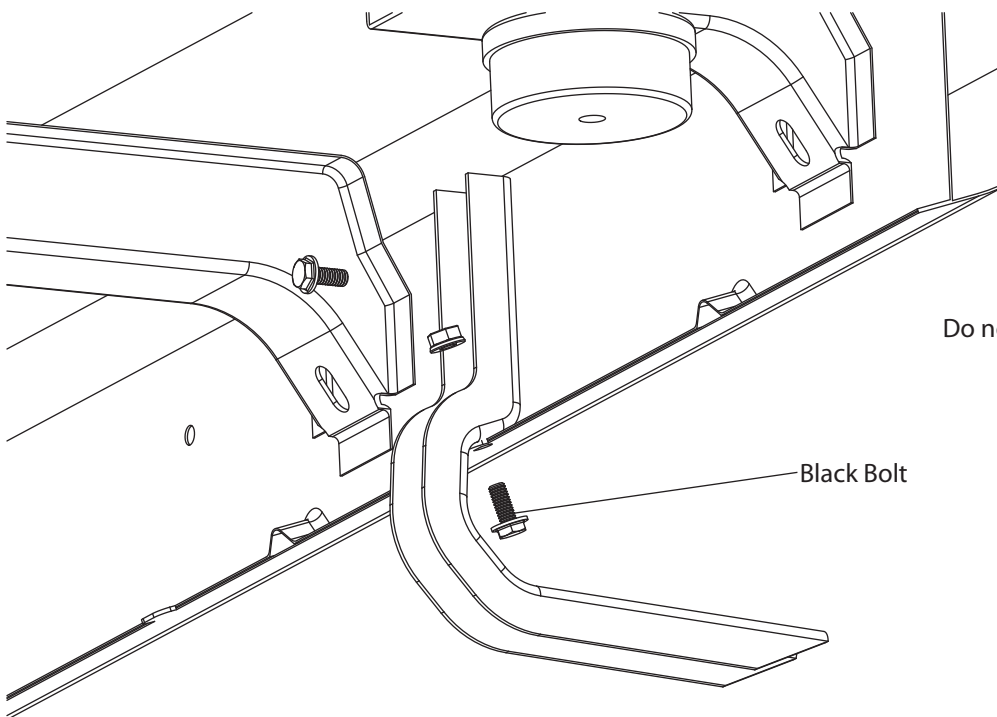


1



Insert U-nuts in holes for rear brackets.

2




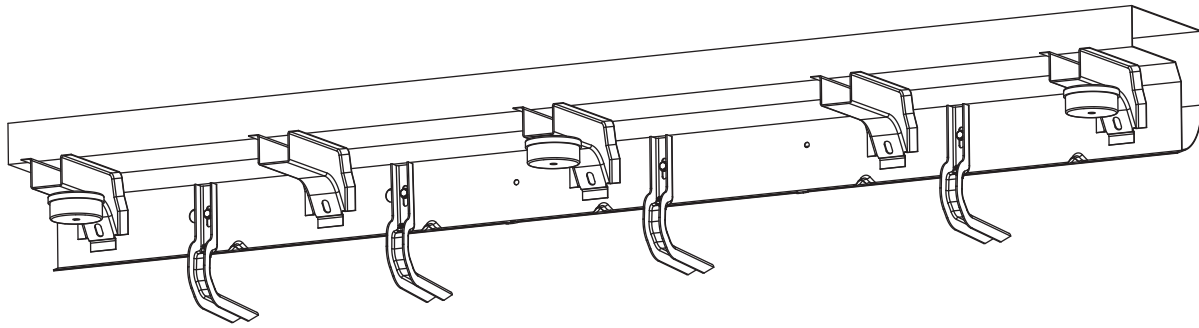
Do not tighten bolts.

Black Bolt

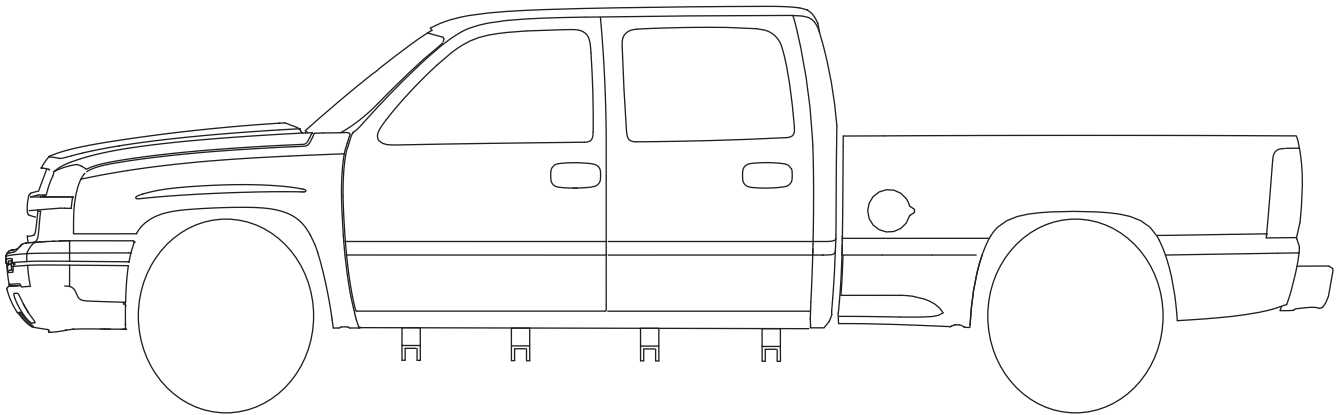
3

Installation Steps

Front Drivers Side 
Repeat for Passenger side



4



5

Use washers to shim brackets or running board where needed.

Leave bolts loose to aid in the installation of the Running Board to the brackets. Refer to Running Board instruction sheet for board installation.

Inspection After Installation

1. Inspect all bolt and nuts for proper tightness.

Care and Cleaning

1. Wash with mild soap and water.

Congratulations!

You have purchased one of the many quality Lund® branded products offered by Lund International, Inc. We take the utmost pride in our products and want you to enjoy years of satisfaction from your investment. We have made every effort to ensure that your product is top quality in terms of fit, durability, finish, and ease of installation.

LUND®

