

Installation Instructions

LUND[®] Lund EZ Bracket[™]

Important Safety Information

**WARNING:**

- To be used with Lund branded products only.
- Do not stand on Lund [running board](#) or bracket while vehicle is in motion.
- Do not exceed 350 lbs. weight on the Lund EZ bracket system.
- Do not use the Lund EZ bracket system as a jacking point for vehicle.
- Do not use Lund EZ bracket system or running boards to fasten cargo.
- Periodically check all components for tightness.

**CAUTION:**

- Be sure to wear safety glasses while installing Lund EZ bracket system.
- When using power tools read and understand all operating instructions.

Contents



M8-1.25 X 20MM
X12
BLACK



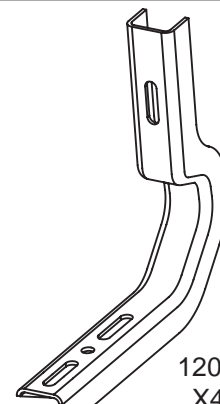
M8-1.25
U-NUT
X6



M8-1.25
X6



M8
X12



1204
X4

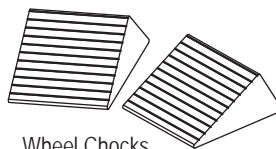
Tools Required



Socket Set
Metric



Wrench Set
Metric



Wheel Chocks



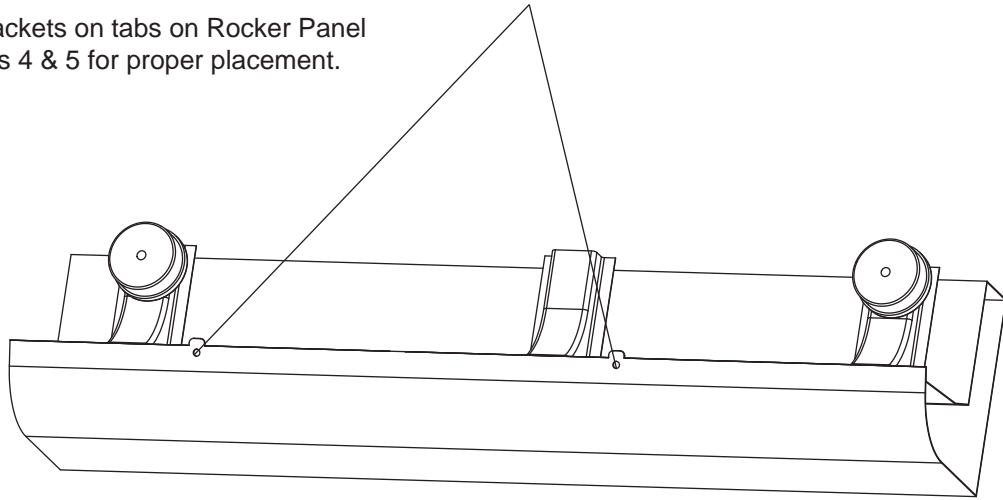
Safety Glasses

Preparation Before Installation

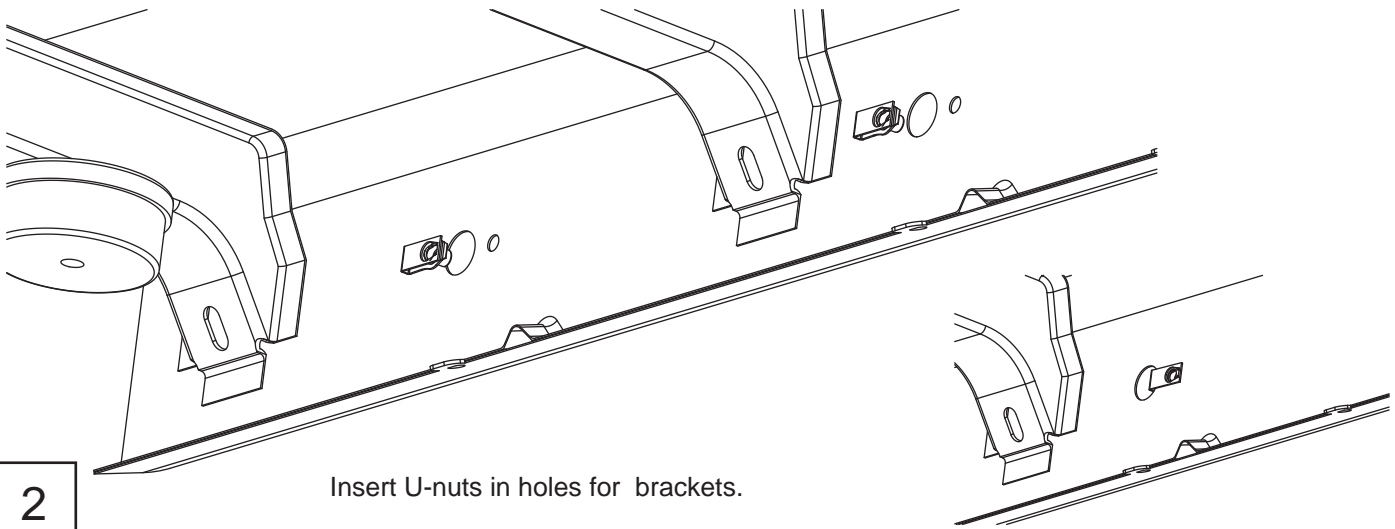
1. Park your vehicle in a clean, level location. Check to make sure the vehicle is in park, or for manual drive models, place the transmission in first gear. Engage the parking brake.
2. Chock one wheel on both sides with wheel chocks.
3. Unpack the bracket kit and identify the parts according to the content descriptions above.

Installation Steps

Locate brackets on tabs on Rocker Panel
see frames 4 & 5 for proper placement.

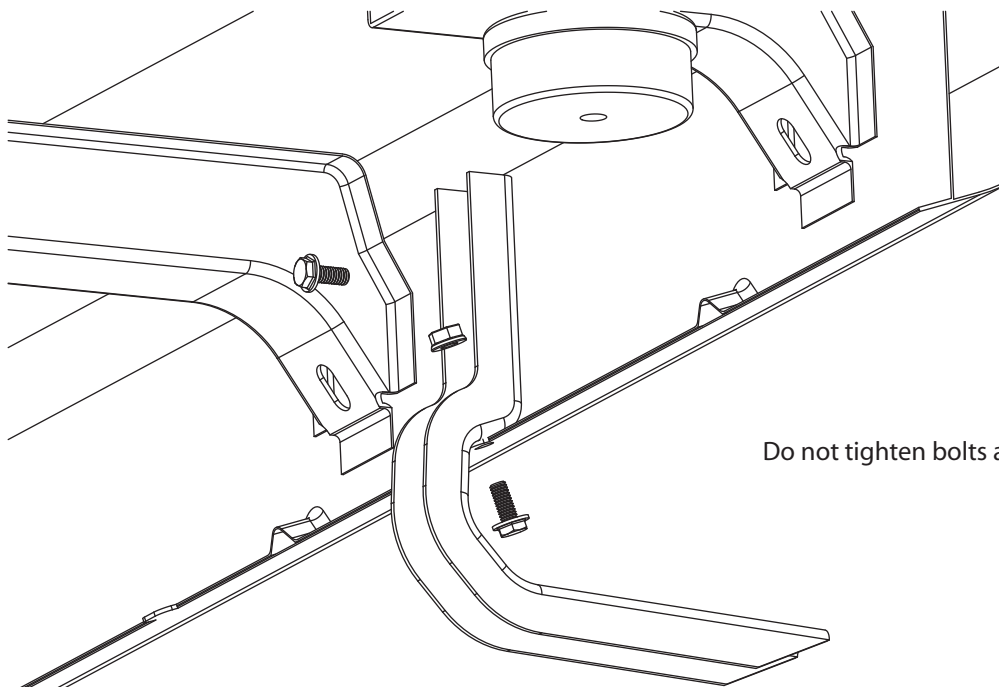


1



Insert U-nuts in holes for brackets.

2

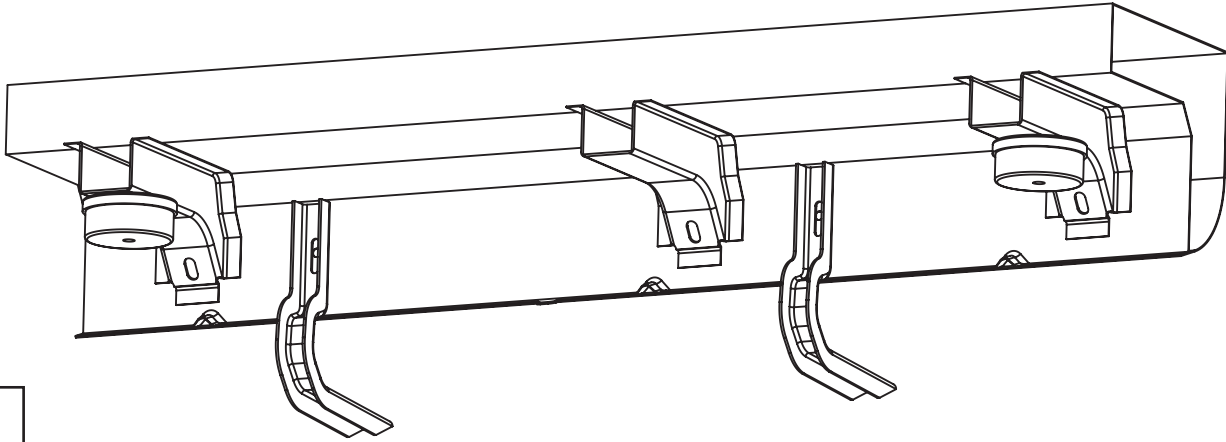


Do not tighten bolts at this time.

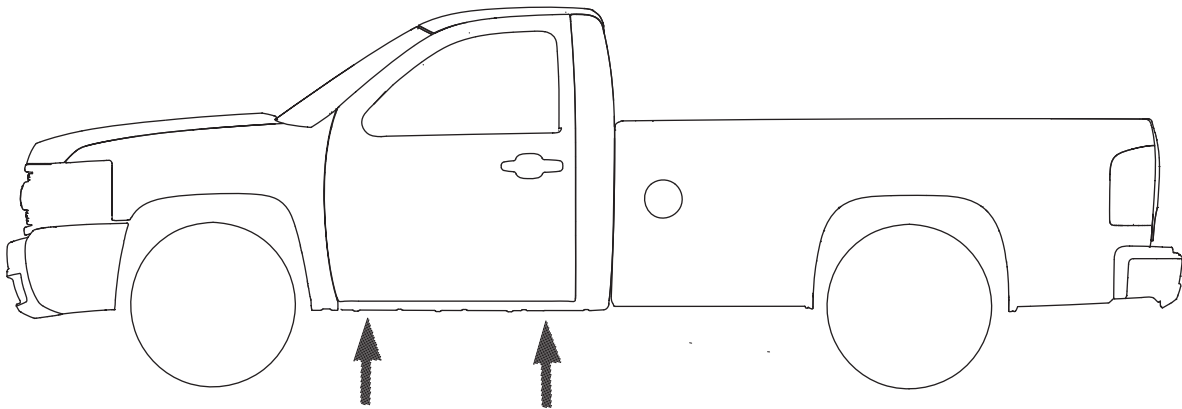
3

Installation Steps

Front Drivers Side
Repeat for Passenger side



4



5

Leave bolts loose to aid in the installation of the Running Board to the brackets. Refer to Running Board instruction sheet for board installation.

Inspection After Installation

1. Inspect all bolt and nuts for proper tightness.

Care and Cleaning

1. Wash with mild soap and water.

Congratulations!

You have purchased one of the many quality Lund® branded products offered by Lund International, Inc. We take the utmost pride in our products and want you to enjoy years of satisfaction from your investment. We have made every effort to ensure that your product is top quality in terms of fit, durability, finish, and ease of installation.

LUND®

