

Installation Instructions

I-Sheet Number 10342 Rev. C

LUND®

Lund EZ Bracket™

For proper installation and best possible fit, please read all instructions **BEFORE** you begin.

Important Safety Information

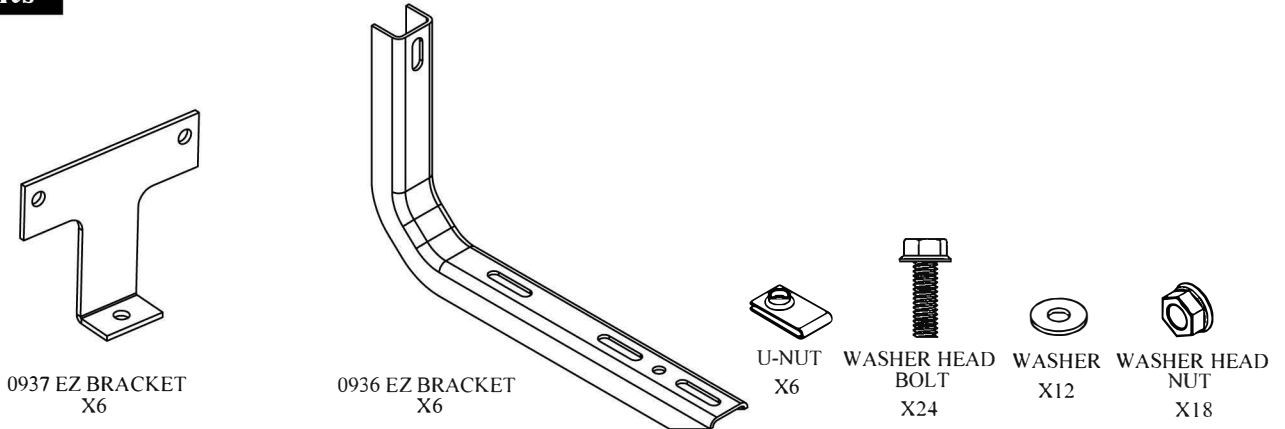
 **WARNING**

- To be used with Lund branded products only.
- Do not stand on Lund [running board](#) or bracket while vehicle is in motion.
- Do not exceed 350lbs. weight on the Lund EZ bracket system.
- Do not use the Lund EZ bracket system as a jacking point for vehicle.
- Do not use Lund EZ bracket system or running boards to fasten cargo.
- Periodically check all components for tightness.

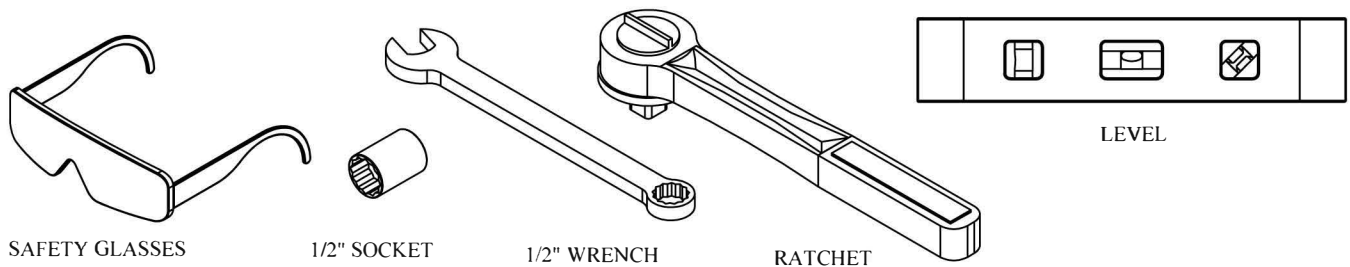
 **CAUTION**

- Be sure to wear safety glasses while installing Lund EZ bracket system.
- When using power tools read and understand all operating manuals.

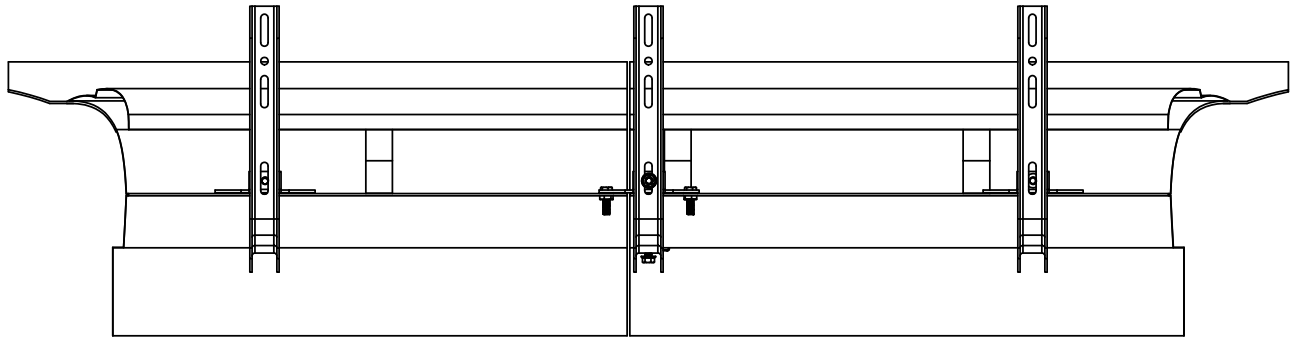
Contents



Tools Required

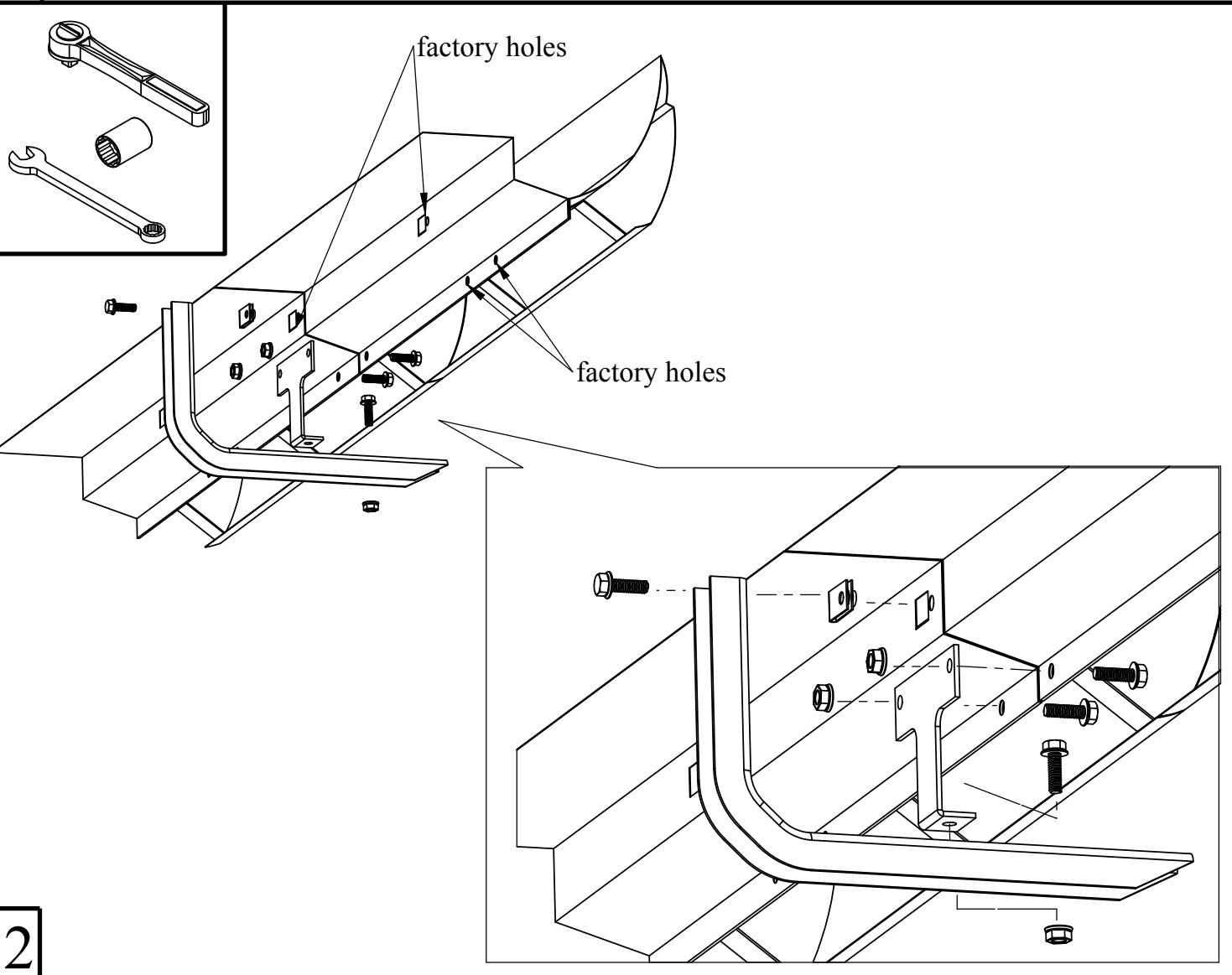


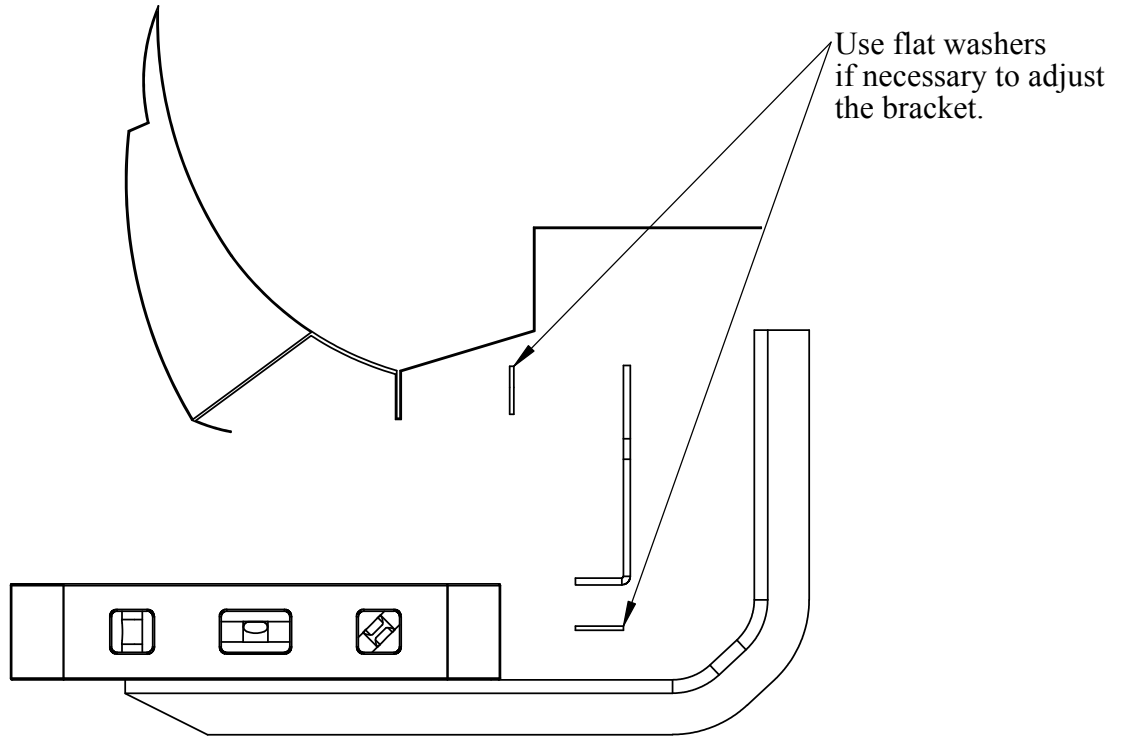
← front



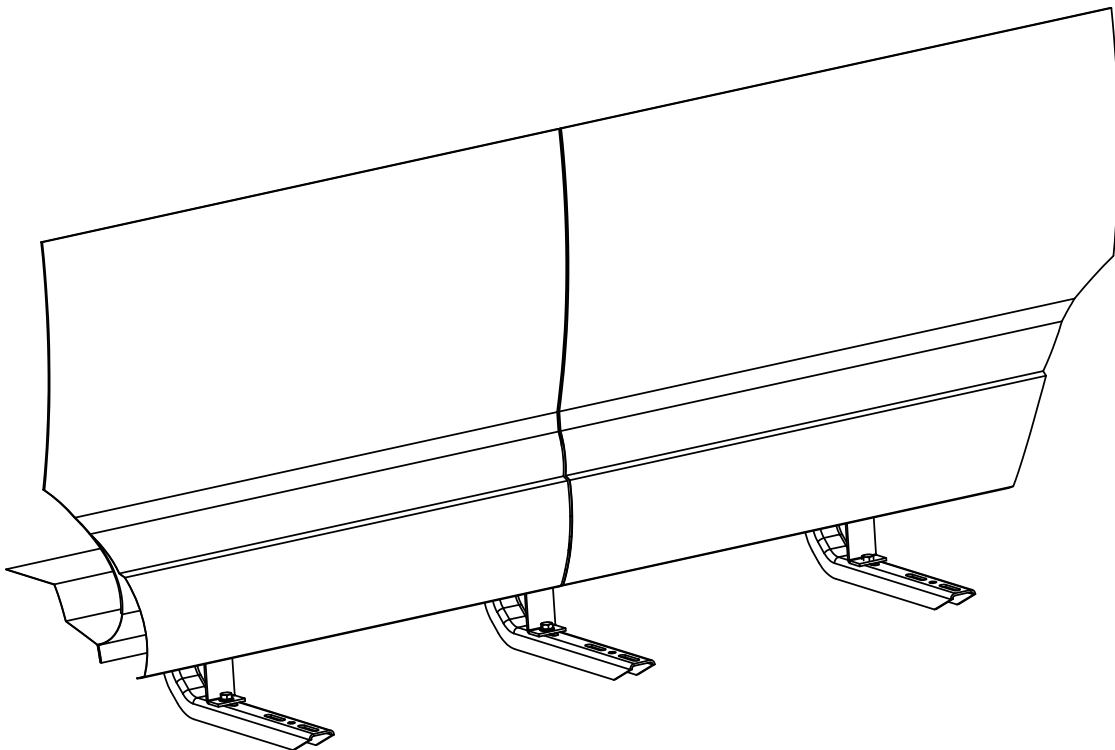
1

Driver side, bottom view





3



4