

Installation Instructions

LUND®

Lund EZ Bracket™

Important Safety Information



WARNING

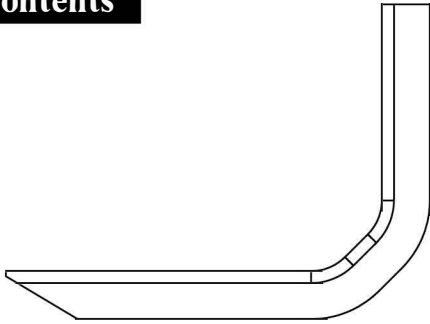
- **To be used with Lund branded products only.**
- Do not stand on Lund [running board](#) or bracket while vehicle is in motion.
- Do not exceed 350lbs. weight on the Lund EZ bracket system.
- Do not use the Lund EZ bracket system as a jacking point for vehicle.
- Do not use Lund EZ bracket system or running boards to fasten cargo.
- Periodically check all components for tightness.



CAUTION

- Be sure to wear safety glasses while installing Lund EZ bracket system.
- When using power tools read and understand all operating instructions.

Contents



0949
EZ Bracket
X6

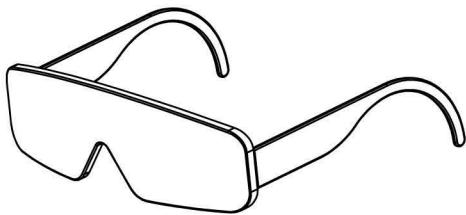


Flat Washer
X12



Hex Nut
X12

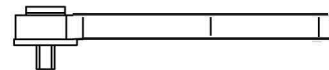
Tools Required



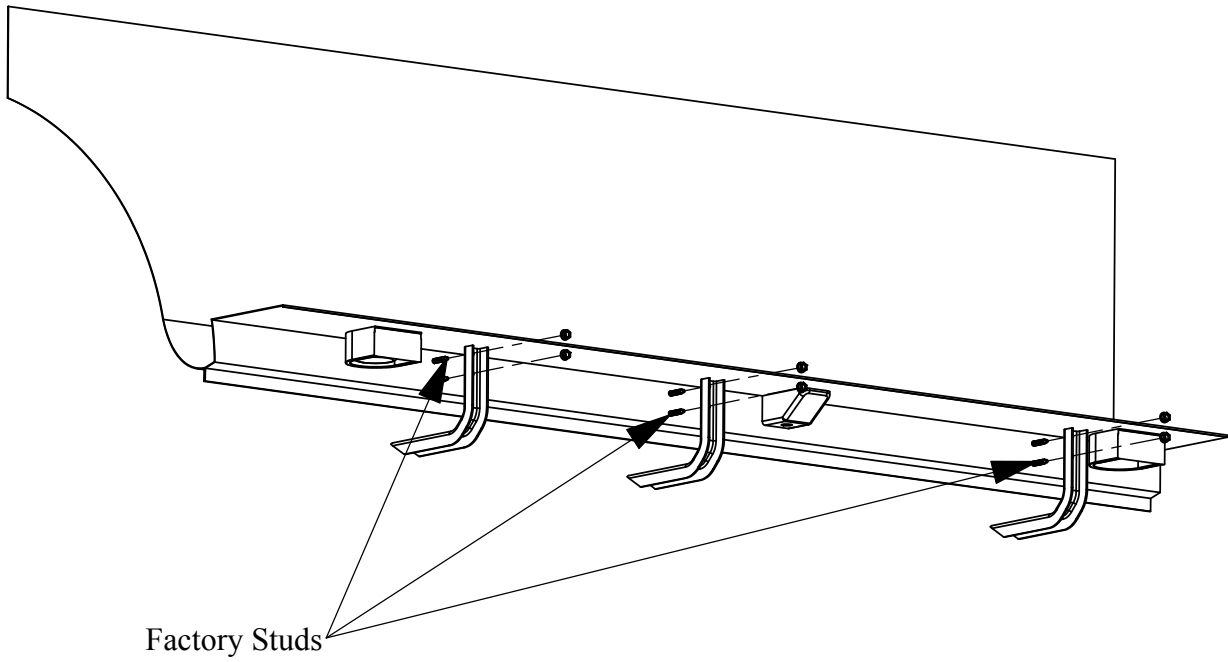
Safety Glasses



13MM Socket

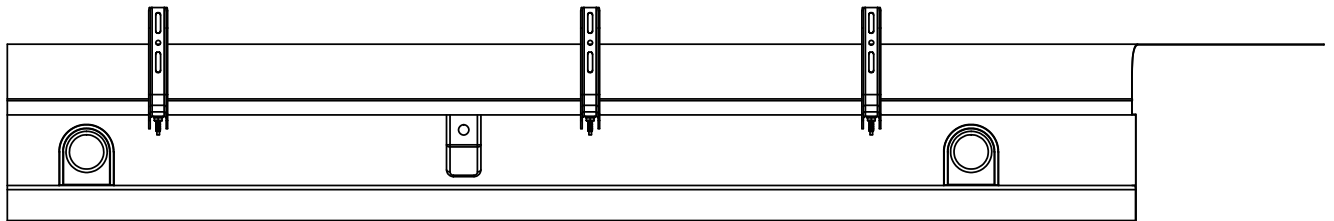


Ratchet



1

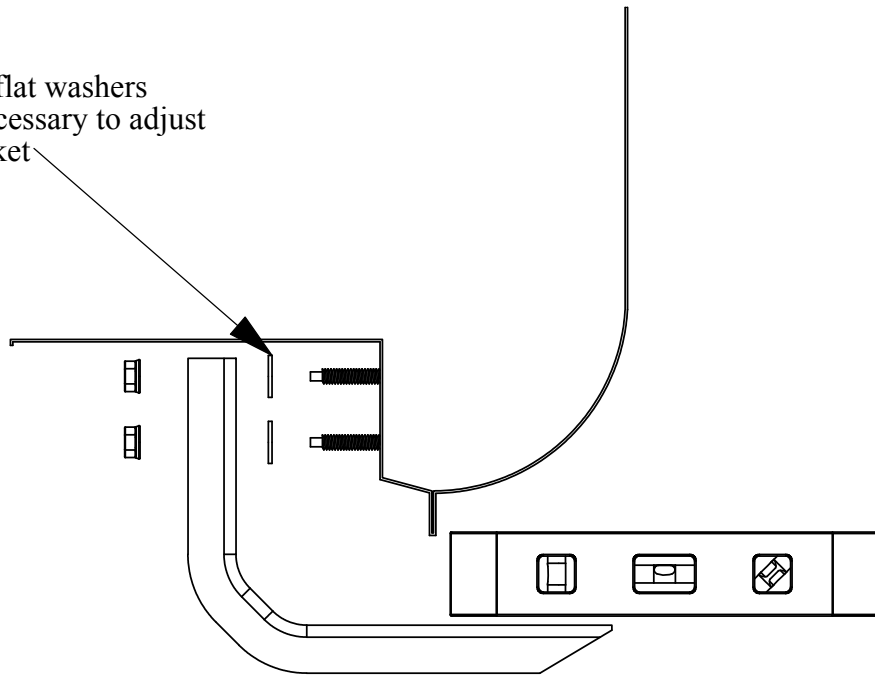
Bottom View Front 



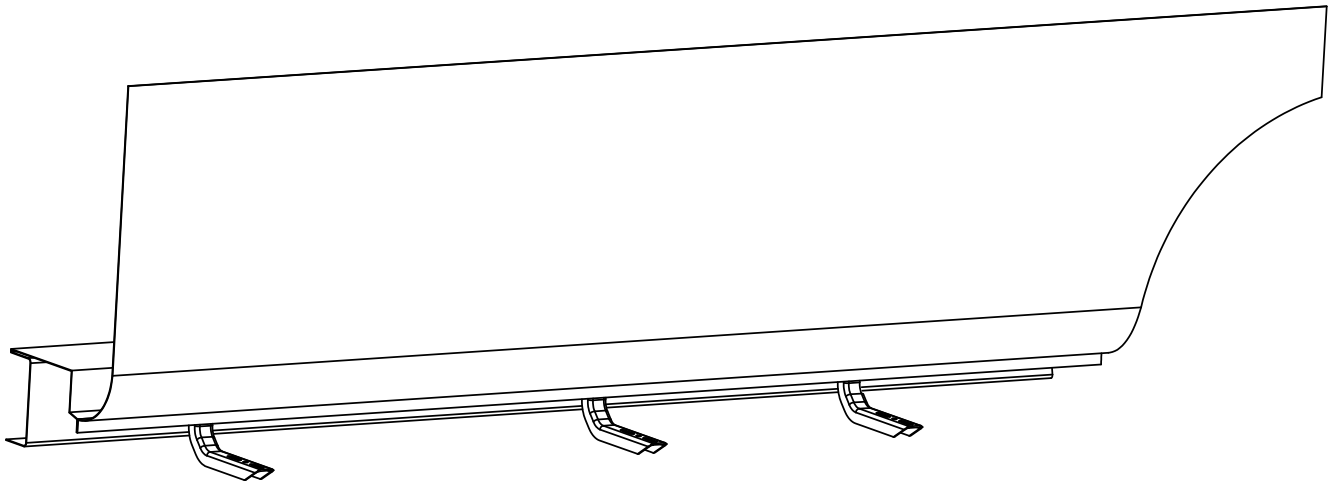
Passenger Side

2

Use flat washers
if necessary to adjust
bracket



3



4