

## Installation Instructions

# LUND®

## LUND EZ Bracket™

### Important Safety Information



#### WARNING

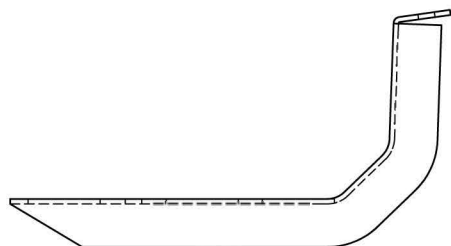
- To be used with Lund branded products only.
- Do not stand on Lund [running board](#) or bracket while vehicle is in motion.
- Do not exceed 350lbs. weight on the Lund EZ bracket system.
- Do not use the Lund EZ bracket system as a jacking point for vehicle.
- Do not use Lund EZ bracket system or running boards to fasten cargo.
- Periodically check all components for tightness.



#### CAUTION

- Be sure to wear safety glasses while installing Lund EZ bracket system.
- When using power tools read and understand all operating instructions.

### Contents



0943  
EZ Bracket  
X6



0944  
Support Angle  
X6



Washer Head Nut  
X12



Washer Head Bolt  
X12



Flat Washer  
X12

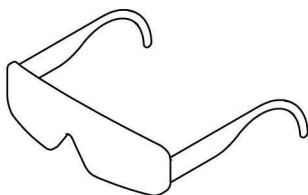


Thread Cutter Bolt  
X6

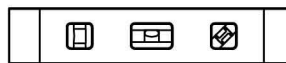
### Tools Required



Wrench  
1/2"



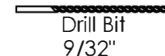
Safety Glasses



Level



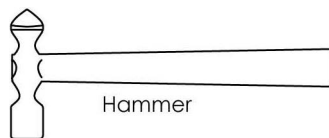
Drill Bit  
11/32"



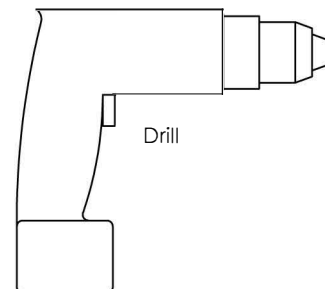
Drill Bit  
9/32"



Ratchet



Hammer



Drill

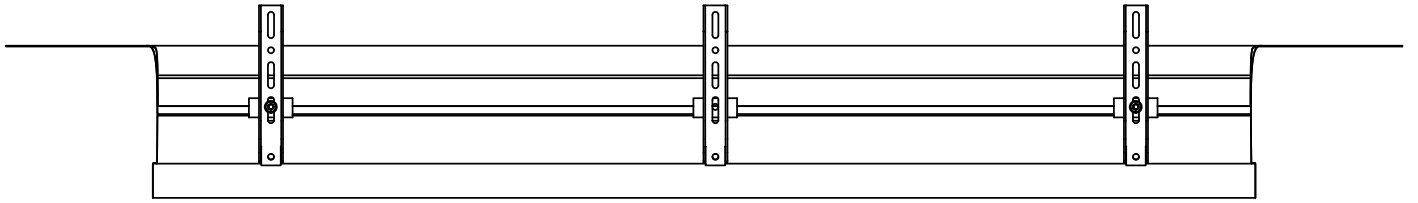


Socket  
1/2"



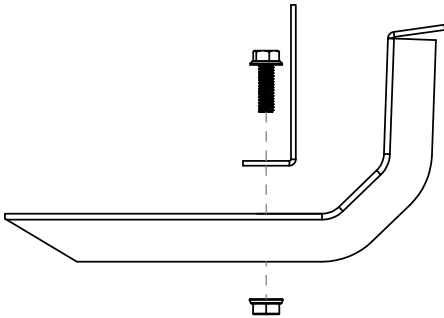
Center Punch

Bottom View Front 

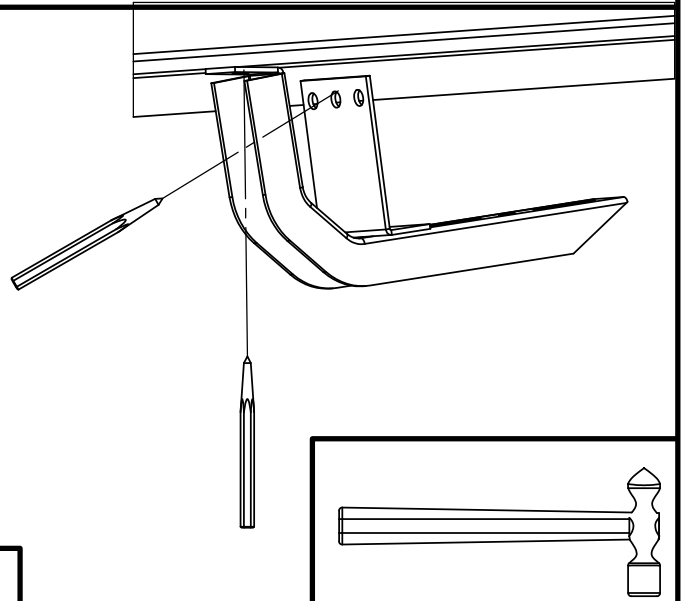


Drivers Side

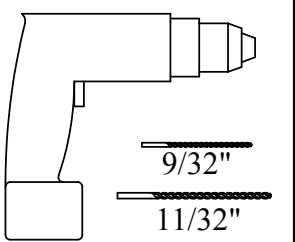
1



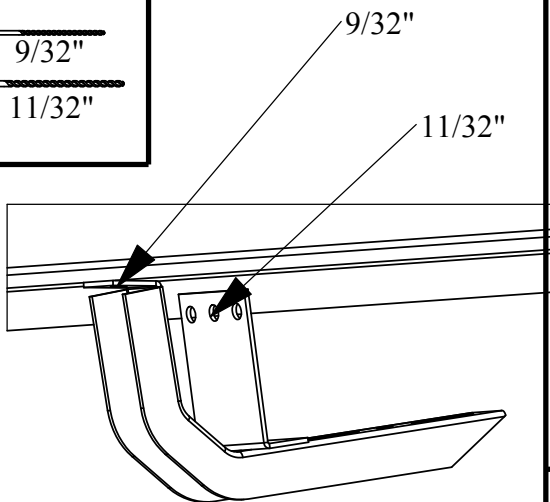
2



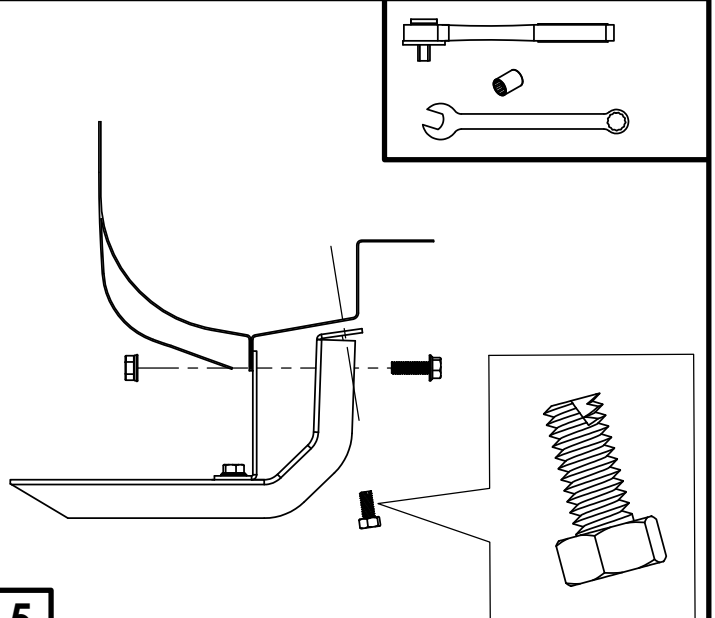
3



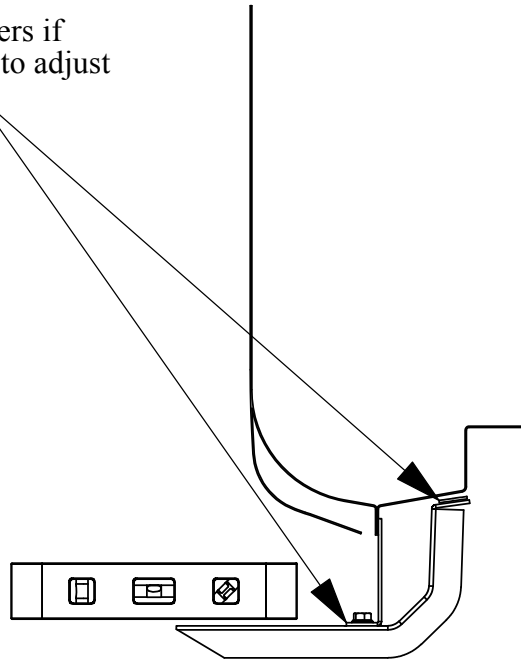
4



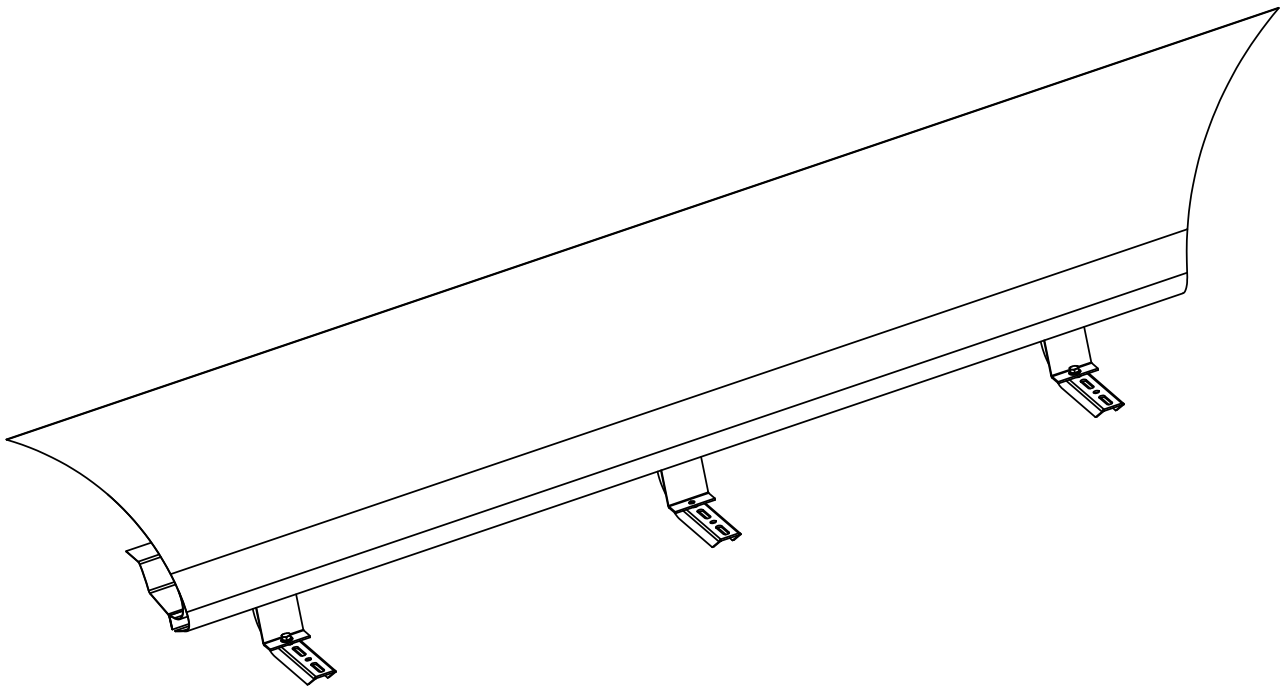
5



Add washers if necessary to adjust bracket.



6



7