

Installation Instructions

I-Sheet Number 10344 Rev. B

LUND®

Lund EZ Bracket™

Important Safety Information



WARNING

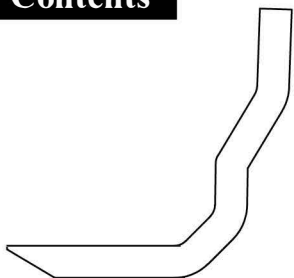
- To be used with Lund branded products only.
- Do not stand on Lund [running board](#) or bracket while vehicle is in motion.
- Do not exceed 350lbs. weight on the Lund EZ bracket system.
- Do not use the Lund EZ bracket system as a jacking point for vehicle.
- Do not use Lund EZ bracket system or running boards to fasten cargo.
- Periodically check all components for tightness.



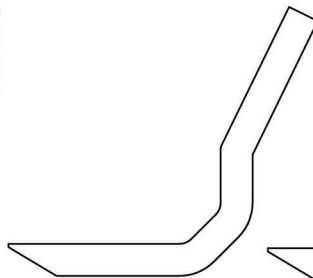
CAUTION

- Be sure to wear safety glasses while installing Lund EZ bracket system.
- When using power tools read and understand all operating instructions.

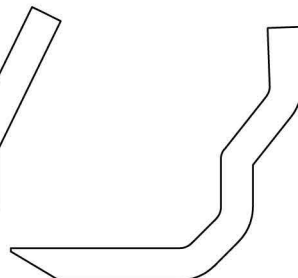
Contents



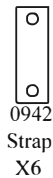
0938
Front
X2



0940
Center
X2



0941
Rear
X2



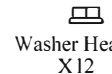
0942
Strap
X6



Thread Cutter Bolt
X6



Flat Washer
X12

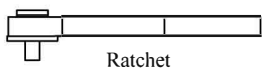


Washer Head Nut
X12

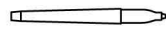


Washer Head Bolt
X12

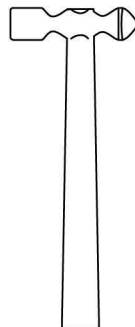
Tools Required



Ratchet



Marker



Hammer



Center Punch



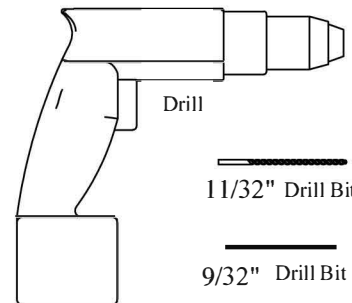
Wrench
1/2"



Tape Measure



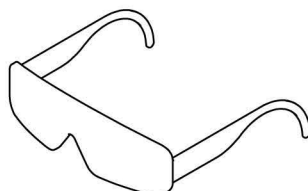
Level



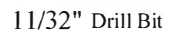
Drill



Socket
1/2"



Safety Glasses

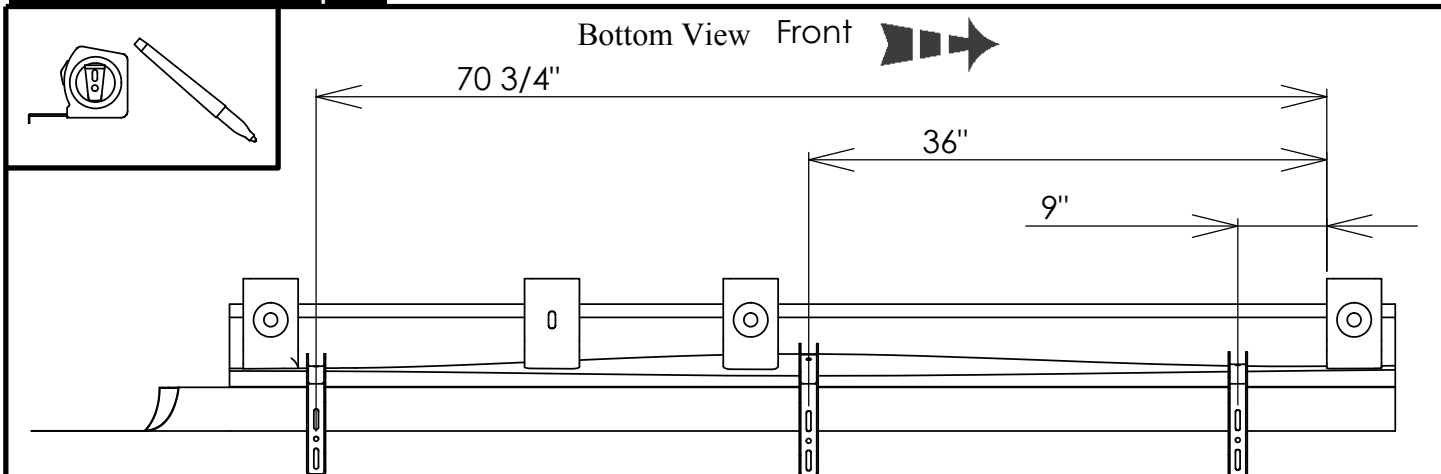


11/32" Drill Bit



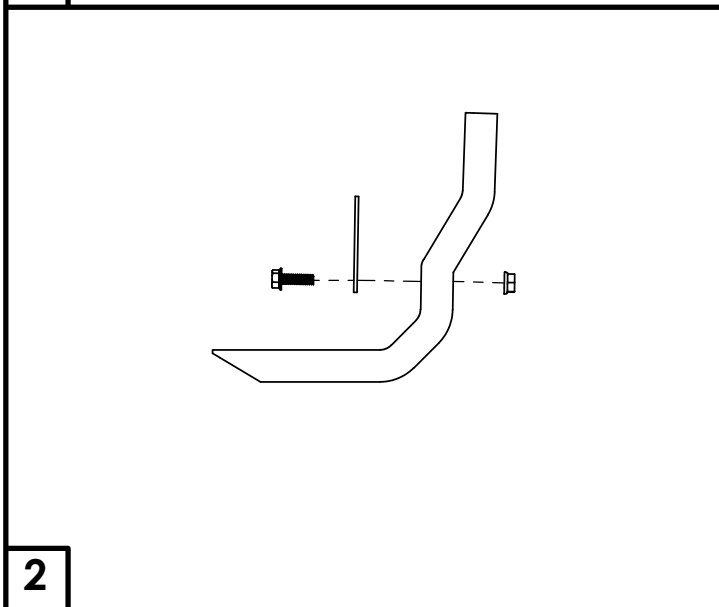
9/32" Drill Bit

Installation Steps

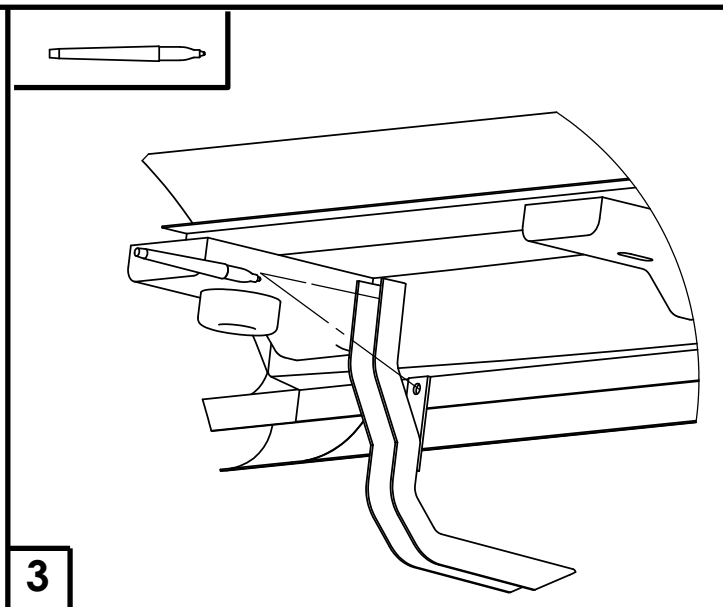


1

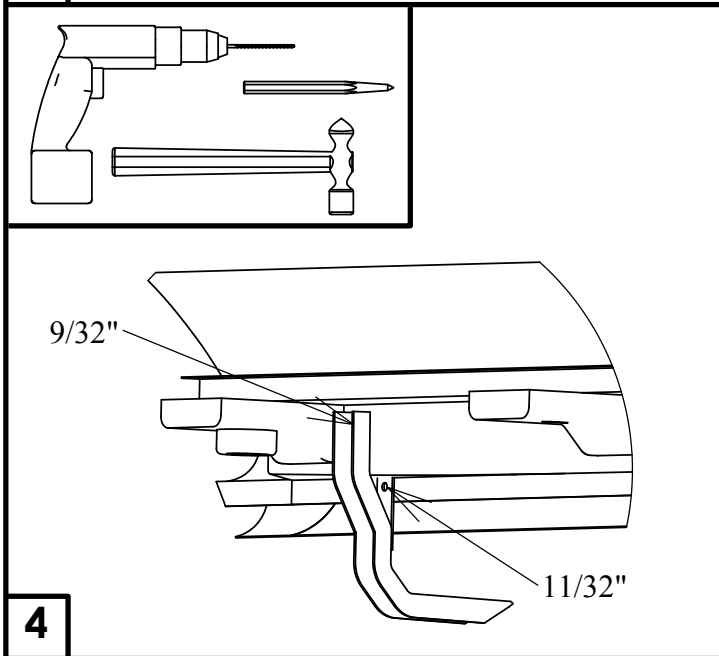
Drivers side view



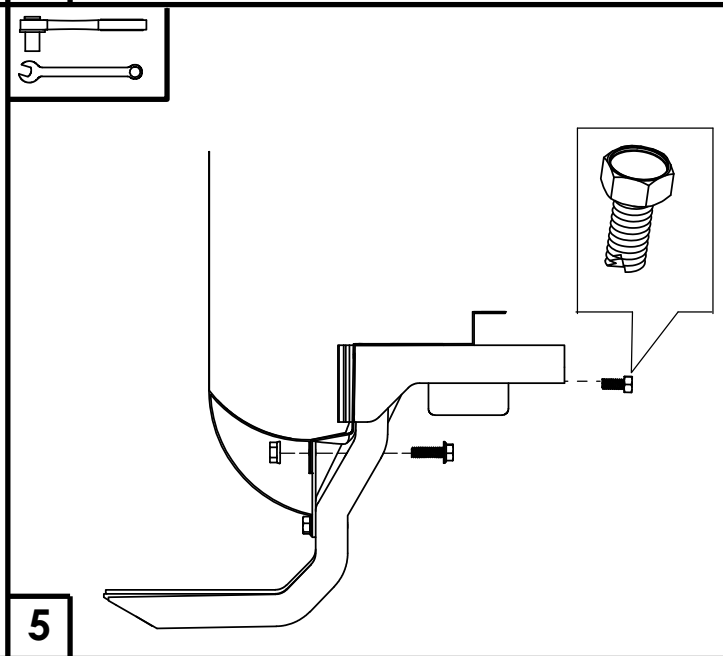
2



3

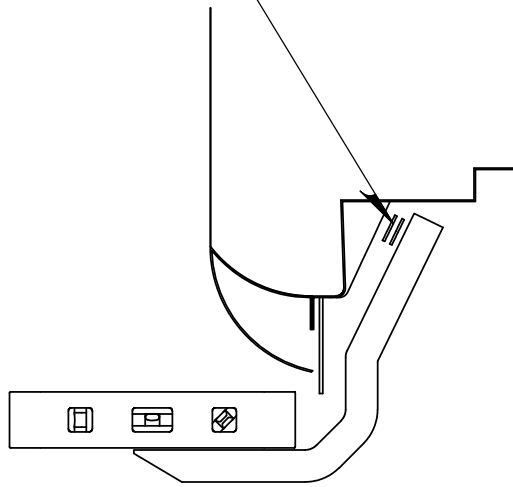


4

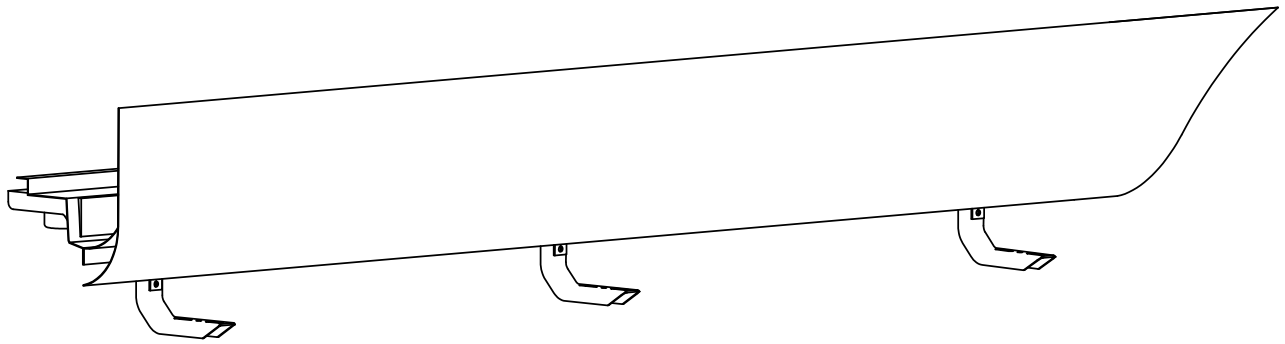


5

Use flat washers
if necessary to adjust
bracket.



6



7