

## Installation Instructions

# LUND®

### Important Safety Information

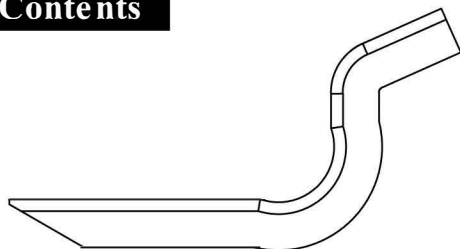
#### ⚠ WARNING

- To be used with Lund branded products only .
- Do not stand on Lund [running board](#) or bracket while vehicle is in motion .
- Do not exceed 350lbs. weight on the Lund EZ bracket system.
- Do not use the Lund EZ bracket system as a jacking point for vehicle .
- Do not use Lund EZ bracket system or running boards to fasten cargo.
- Periodically check all components for tightness .

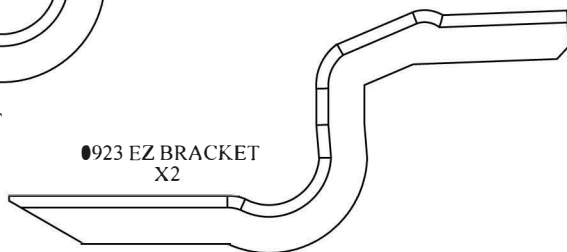
#### ⚠ CAUTION

- Be sure to wear safety glasses while installing Lund EZ bracket system.
- When using power tools read and understand all operating manuals.

### Contents



0924 EZ BRACKET  
X4



0923 EZ BRACKET  
X2

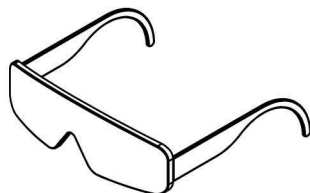


WASHER HEAD  
BOLT  
X12



WASHER  
X12

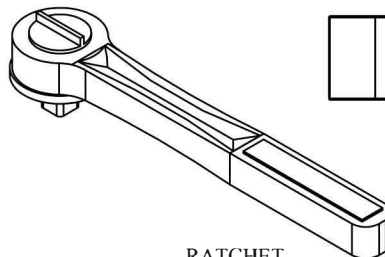
### Tools Required



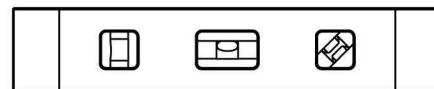
SAFETY GLASSES



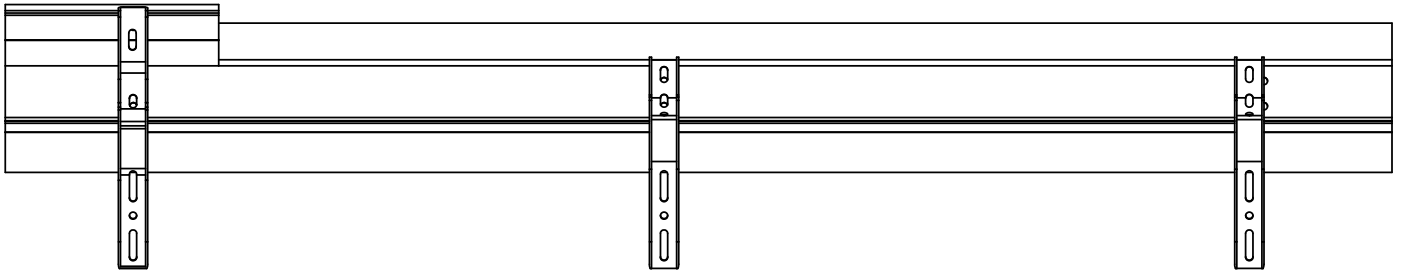
13MM



RATCHET

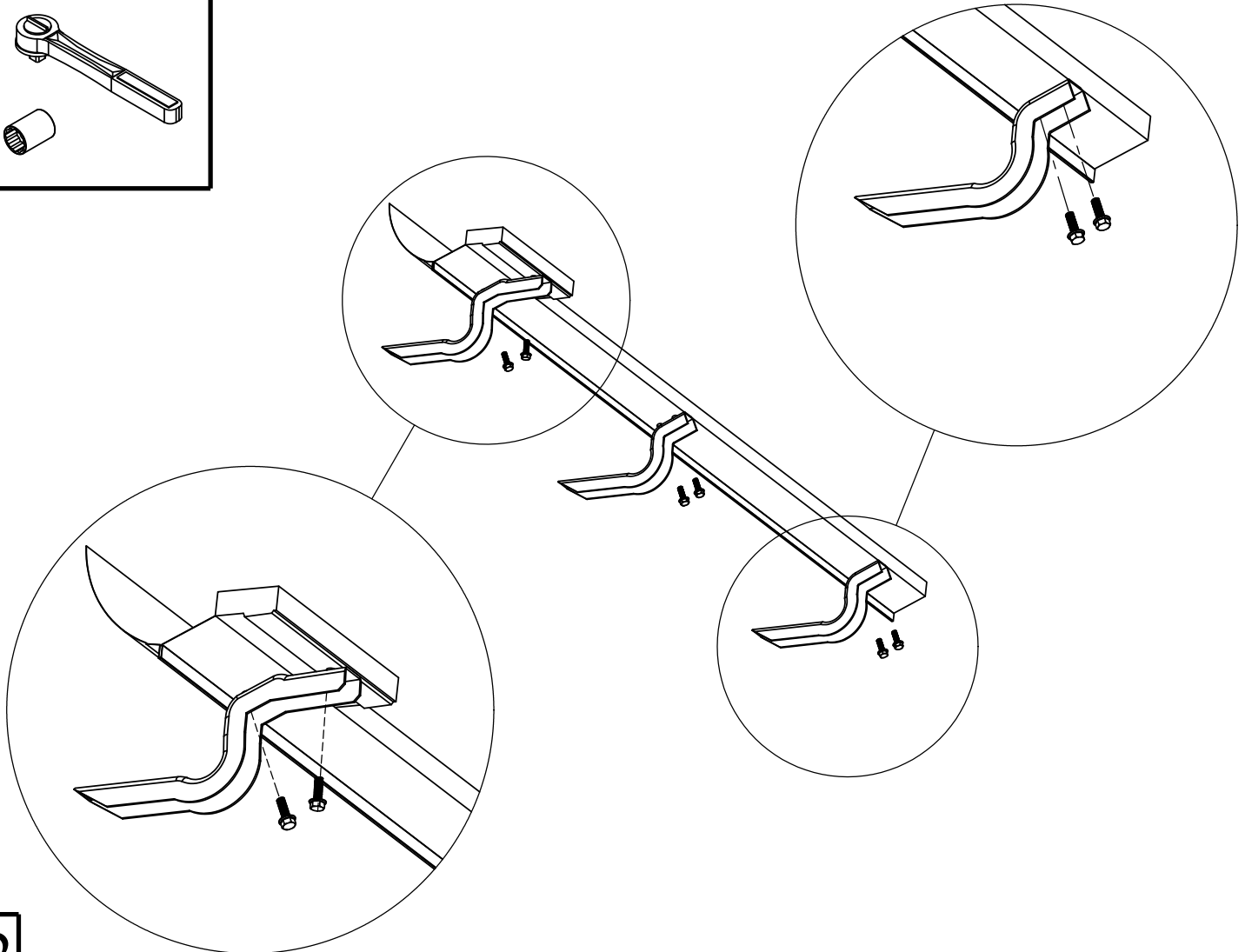
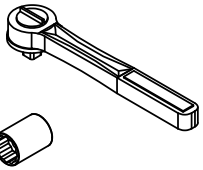


LEVEL

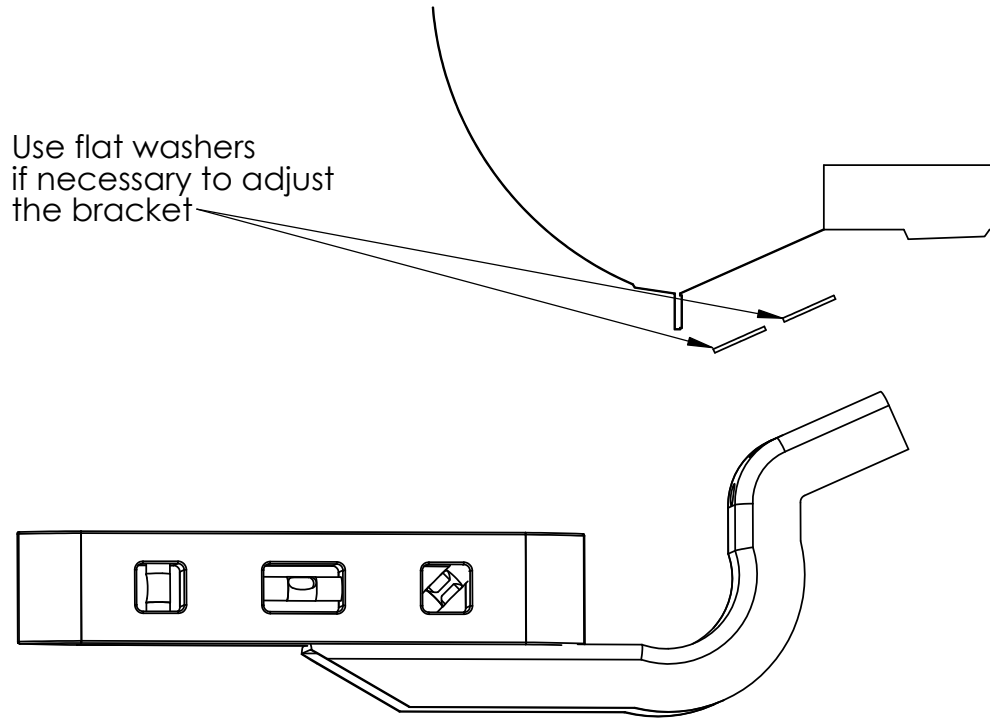


1

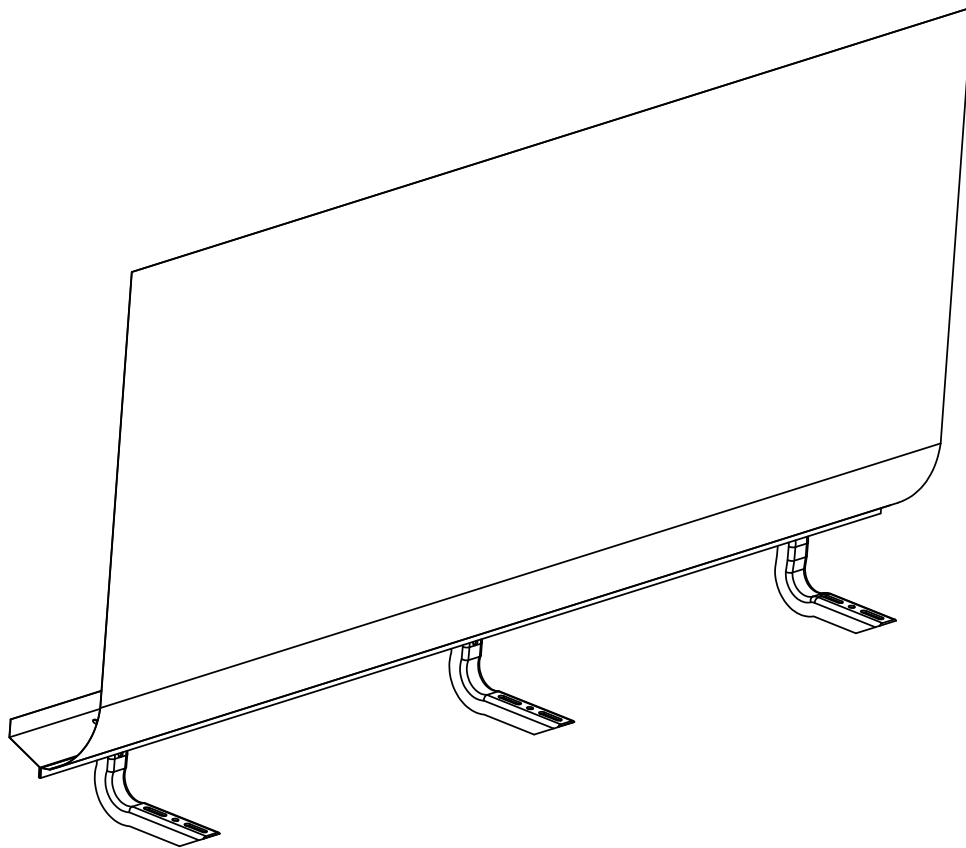
Passenger side, bottom view



2



3



4